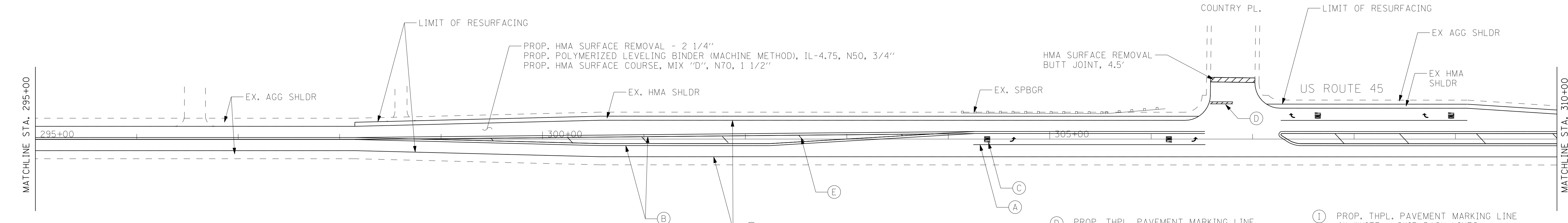
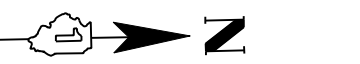
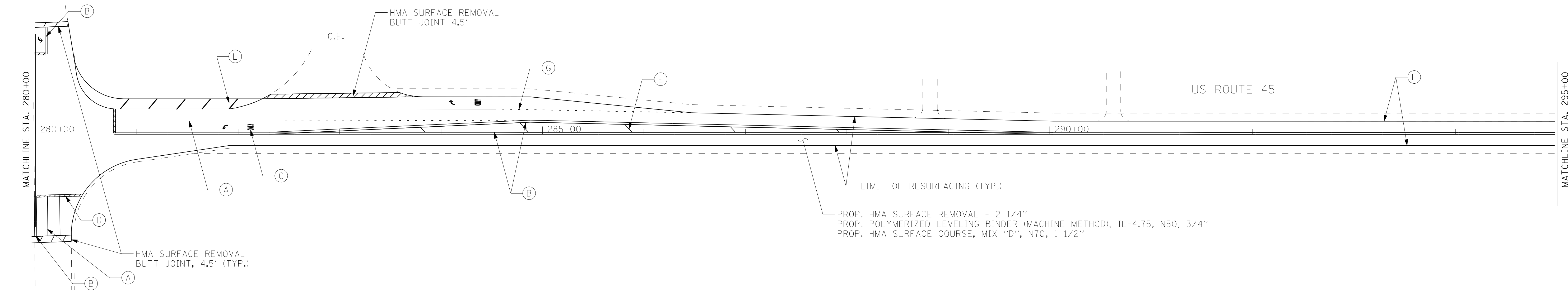


STEARNS SCHOOL RD.



- (A) PROP. THPL. PAVEMENT MARKING LINE
6" WHITE - TURN LANE LINE (TYP)
- (B) PROP. THPL. PAVEMENT MARKING LINE
2 @ 4" YELLOW - 11" C-C (TYP)
- (C) 8" WHITE - LETTERS AND SYMBOLS (TYP)
(LEFT TURN ONLY, RIGHT TURN ONLY)
- (D) PROP. THPL. PAVEMENT MARKING LINE
24" WHITE SOLID LINE - STOP LINE (TYP)
- (E) PROP. THPL. PAVEMENT MARKING LINE
12" YELLOW - 75' C-C, 45° DIAGONAL (MIN. 5)
- (F) PROP. THPL. PAVEMENT MARKING LINE
4" WHITE - EDGE LINE (TYP)
- (G) PROP. THPL. PAVEMENT MARKING LINE
6" WHITE - DOTTED LINE
2' DASH, 6' SKIP (TYP)
- (H) PROP. THPL. PAVEMENT MARKING LINE
6" WHITE - CROSSWALK LINES (TYP)
- (I) PROP. THPL. PAVEMENT MARKING LINE
4" WHITE - SKIP DASH LINES
10' DASH, 30' SKIP (TYP)
- (J) PROP. THPL. PAVEMENT MARKING LINE
4" SINGLE YELLOW (TYP)
- (K) PROP. THPL. PAVEMENT MARKING LINE
12" WHITE - SCHOOL CROSSWALK LINES (TYP)
- (L) PROP. THPL. PAVEMENT MARKING LINE
12" WHITE (RIGHT) / 12" YELLOW (LEFT)
45° SHOULDER DIAGONALS

FILE NAME = \$FILEL\$	USER NAME = mrempfer	DESIGNED - RG	REVISED -
		DRAWN - RG	REVISED -
	PLOT SCALE = 50.0000' / IN.	CHECKED - MGR	REVISED -
	PLOT DATE = 10/27/2011	DATE - 10/27/2011	REVISED -

**STATE OF ILLINOIS
DEPARTMENT OF TRANSPORTATION**

**US ROUTE 45
PROPOSED ROADWAY PLAN**

F.A.P. RTE.	SECTION	COUNTY	TOTAL SHEETS	SHEET NO.
344	39-RS-4	LAKE	38	12
CONTRACT NO. 60N30				
ILLINOIS FED. AID PROJECT				

SCALE: SHEET NO. OF SHEETS STA. TO STA.