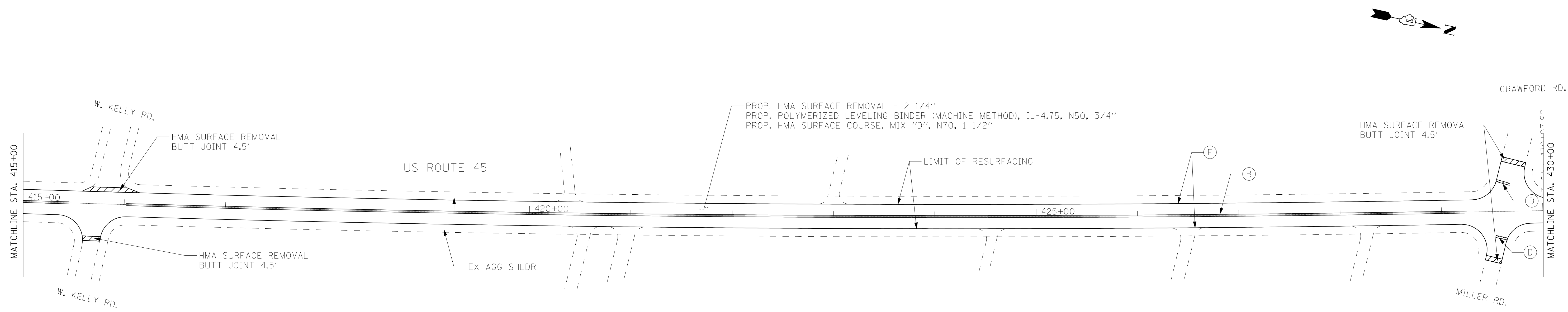
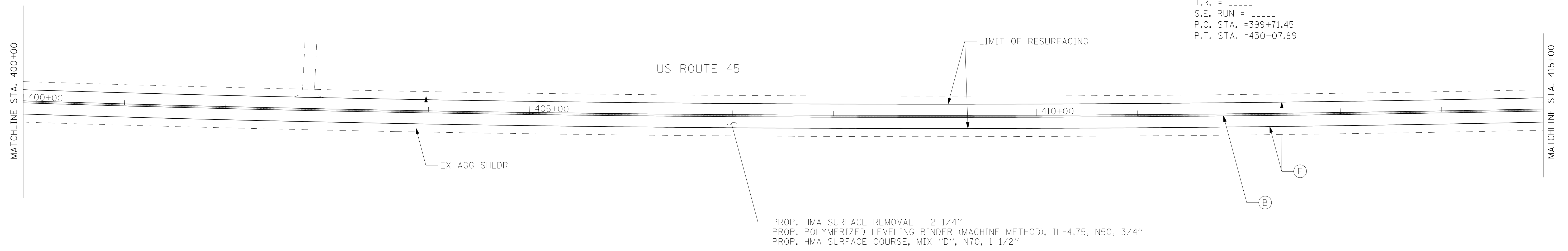
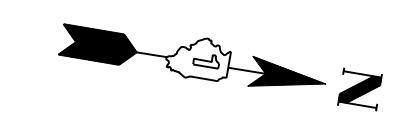


EXIST. CURVEC6
 PI STA. =414+91.13
 Δ =6° 08' 12" (LT)
 D =0' 12' 08"
 R =28,350.00'
 T =1,519.67'
 L =3,036.44'
 E =40.70'
 e = -----
 T.R. = -----
 S.E. RUN = -----
 P.C. STA. =399+71.45
 P.T. STA. =430+07.89



- (A) PROP. THPL. PAVEMENT MARKING LINE
6" WHITE - TURN LANE LINE (TYP)
- (B) PROP. THPL. PAVEMENT MARKING LINE
2 @ 4" YELLOW - 11" C-C (TYP)
- (C) 8' WHITE - LETTERS AND SYMBOLS (TYP)
(LEFT TURN ONLY, RIGHT TURN ONLY)
- (D) PROP. THPL. PAVEMENT MARKING LINE
24" WHITE SOLID LINE - STOP LINE (TYP)
- (E) PROP. THPL. PAVEMENT MARKING LINE
12" YELLOW - 75' C-C, 45° DIAGONAL (MIN. 5)
- (F) PROP. THPL. PAVEMENT MARKING LINE
4" WHITE - EDGE LINE (TYP)
- (G) PROP. THPL. PAVEMENT MARKING LINE
6" WHITE - DOTTED LINE
2' DASH, 6' SKIP (TYP)
- (H) PROP. THPL. PAVEMENT MARKING LINE
6" WHITE - CROSSWALK LINES (TYP)
- (I) PROP. THPL. PAVEMENT MARKING LINE
4" WHITE - SKIP DASH LINES
10' DASH, 30' SKIP (TYP)
- (J) PROP. THPL. PAVEMENT MARKING LINE
4" SINGLE YELLOW (TYP)
- (K) PROP. THPL. PAVEMENT MARKING LINE
12" WHITE - SCHOOL CROSSWALK LINES (TYP)

FILE NAME = \$FILE\$	USER NAME = mrempfer	DESIGNED - RG	REVISED -
		DRAWN - RG	REVISED -
	PLOT SCALE = 50.0000' / IN.	CHECKED - MGR	REVISED -
	PLOT DATE = 10/27/2011	DATE - 10/27/2011	REVISED -

**STATE OF ILLINOIS
 DEPARTMENT OF TRANSPORTATION**

**US ROUTE 45
 PROPOSED ROADWAY PLAN**

SCALE: SHEET NO. OF SHEETS STA. TO STA.

F.A.P. RTE.	SECTION	COUNTY	TOTAL SHEETS	SHEET NO.
344	39-RS-4	LAKE	38	16
CONTRACT NO. 60N30			ILLINOIS FED. AID PROJECT	