

NOTE:

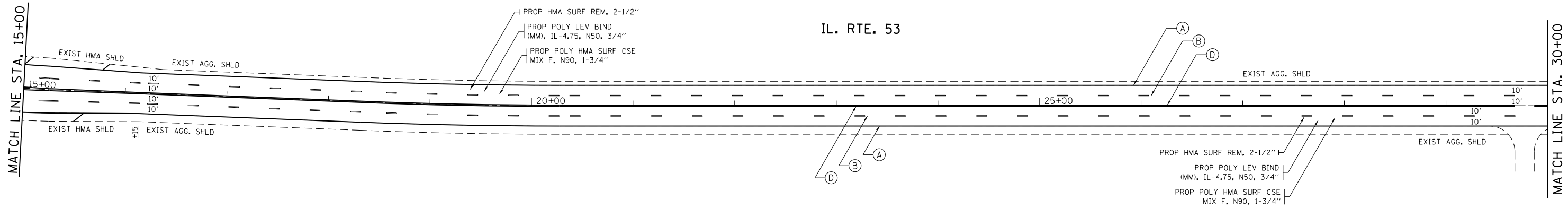
PAVEMENT MARKING SHALL BE THERMOPLASTIC OF THE EXTRUDED TYPE AND SHOULD BE PLACED IN ACCORDANCE WITH THE DISTRICT ONE "TYPICAL PAVEMENT MARKING DETAILS".

RAISED REFLECTIVE PAVEMENT MARKERS SHALL BE IN ACCORDANCE WITH THE DISTRICT ONE "TYPICAL APPLICATION RAISED REFLECTIVE PAVEMENT MARKERS DETAILS".

THE RESIDENT ENGINEER SHALL CONTACT LAWRENCE HILL, TRAFFIC FIELD ENGINEER AT (815)485-6475 (SS) OR AT (847)846-2165 (CEL) A MINIMUM OF TWO WEEKS PRIOR TO THE PLACEMENT OF ANY PERMANENT MARKINGS.

PAVEMENT MARKING LEGEND

- (A) 4" WHITE - SOLID (EDGE LINE)
- (B) 4" WHITE - 10' DASH / 30' SKIP
- (C) 4" YELLOW - SOLID (EDGE LINE)
- (D) 4" YELLOW - 2 @ 11" C-C
- (E) 6" WHITE - SOLID (TURN LANE LINE)
- (F) 6" WHITE - 2' DASH / 6' SKIP (TURN LANE LINE)
- (G) 8" WHITE - SOLID (CHANNELIZATION) (GORE)
- (H) 12" WHITE - RT. 45° DIAGONAL @ 75' C-C (SHOULDER)
- (I) 12" YELLOW - RT. 45° DIAGONAL @ 75' C-C (MEDIAN)
- (J) 12" WHITE - RT. 45° CHEVRON @ 20' C-C
- (K) 24" WHITE - SOLID (STOP BAR)
- (L) 8" WHITE - LETTERS AND SYMBOLS
- (M) 4" YELLOW - SKIP DASH AND SOLID
- (N) 5-1/2" C-C



FILE NAME = c:\pwwork\pwwid\galbenj\d0249519\013111-shit-plan.dgn	USER NAME = galbenj	DESIGNED -	REVISED -	STATE OF ILLINOIS DEPARTMENT OF TRANSPORTATION	IL 53 (N.INDEPENDENCE BLVD.) ROADWAY AND PAVEMENT MARKING PLANS			F.A.P. RTE. 112	SECTION MY-RS-2	COUNTY WILL	TOTAL SHEETS 35	SHEET NO. 10
	PLOT SCALE = 100.0000' / in.	CHECKED -	REVISED -					CONTRACT NO. 60N44				
PLOT DATE = 8/20/2012	DATE -	REVISED -	REVISED -	SCALE:	SHEET NO.	OF SHEETS	STA.	TO STA.	ILLINOIS FED. AID PROJECT			