

NOTE:

PAVEMENT MARKING SHALL BE THERMOPLASTIC OF THE EXTRUDED TYPE AND SHOULD BE PLACED IN ACCORDANCE WITH THE DISTRICT ONE "TYPICAL PAVEMENT MARKING DETAILS".

RAISED REFLECTIVE PAVEMENT MARKERS SHALL BE IN ACCORDANCE WITH THE DISTRICT ONE "TYPICAL APPLICATION RAISED REFLECTIVE PAVEMENT MARKERS DETAILS".

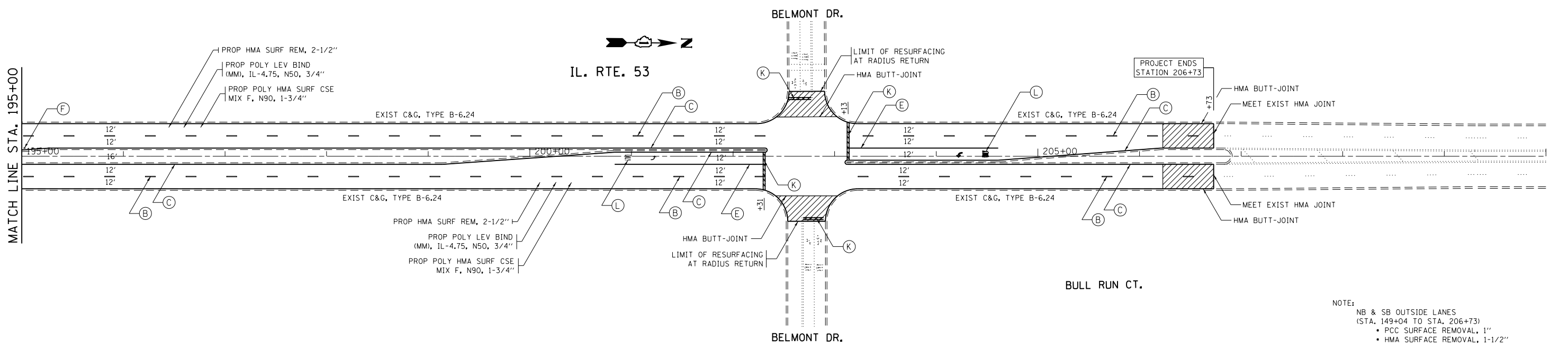
THE RESIDENT ENGINEER SHALL CONTACT LAWRENCE HILL, TRAFFIC FIELD ENGINEER AT (815)485-6475 (SS) OR AT (847)846-2165 (CEL) A MINIMUM OF TWO WEEKS PRIOR TO THE PLACEMENT OF ANY PERMANENT MARKINGS.

PAVEMENT MARKING LEGEND

- (A) 4" WHITE - SOLID (EDGE LINE)
- (B) 4" WHITE - 10' DASH / 30' SKIP
- (C) 4" YELLOW - SOLID (EDGE LINE)
- (D) 4" YELLOW - 2 @ 11" C-C
- (E) 6" WHITE - SOLID (TURN LANE LINE)
- (F) 6" WHITE - 2' DASH / 6' SKIP (TURN LANE LINE)
- (G) 8" WHITE - SOLID (CHANNELIZATION) (GORE)
- (H) 12" WHITE - RT. 45° DIAGONAL @ 75' C-C (SHOULDER)
- (I) 12" YELLOW - RT. 45° DIAGONAL @ 75' C-C (MEDIAN)
- (J) 12" WHITE - RT. 45° CHEVRON @ 20' C-C
- (K) 24" WHITE - SOLID (STOP BAR)
- (L) 8" WHITE - LETTERS AND SYMBOLS
- (M) 4" YELLOW - SKIP DASH AND SOLID 5-1/2" C-C

NOTE:

- NB & SB OUTSIDE LANES (STA. 149+04 TO STA. 206+73)
- PCC SURFACE REMOVAL, 1"
- HMA SURFACE REMOVAL, 1-1/2"



NOTE:

- NB & SB OUTSIDE LANES (STA. 149+04 TO STA. 206+73)
- PCC SURFACE REMOVAL, 1"
- HMA SURFACE REMOVAL, 1-1/2"

FILE NAME = c:\pwwork\pwwid\galbenjr\d0249519\013111-shit-plan.dgn	USER NAME = galbenjr	DESIGNED -	REVISED -	STATE OF ILLINOIS DEPARTMENT OF TRANSPORTATION	IL 53 (N. INDEPENDENCE BLVD.) ROADWAY AND PAVEMENT MARKING PLANS			F.A.P. RTE. 112	SECTION MY-RS-2	COUNTY	TOTAL SHEETS 35	SHEET NO. 16
	PLOT SCALE = 100.0000' / in.	CHECKED -	REVISED -					SCALE:	SHEET NO. OF SHEETS	STA. TO STA.	CONTRACT NO. 60N44	
PLOT DATE = 8/20/2012	DATE -	REVISED -	REVISED -	ILLINOIS FED. AID PROJECT								