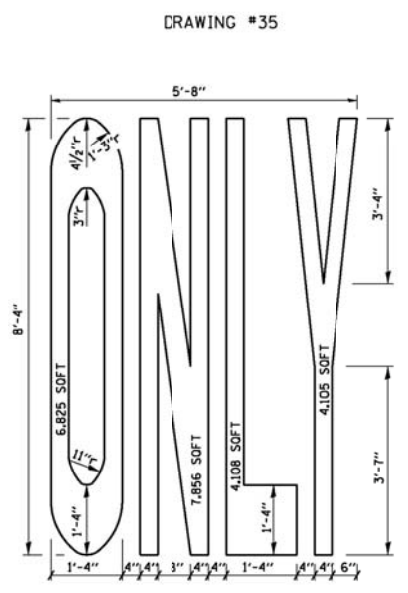
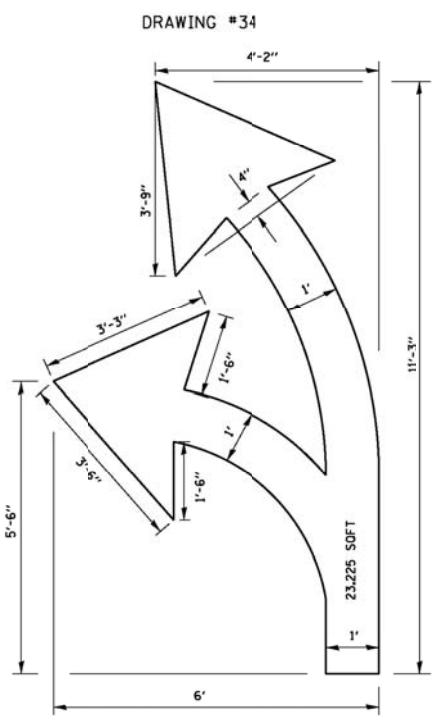
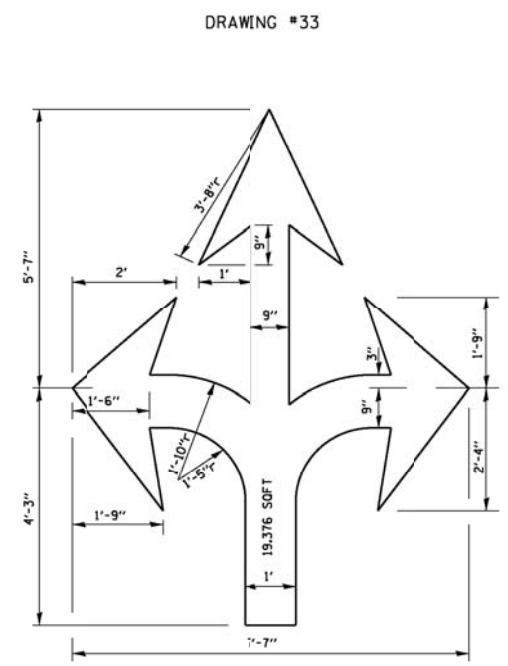
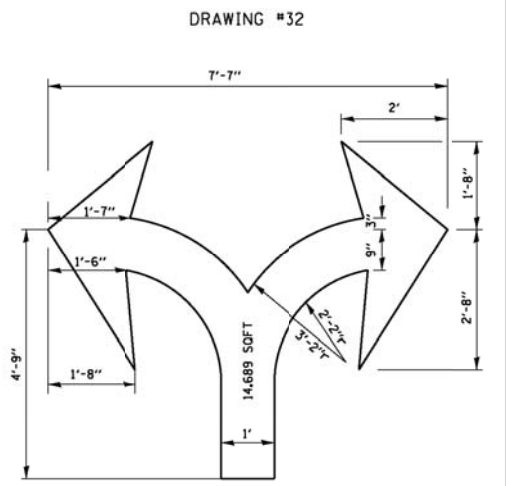
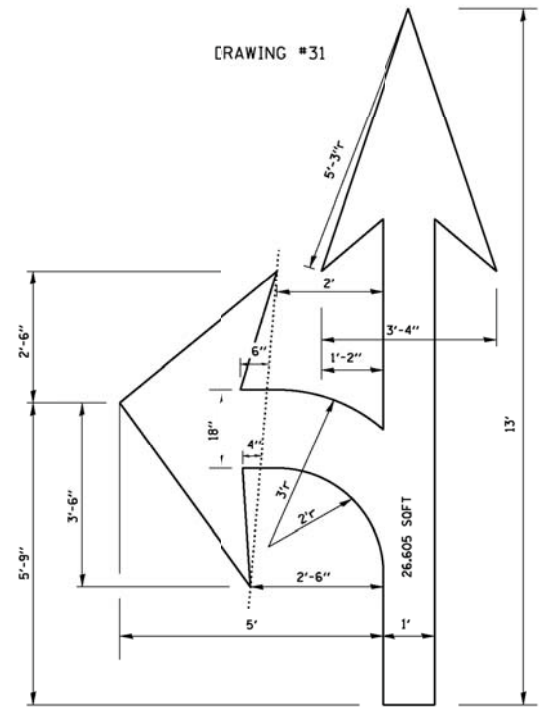
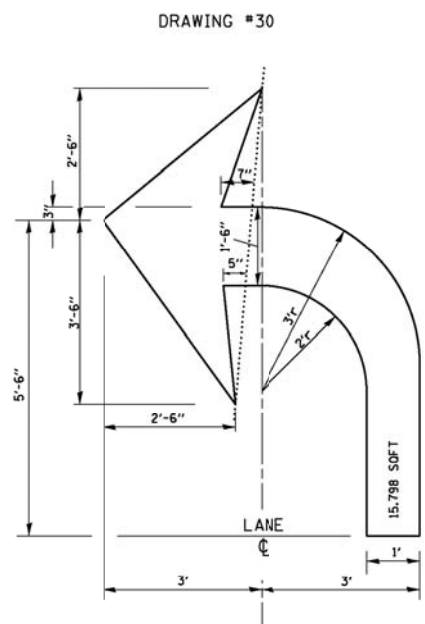
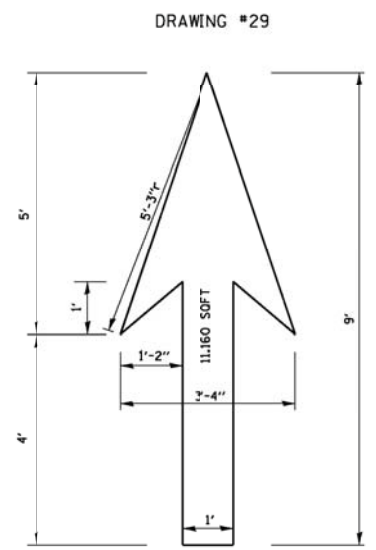


NOTE:
 1.) FOR BIKE LANE SYMBOLS ONLY, USE PRE-FORMED THERMOPLASTIC WITH A MINIMUM THICKNESS OF 90 MILS, MINIMUM SKID RESISTANCE VALUE OF 60 BPN, & A MINIMUM INDEX OF REFRACTION OF 1.50.
 2.) THE RESIDENT ENGINEER SHALL CONTACT MR. BEN GOMEERG AT 312-744-8093 AT LEAST ONE CALENDAR WEEK PRIOR TO INSTALLING BIKE LANE SYMBOLS.

TYPICAL BIKE LANE SYMBOLS
 DRAWING #28



NOTE: ALL MARKINGS SHALL BE SOLID WHITE UNLESS OTHERWISE NOTED IN THE PLANS

COMPANY NAME: HRGreen
 PROJECT CONTACT: HRGreen
 DATE PLOTTED: 1/13/2013 10:08:56 AM
 FILE NAME: 86100196.15-de+12c.dgn
 PLOT DRIVER: pdfcut
 PEN TABLE: standard-trans.tbl



HRGreen.com
 3315124.dgn
 Illinois Professional Design Firm
 #194-001322
 USER NAME = drivakosgn
 PLOT SCALE = 50.0000' / in.
 PLOT DATE = 3/29/2012

DESIGNED -	T. RAMMACHER	12-07-00
DRAWN -	K. ENG	02-28-12
CHECKED -		
DATE -		
REVISED -		

STATE OF ILLINOIS
 DEPARTMENT OF TRANSPORTATION

CITY OF CHICAGO	
TYPICAL PAVEMENT MARKINGS	
SCALE: NONE	SHEET NO. 2 OF 3 SHEETS
STA.	TO STA.

F.A. RTE.	SECTION	COUNTY	TOTAL SHEETS	SHEET NO.
348	2011-080-RS	COOK	44	40
TC-24		CONTRACT NO. 60R07		
FED. ROAD DIST. NO. 1 ILLINOIS FED. AID PROJECT				