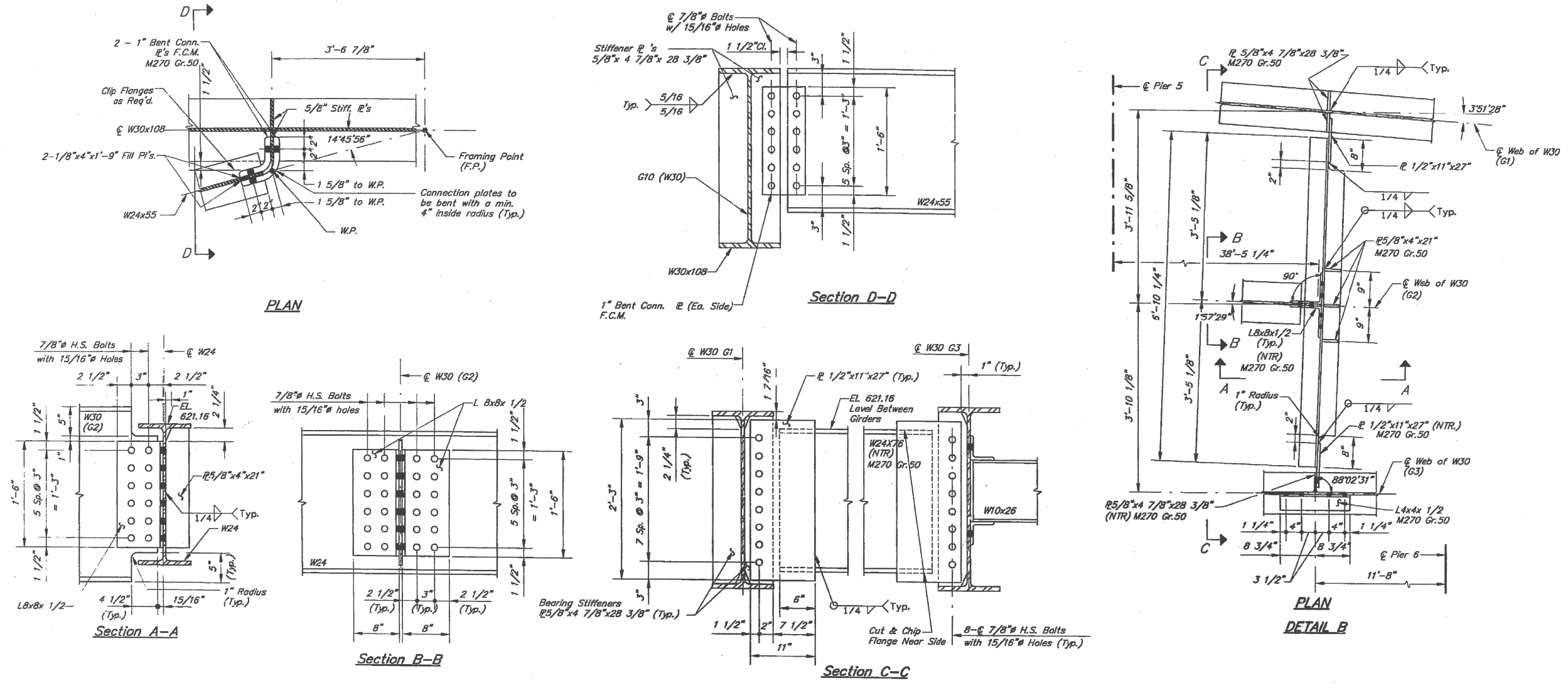


# FOR INFORMATION ONLY



FILE NAME =	USER NAME = pyrzanowskirb	DESIGNED -	REVISED -	<b>STATE OF ILLINOIS DEPARTMENT OF TRANSPORTATION</b>	<b>STRUCTURAL STEEL DETAILS SHEET 1 OF 2 IL 83 AT S &amp; S AND I &amp; M CANALS (SN 016-0425)</b>	F.A.P. RTE.	SECTION	COUNTY	TOTAL SHEETS	SHEET NO.	
et:\pwork\pwork\pyrzanowskirb\d0315367	D102613-sht-plan.dgn	DRAWN -	REVISED -			344	2012-055BP	COOK	16	13	
MODELNAME\$	PLOT DATE = 1/25/2013	CHECKED -	REVISED -			CONTRACT NO. 60V60					
		DATE -	REVISED -			ILLINOIS FED. AID PROJECT					