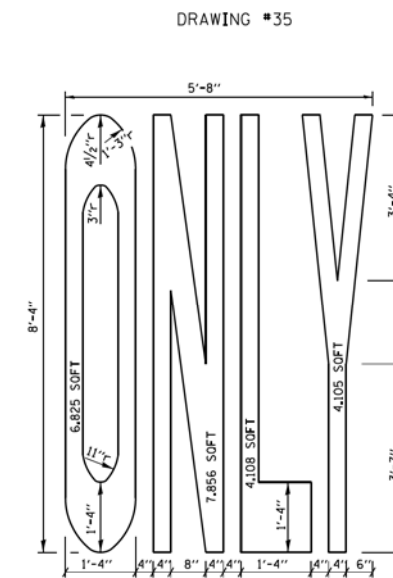
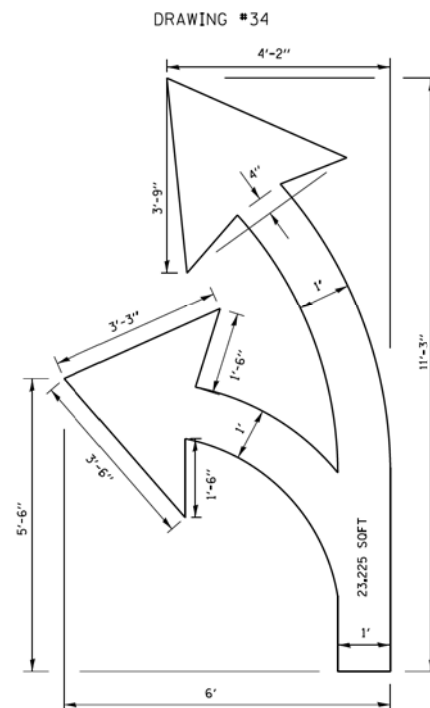
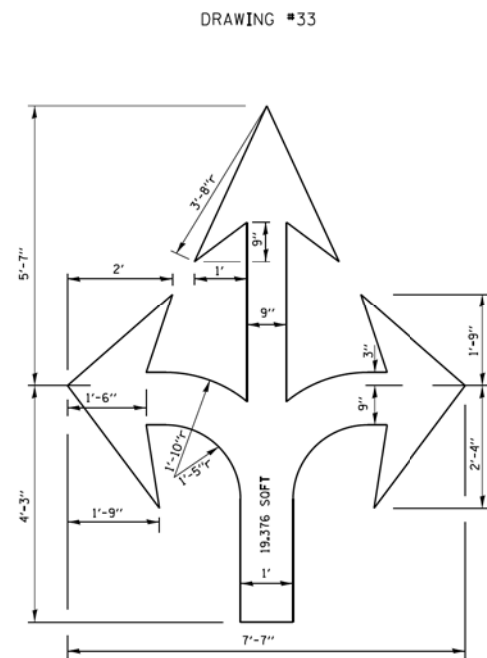
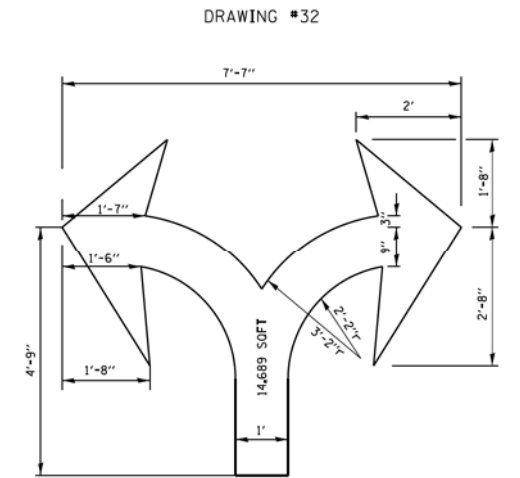
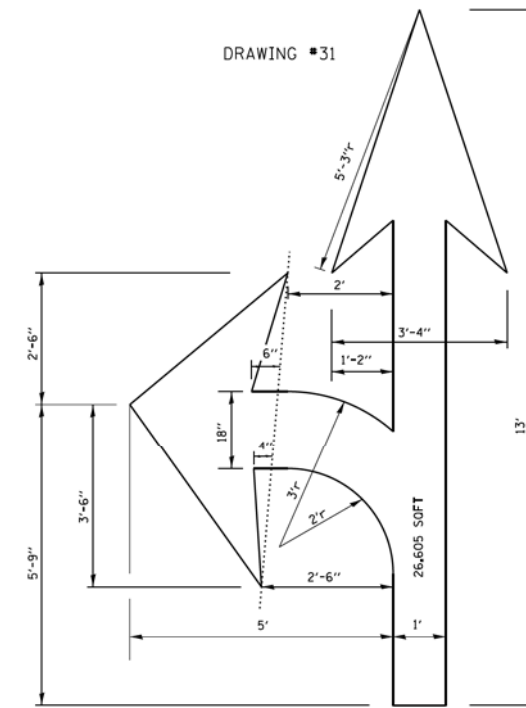
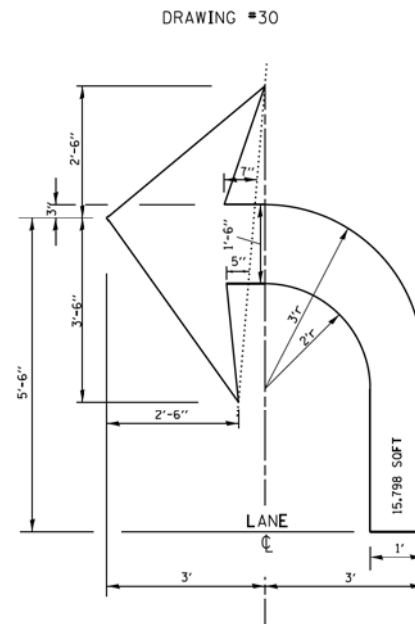
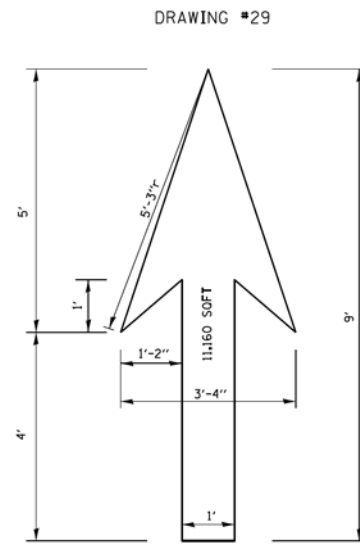


- NOTE:**
- FOR BIKE LANE SYMBOLS ONLY, USE PRE-FORMED THERMOPLASTIC WITH A MINIMUM THICKNESS OF 90 MILS, MINIMUM SKID RESISTANCE VALUE OF 60 BPN, & A MINIMUM INDEX OF REFRACTION OF 1.50.
  - THE RESIDENT ENGINEER SHALL CONTACT MR. BEN GOMBERG AT 312-744-8093 AT LEAST ONE CALENDAR WEEK PRIOR TO INSTALLING BIKE LANE SYMBOLS.

TYPICAL BIKE LANE SYMBOLS  
DRAWING #28



**NOTE:**  
ALL MARKINGS SHALL BE SOLID WHITE UNLESS OTHERWISE NOTED IN THE PLANS

FILE NAME =	USER NAME = drivakosgn	DESIGNED -	REVISED - T. RAMMACHER 12-07-00
ca:\pw\work\p\dot\drivakosgn\d0108315\to24.dgn		DRAWN -	REVISED - K. ENG 02-28-12
	PLOT SCALE = 50.000' / in.	CHECKED -	REVISED -
	PLOT DATE = 3/29/2012	DATE -	REVISED -

STATE OF ILLINOIS  
DEPARTMENT OF TRANSPORTATION

CITY OF CHICAGO	
TYPICAL PAVEMENT MARKINGS	
SCALE: NONE	SHEET NO. 2 OF 3 SHEETS STA. TO STA.

F.A.I. RTE.	SECTION	COUNTY	TOTAL SHEETS	SHEET NO.
94	2012-060-BR	COOK	285	262
TC-24		CONTRACT NO. 60V61		
FED. ROAD DIST. NO. 1 ILLINOIS FED. AID PROJECT				