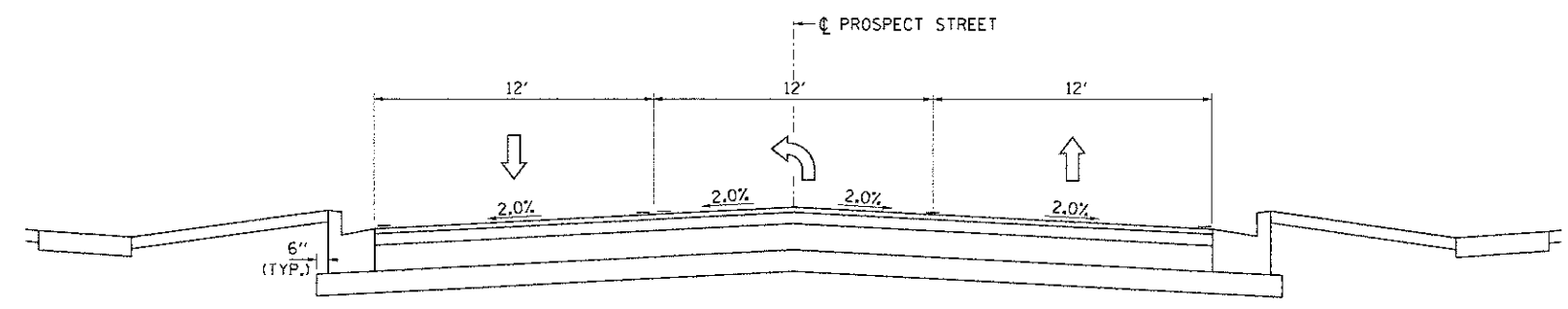
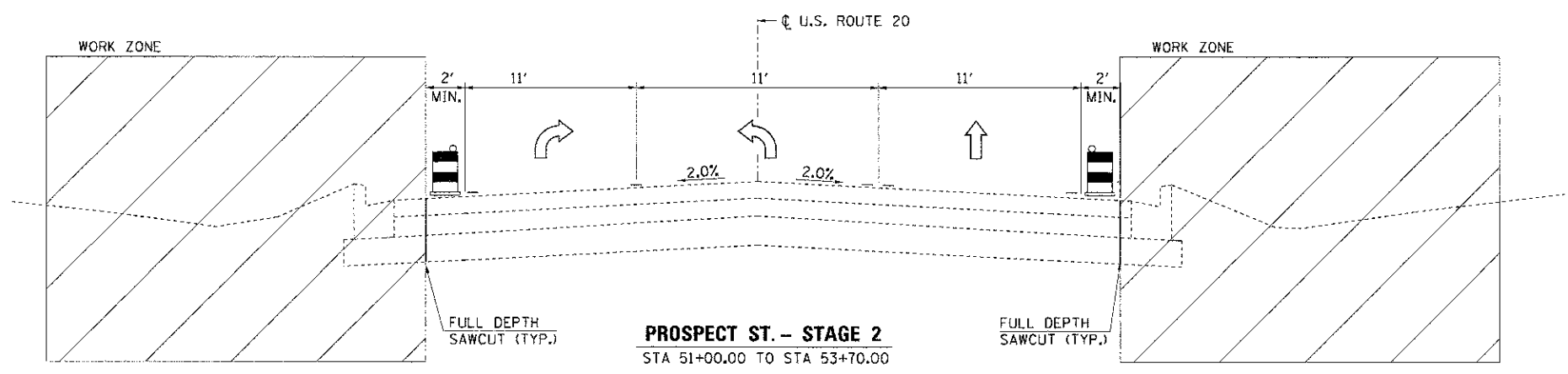


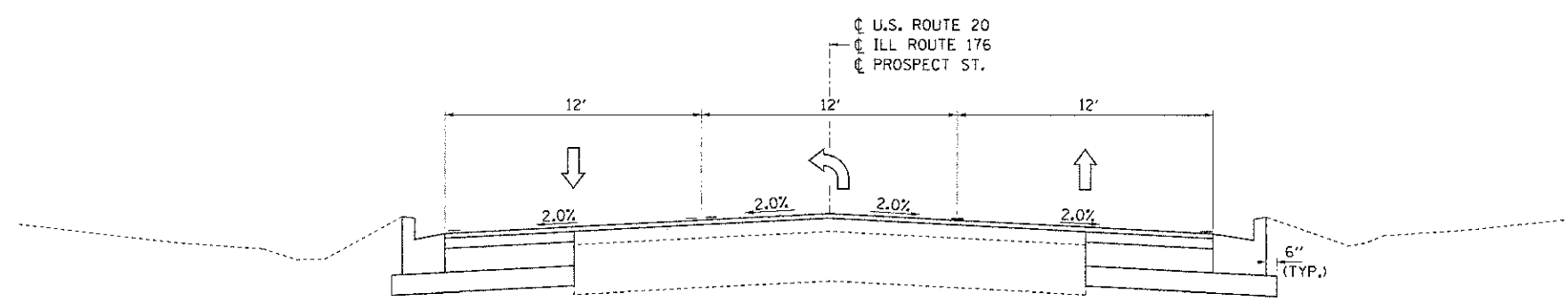
DATE	
BY	
PLAN	
SURVEYED	
ADJUSTMENT CHECKED	
RT. OF WAY CHECKED	
DAILY FILE NAME	
NO.	

DATE	
BY	
PROFILE	
SURVEYED	
UPDATES CHECKED	
S.M. NOTES	
STRUCTURE NOTATIONS CHRD	
NO.	

COMPANY NAME
 PROJECT CONTACT
 CLIENT
 DATE PLOTTED: 2/8/2013 10:01:13 PM
 FILE NAME: 636.martyn03.dgn
 PLOT DRIVER: perf_yuppt
 PLOT TABLE: standard1cross.tbl



PROSPECT STREET - STAGE 3
STA 10+00.00 TO STA 53+70.00



U.S. ROUTE 20 - STAGE 3
STA 198+06.00 TO STA 213+00.00

ILL ROUTE 176 - STAGE 3
STA 102+50.00 TO STA 117+75.00

PROSPECT ST. - STAGE 3
STA 51+00.00 TO STA 53+70.00

STATE OF ILLINOIS
 DEPARTMENT OF TRANSPORTATION

SUGGESTED MAINTENANCE OF TRAFFIC - STAGE 3
TYPICAL SECTIONS
 SCALE: N/A SHEET NO. 4 OF 10 SHEETS STA. TO STA.

F.A.M. RTE.	SECTION	COUNTY	TOTAL SHEETS	SHEET NO.
4087	98-0024-00-WR	MCHENRY	115	35
FED. ROAD DIST. NO.			ILLINOIS FED. AID PROJECT	
			CONTRACT NO. 63532	

HRGreen.com
 Illinois Professional Design Firm
 #164-051322

USER NAME = spernel	DESIGNED DCJ	REVISED -
	DRAWN SMP	REVISED -
PLGT SCALE = N/A	CHECKED - TEH	REVISED -
PLST DATE = 2/8/2013	DATE - 2/5/13	REVISED -