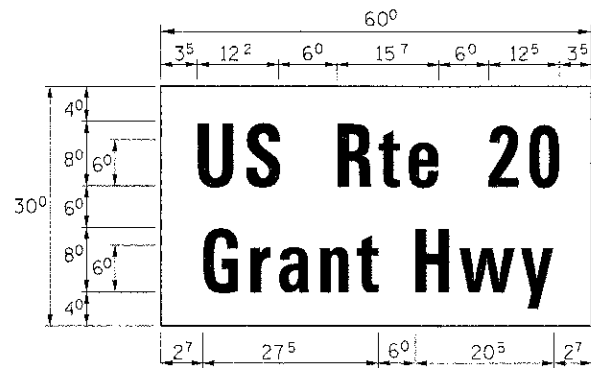


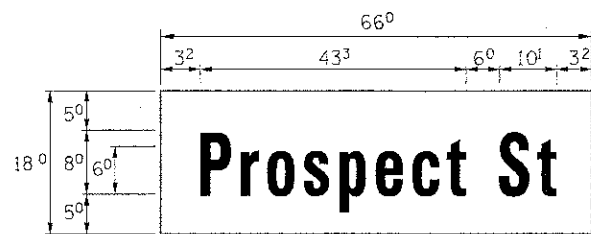
PANEL SIGN DESIGN TYPE 2



MA-2
12.50 Sq. Ft each
1 Required
Design Series D

NOTE: THESE SIGNS SHALL BE MOUNTED ON THE FRONT OF THE MAST ARM PER THE SINGLE ARM DETAIL AT RIGHT OR AS DIRECTED BY THE ENGINEER.

PANEL SIGN DESIGN TYPE 1



MA-1
8.25 Sq. Ft each
2 Required
Design Series D

NOTE: THIS SIGN SHALL BE MOUNTED ON THE MAST ARM IN ACCORDANCE WITH STANDARD 720016 OR AS DIRECTED BY THE ENGINEER.

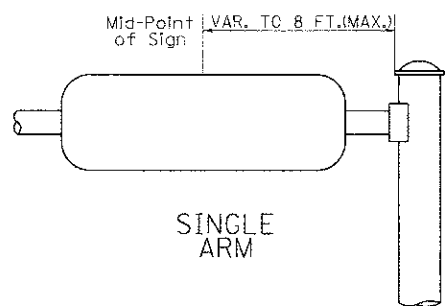
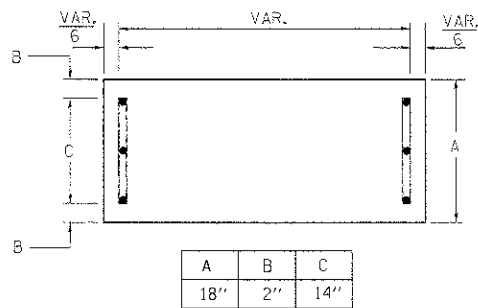
GENERAL NOTES

- WHERE MAST ARM MOUNTED STREET NAME SIGNS ARE SPECIFIED, THE MAST ARM ASSEMBLY AND POLES SHALL BE DESIGNED TO SUPPORT THE LOADINGS CALLED FOR ON STANDARDS 877001, 877002, 877006, 877011 AND 877012, AS APPLICABLE, PLUS TWO (2) SIGN PANELS 2'-6" x 8'-0" MOUNTED AS SHOWN. THE DESIGN SHALL BE IN ACCORDANCE WITH THE REQUIREMENTS OF THE CURRENT "STANDARD SPECIFICATIONS FOR STRUCTURAL SUPPORTS FOR HIGHWAY SIGNS, LUMINAIRES, AND TRAFFIC SIGNALS" AS PUBLISHED BY THE AMERICAN ASSOCIATION OF STATE HIGHWAY AND TRANSPORTATION OFFICIALS FOR 80 M.P.H. WIND VELOCITY.
- ALL SIGNS SHALL HAVE A WHITE REFLECTORIZED LEGEND AND BORDER ON A GREEN REFLECTORIZED BACKGROUND, TYPE A SHEETING.
- THE SIGN LENGTH SHOULD BE INCREASED IN 6-INCH INCREMENTS, BUT THE OVERALL LENGTH SHOULD NOT EXCEED 8'-0".
- ALL BORDERS SHALL BE 3/4" WIDE AND CORNER RADIUS SHALL BE 2-1/4".
- SIGNFIX ALUMINUM CHANNEL FRAMING SYSTEM SHALL BE USED FOR ALL SIGNS ATTACHED TO SIGNAL POLES AND POSTS. LOCAL SUPPLIERS OF THE SIGNFIX ALUMINUM CHANNEL FRAMING SYSTEM ARE:

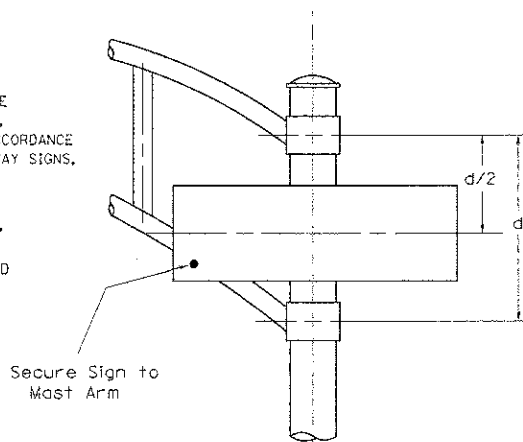
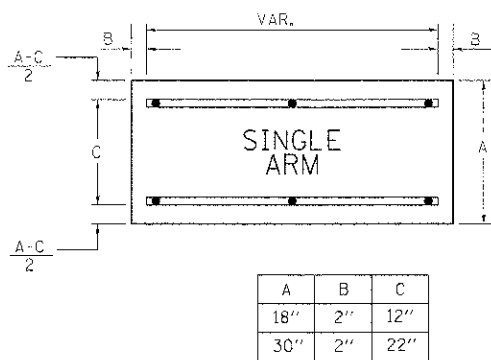
* J.O. HERBERT CO. MIDLOTHIAN, VA. * WESTERN REMAC INC. WOODRIDGE, IL.

PARTS LISTING:
SIGN CHANNEL PART #HPN053 (MED. CHANNEL)
SIGN SCREWS 1/4" x 14 x 1" H.W.H. #3
SELFT TAPPING WITH NEOPRENE WASHER
BRACKETS PART #HPN034 (UNIVERSAL)
CHANNEL CLAMPS WITH STAINLESS STEEL STRAPPING
OTHER BRANDS OF MOUNTING HARDWARE ARE ACCEPTABLE, BASED UPON THE DEPARTMENT'S APPROVAL AND COMPATIBILITY WITH THE CHANNEL/BACKET OF THE ABOVE PRODUCT.

SUPPORTING CHANNELS



SUPPORTING CHANNELS



DUAL ARM
SIGNFIX ALUMINUM CHANNEL FRAMING SYSTEM shall be used. See Note #5.

Upper Case To Lower Case
Spacing Chart 8-6 Inch Series "C & D"

EXAMPLE, 2 ³ DENOTES 3/8"

| SERIES | SECOND LETTER | | | | | | | | | | | | | | | |
|---------|---------------|----|-------|----|----|----|----|----|----|----|----|----|----|----|----|----|
| | acce | | bhikl | | fw | | j | | st | | vy | | x | | z | |
| | C | D | C | D | C | D | C | D | C | D | C | D | C | D | C | D |
| A W X | 12 | 14 | 14 | 15 | 12 | 14 | 06 | 10 | 11 | 14 | 06 | 10 | 11 | 12 | 12 | 14 |
| B | 14 | 15 | 20 | 21 | 14 | 15 | 11 | 12 | 14 | 15 | 12 | 14 | 12 | 14 | 16 | 17 |
| C E G | 14 | 15 | 20 | 21 | 12 | 14 | 06 | 10 | 12 | 14 | 12 | 14 | 14 | 15 | 14 | 15 |
| D O O R | 14 | 15 | 20 | 21 | 14 | 15 | 06 | 10 | 12 | 14 | 12 | 14 | 14 | 15 | 14 | 15 |
| F | 05 | 06 | 14 | 15 | 06 | 10 | 05 | 06 | 06 | 10 | 06 | 10 | 06 | 10 | 11 | 12 |
| H I M N | 20 | 21 | 22 | 24 | 20 | 21 | 14 | 15 | 16 | 17 | 16 | 17 | 20 | 21 | 20 | 21 |
| J U | 20 | 21 | 20 | 21 | 16 | 17 | 14 | 15 | 16 | 17 | 16 | 17 | 16 | 17 | 20 | 21 |
| K L | 11 | 12 | 16 | 17 | 11 | 12 | 05 | 06 | 11 | 12 | 11 | 12 | 11 | 12 | 12 | 14 |
| P | 12 | 14 | 14 | 15 | 12 | 14 | 05 | 06 | 11 | 12 | 11 | 12 | 12 | 14 | 12 | 14 |
| S | 12 | 14 | 16 | 17 | 12 | 14 | 06 | 10 | 12 | 14 | 12 | 14 | 12 | 14 | 12 | 14 |
| T | 11 | 12 | 16 | 17 | 06 | 10 | 06 | 10 | 11 | 12 | 11 | 12 | 11 | 12 | 12 | 14 |
| V | 06 | 10 | 14 | 15 | 11 | 12 | 06 | 10 | 12 | 14 | 12 | 14 | 12 | 14 | 12 | 14 |
| Y | 05 | 06 | 14 | 15 | 06 | 10 | 05 | 06 | 05 | 07 | 05 | 06 | 06 | 10 | 11 | 12 |
| Z | 16 | 17 | 22 | 24 | 16 | 17 | 12 | 14 | 16 | 17 | 16 | 17 | 16 | 17 | 20 | 21 |

Lower Case To Lower Case
Spacing Chart 6 Inch Series "C & D"

| SERIES | SECOND LETTER | | | | | | | | | | | | | | | |
|-------------|---------------|----|-------|----|----|----|----|----|----|----|----|----|----|----|----|----|
| | acce | | bhikl | | fw | | j | | st | | vy | | x | | z | |
| | C | D | C | D | C | D | C | D | C | D | C | D | C | D | C | D |
| ad h g i j | 16 | 17 | 22 | 24 | 16 | 17 | 12 | 14 | 14 | 15 | 14 | 15 | 16 | 17 | 16 | 17 |
| l m n q u | 16 | 17 | 22 | 24 | 16 | 17 | 12 | 14 | 14 | 15 | 14 | 15 | 16 | 17 | 16 | 17 |
| b f k o p s | 12 | 14 | 16 | 17 | 11 | 12 | 05 | 06 | 11 | 12 | 11 | 12 | 12 | 14 | 12 | 14 |
| c e | 12 | 14 | 16 | 17 | 12 | 14 | 06 | 10 | 12 | 14 | 12 | 14 | 12 | 14 | 12 | 14 |
| r | 06 | 10 | 12 | 14 | 06 | 10 | 03 | 03 | 05 | 06 | 05 | 06 | 06 | 10 | 06 | 10 |
| t z | 12 | 14 | 16 | 17 | 12 | 14 | 06 | 10 | 11 | 12 | 11 | 12 | 12 | 14 | 12 | 14 |
| v y | 11 | 12 | 14 | 15 | 11 | 12 | 05 | 06 | 06 | 10 | 06 | 10 | 11 | 12 | 11 | 12 |
| w | 11 | 12 | 14 | 15 | 11 | 12 | 05 | 06 | 11 | 12 | 11 | 12 | 11 | 12 | 12 | 14 |
| x | 12 | 14 | 16 | 17 | 11 | 12 | 05 | 06 | 11 | 12 | 11 | 12 | 11 | 12 | 12 | 14 |

Number To Number
Spacing Chart 8 Inch Series "C & D"

| SERIES | SECOND LETTER | | | | | | | | | | | | | | | | | | | |
|--------|---------------|----|----|----|----|----|----|----|----|----|----|----|----|----|----|----|----|----|----|----|
| | 0 | 1 | 2 | 3 | 4 | 5 | 6 | 7 | 8 | 9 | | | | | | | | | | |
| | C | D | C | D | C | D | C | D | C | D | | | | | | | | | | |
| 0 9 | 16 | 17 | 16 | 17 | 14 | 15 | 12 | 14 | 14 | 15 | 14 | 15 | 16 | 17 | 12 | 14 | 16 | 17 | 16 | 17 |
| 1 | 20 | 21 | 20 | 21 | 20 | 21 | 16 | 17 | 14 | 15 | 20 | 21 | 20 | 21 | 14 | 15 | 20 | 21 | 20 | 21 |
| 2 3 4 | 14 | 15 | 14 | 15 | 14 | 15 | 12 | 14 | 14 | 15 | 14 | 15 | 11 | 12 | 16 | 17 | 14 | 15 | 14 | 15 |
| 5 | 14 | 15 | 14 | 15 | 14 | 15 | 11 | 12 | 11 | 12 | 14 | 15 | 14 | 15 | 11 | 12 | 14 | 15 | 14 | 15 |
| 6 | 16 | 17 | 14 | 15 | 14 | 15 | 12 | 15 | 12 | 14 | 14 | 15 | 14 | 15 | 11 | 12 | 14 | 15 | 14 | 15 |
| 7 | 12 | 14 | 12 | 14 | 14 | 15 | 12 | 15 | 05 | 06 | 12 | 14 | 14 | 15 | 11 | 12 | 14 | 15 | 12 | 14 |
| 8 | 16 | 17 | 16 | 17 | 14 | 15 | 12 | 15 | 12 | 14 | 14 | 15 | 16 | 17 | 12 | 14 | 16 | 17 | 14 | 15 |

| LETTERS | 6 INCH UPPER CASE LETTERS | | 8 INCH UPPER CASE LETTERS | | LETTERS | 6 INCH LOWER CASE LETTERS | |
|---------|---------------------------|----------------|---------------------------|----------------|---------|---------------------------|----------------|
| | SERIES | | SERIES | | | SERIES | |
| | C | D | C | D | | C | D |
| A | 3 ⁶ | 5 ⁰ | 5 ⁰ | 6 ⁵ | a | 3 ⁵ | 4 ² |
| B | 3 ² | 4 ⁰ | 4 ³ | 5 ³ | b | 3 ⁵ | 4 ² |
| C | 3 ² | 4 ⁰ | 4 ³ | 5 ³ | c | 3 ⁵ | 4 ¹ |
| D | 3 ² | 4 ⁰ | 4 ³ | 5 ³ | d | 3 ⁵ | 4 ² |
| E | 3 ⁰ | 3 ⁵ | 4 ⁰ | 4 ⁷ | e | 3 ⁵ | 4 ² |
| F | 3 ⁰ | 3 ⁵ | 4 ⁰ | 4 ⁷ | f | 2 ³ | 2 ⁶ |
| G | 3 ² | 4 ⁰ | 4 ³ | 5 ³ | g | 3 ⁵ | 4 ² |
| H | 3 ² | 4 ⁰ | 4 ³ | 5 ³ | h | 3 ⁵ | 4 ² |
| I | 0 ⁷ | 0 ⁷ | 1 ¹ | 1 ² | i | 1 ¹ | 1 ¹ |
| J | 3 ⁰ | 3 ⁶ | 4 ⁰ | 5 ⁰ | j | 2 ⁰ | 2 ² |
| K | 3 ² | 4 ¹ | 4 ³ | 5 ⁴ | k | 3 ⁵ | 4 ² |
| L | 3 ⁰ | 3 ⁵ | 4 ⁰ | 4 ⁷ | l | 1 ¹ | 1 ¹ |
| M | 3 ⁷ | 4 ⁵ | 5 ¹ | 6 ¹ | m | 6 ⁰ | 7 ⁰ |
| N | 3 ² | 4 ⁰ | 4 ³ | 5 ³ | n | 3 ⁵ | 4 ² |
| O | 3 ⁴ | 4 ² | 4 ⁵ | 5 ⁵ | o | 3 ⁶ | 4 ³ |
| P | 3 ² | 4 ⁰ | 4 ³ | 5 ³ | p | 3 ⁵ | 4 ² |
| Q | 3 ⁴ | 4 ² | 4 ⁵ | 5 ⁵ | q | 3 ⁵ | 4 ² |
| R | 3 ² | 4 ⁰ | 4 ³ | 5 ³ | r | 2 ⁶ | 3 ² |
| S | 3 ² | 4 ⁰ | 4 ³ | 5 ³ | s | 3 ⁶ | 4 ² |
| T | 3 ⁰ | 3 ⁵ | 4 ⁰ | 4 ⁷ | t | 2 ⁷ | 3 ² |
| U | 3 ² | 4 ⁰ | 4 ³ | 5 ³ | u | 3 ⁵ | 4 ² |
| V | 3 ⁵ | 4 ⁴ | 4 ⁷ | 6 ⁰ | v | 4 ² | 4 ⁷ |
| W | 4 ⁴ | 5 ² | 6 ⁰ | 7 ⁰ | w | 5 ⁵ | 6 ⁴ |
| X | 3 ⁴ | 4 ⁰ | 4 ⁵ | 5 ³ | x | 4 ⁴ | 5 ¹ |
| Y | 3 ⁶ | 5 ⁰ | 5 ⁰ | 6 ⁶ | y | 4 ⁶ | 5 ³ |
| Z | 3 ² | 4 ⁰ | 4 ³ | 5 ³ | z | 3 ⁶ | 4 ³ |

| NUMBER | 6 INCH SERIES | | 8 INCH SERIES | |
|--------|----------------|----------------|----------------|----------------|
| | C | D | C | D |
| 1 | 1 ² | 1 ⁴ | 1 ⁵ | 2 ⁰ |
| 2 | 3 ² | 4 ⁰ | 4 ³ | 5 ³ |
| 3 | 3 ² | 4 ⁰ | 4 ³ | 5 ³ |
| 4 | 3 ⁵ | 4 ³ | 4 ⁷ | 5 ⁷ |
| 5 | 3 ² | 4 ⁰ | 4 ³ | 5 ³ |
| 6 | 3 ² | 4 ⁰ | 4 ³ | 5 ³ |
| 7 | 3 ² | 4 ⁰ | 4 ³ | 5 ³ |
| 8 | 3 ² | 4 ⁰ | 4 ³ | 5 ³ |
| 9 | 3 ² | 4 ⁰ | 4 ³ | 5 ³ |
| 0 | 3 ⁴ | 4 ² | 4 ⁵ | 5 ⁵ |

| | |
|--------------|--|
| DATE | |
| BY | |
| PROJECT | |
| PLANNING | |
| DESIGN | |
| CONSTRUCTION | |
| OPERATION | |

| | |
|--------------|--|
| DATE | |
| BY | |
| PROJECT | |
| PLANNING | |
| DESIGN | |
| CONSTRUCTION | |
| OPERATION | |

2/8/2013 11:03 PM
E:\316040-00\21001
P:\JWS\JWS
Standard-Forms-40



| | |
|-----------|----------|
| USER NAME | spornel |
| DESIGNED | JJS |
| DRAWN | JJS |
| CHECKED | TEH |
| PLCT DATE | 2/8/2013 |

| | |
|---------|---|
| REVISED | - |
| REVISED | - |
| REVISED | - |
| REVISED | - |

STATE OF ILLINOIS
DEPARTMENT OF TRANSPORTATION

MAST ARM MOUNTED STREET NAME AND SIGNS
U.S. ROUTE 20 AT PROSPECT STREET

SCALE: SHEET NO. 3 OF 3 SHEETS STA. TO STA.

| | | | | |
|---|---------------|---------|--------------|-----------|
| F.A.U. RTE. | SECTION | COUNTY | TOTAL SHEETS | SHEET NO. |
| 40B7 | 98-0024-00-WR | MCHENRY | 115 | 67 |
| CONTRACT NO. | | | 63532 | |
| FED. ROAD DIST. NO. ILLINOIS FED. AID PROJECT | | | | |