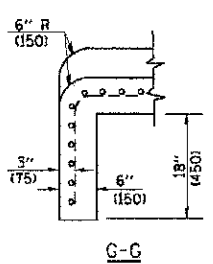
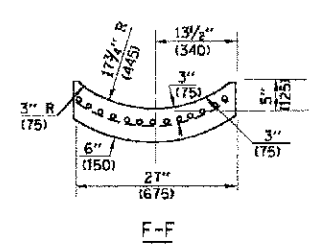
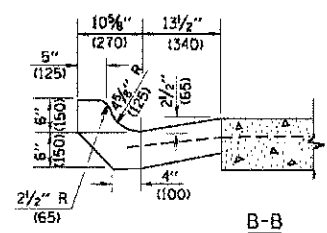
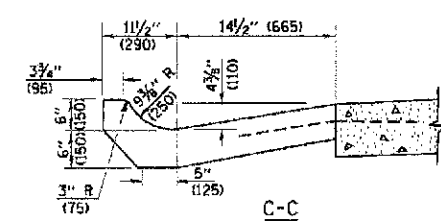
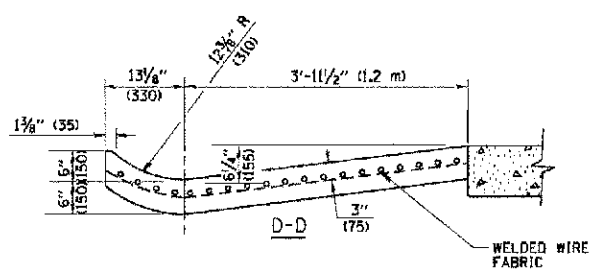
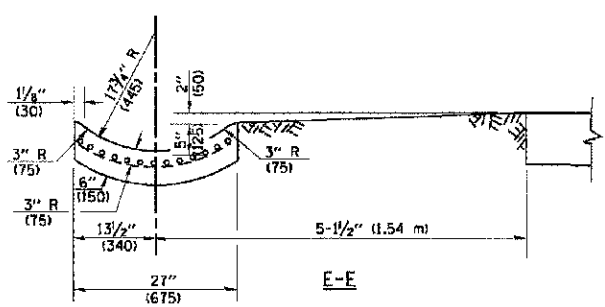


A-A *

* DIMENSIONS OF THE CURB & GUTTER AT SECTION A-A ARE SHOWN ON STATE STANDARD 606001. FOR DETAILS OF OUTLET FOR CONCRETE CURB & GUTTER, TYPE B-6.24 (B-15.60) SEE STATE STANDARD 606006.



GENERAL NOTES

GUTTER OUTLET SHALL BE TIED TO THE PAVEMENT IN ACCORDANCE WITH DETAILS FOR LONGITUDINAL CONSTRUCTION JOINT SHOWN ON STANDARD 420001.

TIE BARS SHALL BE NO. 20 (NO.6) AT 24\" (600) CENTERS UNLESS OTHERWISE SHOWN.

IF THE AVERAGE GRADE OF PAVEMENT FOR THE DISTANCE FROM SECTION A-A TO D-D EXCEEDS 2%, THIS DISTANCE SHALL BE INCREASED 6\" (1.8 m) FOR EACH 1% INCREASE IN GRADE.

QUANTITIES

FOR SECTION A-A TO E-E AND CURTAIN WALL -
 1.25 CU. YDS. (0.96 m³) CLASS 51 CONCRETE (OUTLET) FOR 9\" (225) PAVT.
 1.27 CU. YDS. (0.96 m³) CLASS 51 CONCRETE (OUTLET) FOR 10\" (250) PAVT.
 FOR SECTION F-F -
 0.045 CU. YDS. (0.03 m³) CLASS 51 CONCRETE PER FT. (M).

ALL DIMENSIONS ARE IN INCHES (MILLIMETERS) UNLESS OTHERWISE SHOWN.

2/8/2013 12:20 AM
 636.00730.000
 PLOT DRIVER: pcf_34487
 STATE OF ILLINOIS

COMPANY NAME: HRGreen.com
 PROJECT CONTACT: HRGreen.com
 CLIENT: HRGreen.com
 DATE PLOTTED: 2/8/2013 12:20 AM
 FILE NAME: 636.00730.000
 PLOT DRIVER: pcf_34487
 PLOT SCALE: 1/4\" = 1'-0\"

USER NAME = gsg_je-ot	DESIGNED - M. DE YONG	REVISED - R. SHAH 09-09-94
	DRAWN -	REVISED - R. SHAH 10-25-94
PLOT SCALE = 60.0000' / IN.	CHECKED -	REVISED - E. GOMEZ 12-21-00
PLOT DATE = 1/4/2008	DATE = 08-04-86	REVISED -

**STATE OF ILLINOIS
 DEPARTMENT OF TRANSPORTATION**

SCALE: NONE		SHEET NO. OF SHEETS		STA. TO STA.	
OUTLET FOR CONCRETE CURB AND GUTTER					

F.A.R. RTE.	SECTION	COUNTY	TOTAL SHEETS	SHEET NO.
4087	98-00024-00-WR	MCHENRY	115	70
BD600-01 (BD-03)		CONTRACT NO. 63592		
FED. ROAD DIST. NO. 1 ILLINOIS/FED. AID PROJECT				