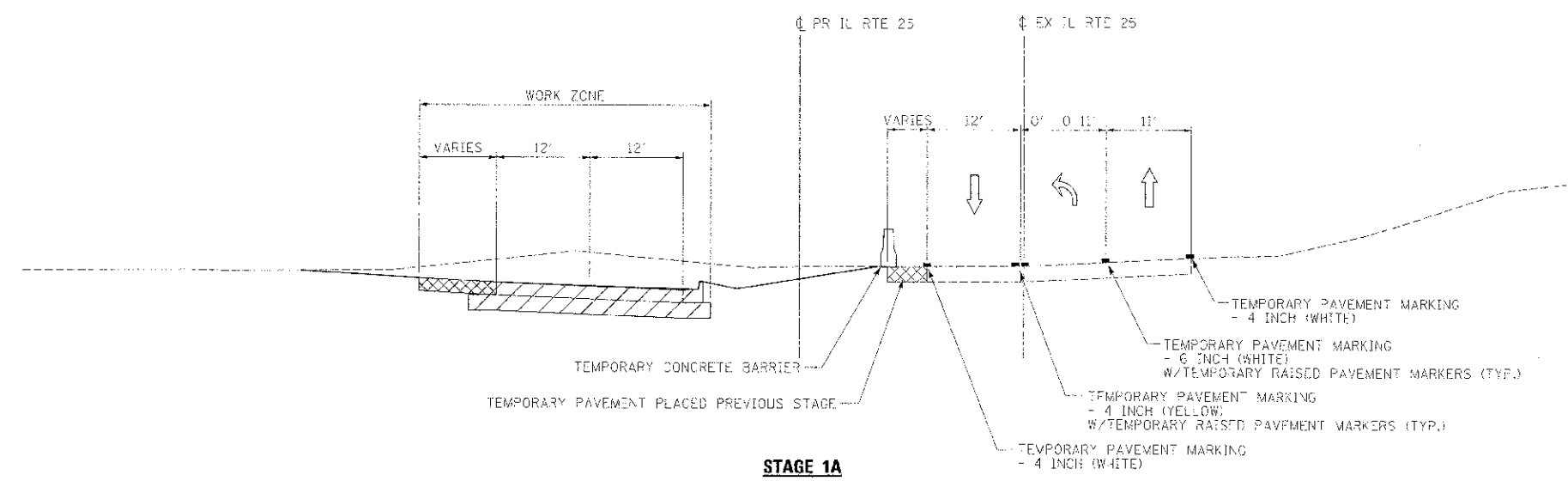



**STAGE 1A
IL RTE 25**

STA. 115+00 TO STA. 116+92



**STAGE 1A
IL RTE 25**

STA. 116+92 TO STA. 122+67

FILE NAME =	DESIGNED - AAA	REVISED -		STATE OF ILLINOIS DIVISION OF TRANSPORTATION	MAINTENANCE OF TRAFFIC TYPICAL SECTION - STAGE 1A	STATE PROJECT NO.	SECTION	COUNTY	TOTAL SHEETS	SHEET NO.
PROJECT NO. = 2726728J	DRAWN - TVB	REVISED -				36L	06-00214-18-RP	KANE	451	77
PREP NAME = talone	CHECKED - JMM	REVISED -				CONTRACT NO. 63598				
FILE NAME = 2726728J	DATE - 01/15/2013	REVISED -				ILLINOIS FED. AID PROJECT				
			SCALE: NTS	SHEET NO. 15 OF 61 SHEETS	STA. TO STA.					