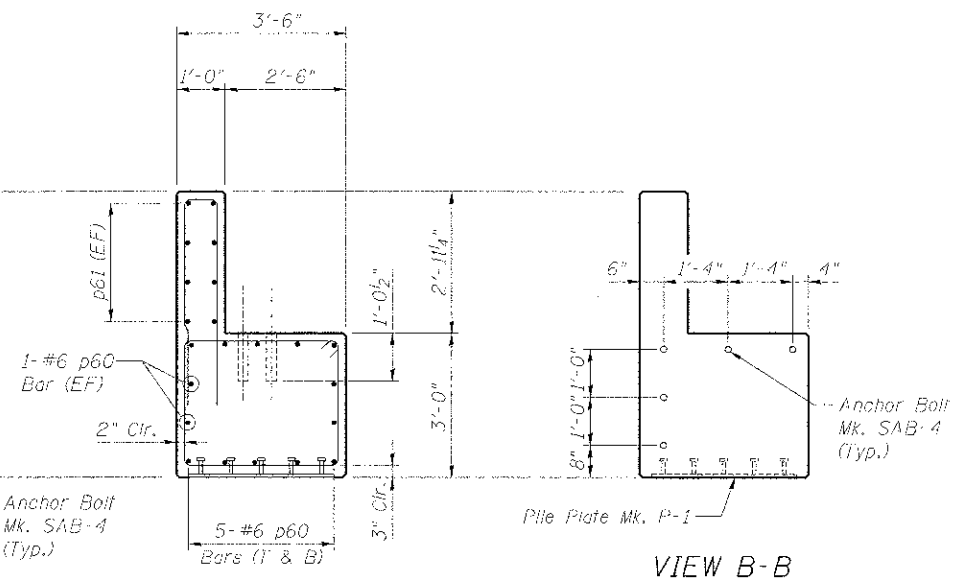
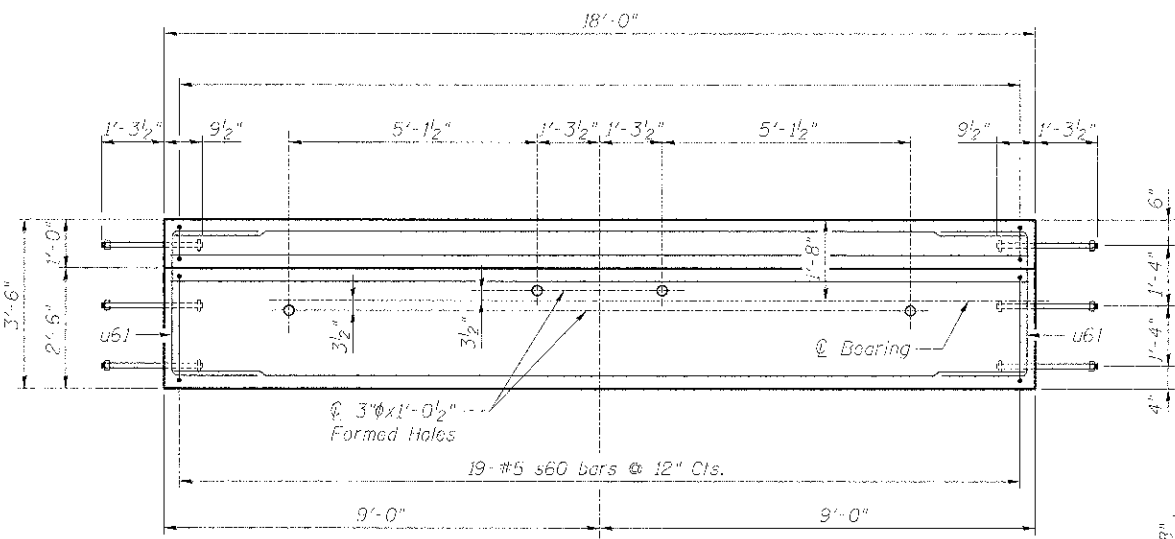


ELEVATION - PRECAST END BENT CAP MK. C-1
Estimated Wt. = 18.5 Tons
(2 Required)

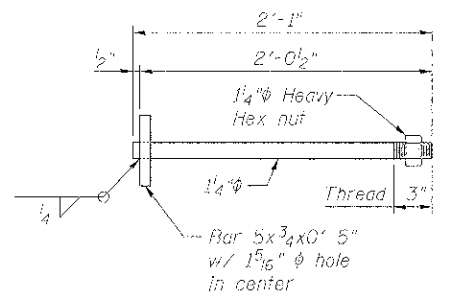


SECTION A-A

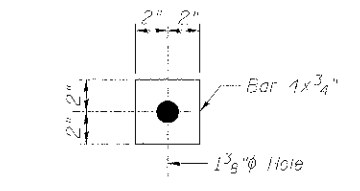
VIEW B-B



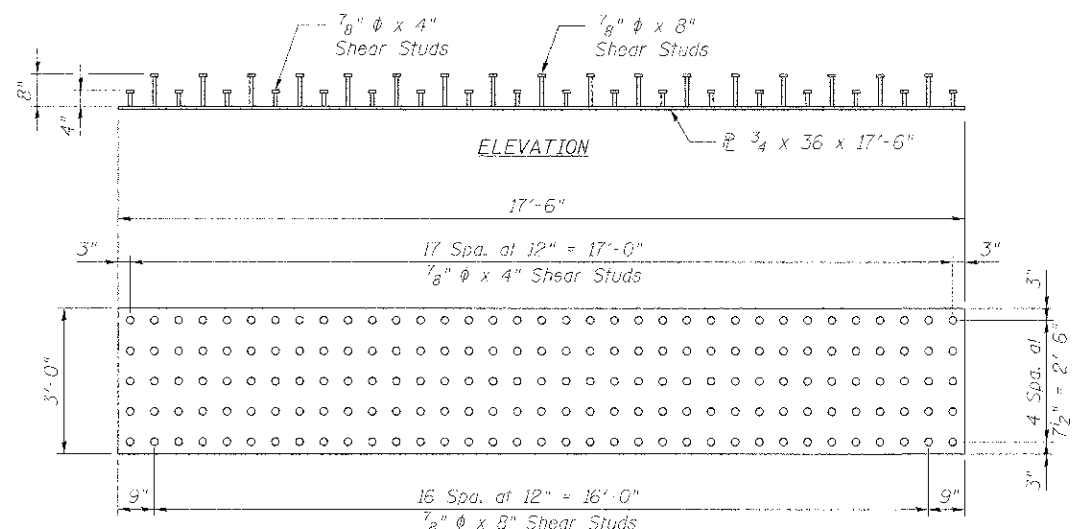
PLAN - PRECAST END BENT CAP MK. C1



ANCHOR BOLT MK. SAB-4
(10 Req'd per Bent)
Est. Wt. = 14.8 lbs. Each
(Galvanized)



WASHER MK. SABW-1
(10 Req'd per Bent)
Est. Wt. = 3.4 lbs. Each
(Galvanized)



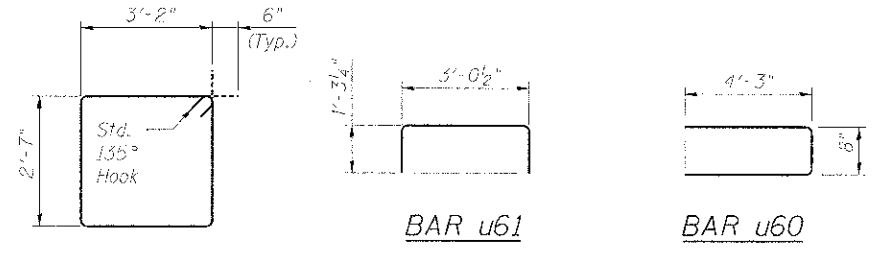
PILE PLATE MK. P-1
Estimated Wt. = 1805 lbs.
(2 Required)

FOR ONE MK. C-1

Bar	No.	Size	Length	Shape
p60	14	#5	17'-8"	—
p61	3	#5	17'-8"	—
s60	19	#5	12'-6"	□
u60	28	#6	9'-2"	—
u61	4	#5	5'-7"	—

	Unit	Req'd
Precast Concrete Structures	Cu. Yd.	3.0
Reinforcement Bars	Pound	1,180
Pile Plate MK. P-1	Pound	1,805

All bar dimensions shown are out to out of bars.



BAR s60

BAR u61

BAR u60

BILL OF MATERIAL*

ITEM	UNIT	TOTAL
Precast End Bent Cap Mk. C-1	Ea.	2
Pile Plate MK. P-1	Ea.	2
Reinforcing Steel (Per Schedule, this sheet)	Lof	?
Anchor Bolt MK. SAB-4	Ea.	20
Washer MK. SABW-1	Ea.	20

*For Information Only, items are included in cost of "Temporary Bridge".

NOTES:

- The Fabricator will be responsible for the design of the Lifting Loops or Lift Anchors for the Erection of the Precast members. Required details to be coordinated with the Contractor and approved by the Engineer.
- E.F. denotes Face Face.
- Pile Plate shall be A.S.T.M. A36 steel.
- Anchor Bolts shall be A.S.T.M. 1554, Grade 36.

benesch
engineers - scientists - planners
Alfred Benesch & Company
205 North Michigan Avenue, Suite 2400
Chicago, Illinois 60601
312-565-0450 Job No. 10074

STATE OF ILLINOIS
DEPARTMENT OF TRANSPORTATION

M.P. 37.71 BELVIDERE SUBDIVISION - TEMPORARY BRIDGE
PRECAST END BENT DETAILS

F.A.P. RTE.	SECTION	COUNTY	TOTAL SHEETS	SHEET NO.
361	06-00214-18-R7	KANE	451	303

CONTRACT NO. 63598

FILE NAME	USER NAME	DESIGNED	REVISIONS
Temp.Br..EBC..End..Bent.dgn	mgramm	JLS	
		LRB	
		RMG	
		LRB	

PLC1 SCALE
PLOT DATE = 12/13/2012

SHEET NO. UP-43 OF UP-52 SHEETS

ILLINOIS FED. AID PROJECT

X:\100005\10074\Engineering_Documents_Phase_II\SN_045_3169_UBRR\Bridge PLANS\Temp.Br..EBC..Bent.dgn 3/10/02 PM 12/13/2012