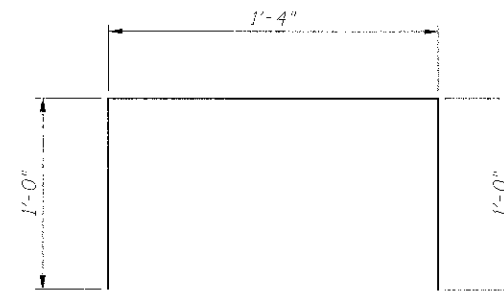


TYPICAL SECTION THRU ROADWAY

(Looking East)



BAR u(E)

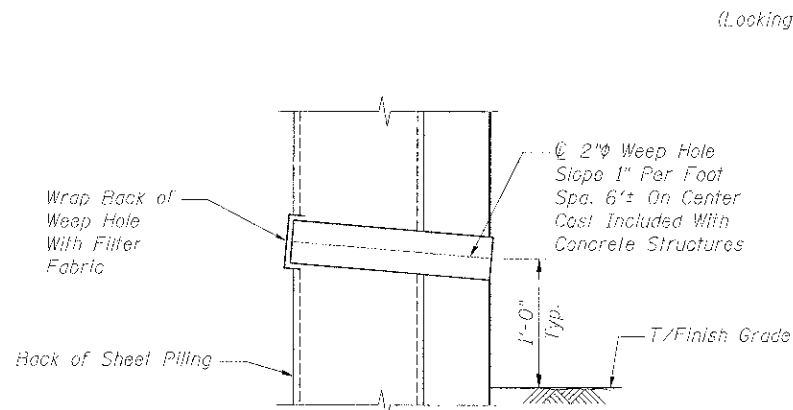
TOTAL BILL OF MATERIAL

ITEM	UNIT	TOTAL
Concrete Structures	Cu. Yd.	64.5
Stud Shear Connectors	Each	880
Reinforcement Bars, Epoxy Coated	Pound	4,530
Concrete Gutter, Type B	Foot	154
Chain Link Fence, 6'	Foot	154
Permanent Steel Sheet Piling	Sq. Ft.	4,670
Anti-Graffiti Protection System	Sq. Ft.	1,405
Form Liner Textured Surface (Special)*	Sq. Ft.	1,405

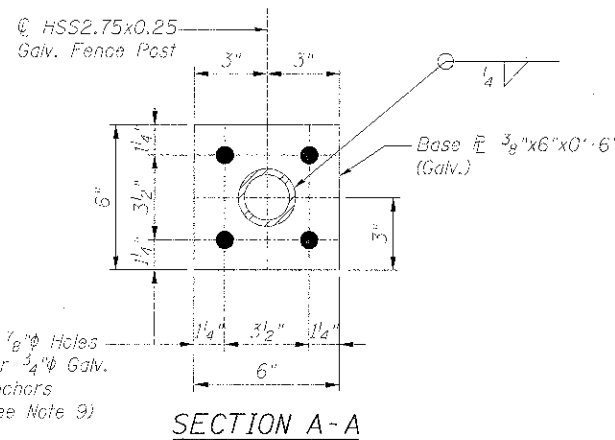
* See Special Provision

BAR LIST

Bar	No.	Size	Length	Shape
h(E)	75	#5	29'-3"	—
v(E)	155	#5	10'-4"	—
u(E)	155	#5	3'-4"	—

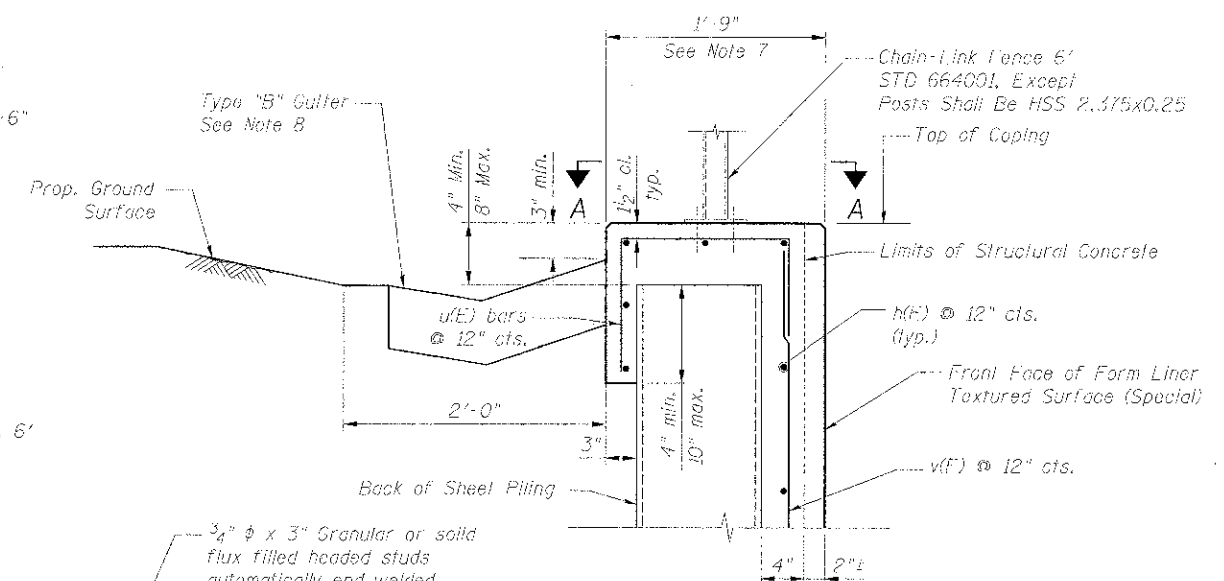


WEEP HOLE DETAIL



SECTION A-A

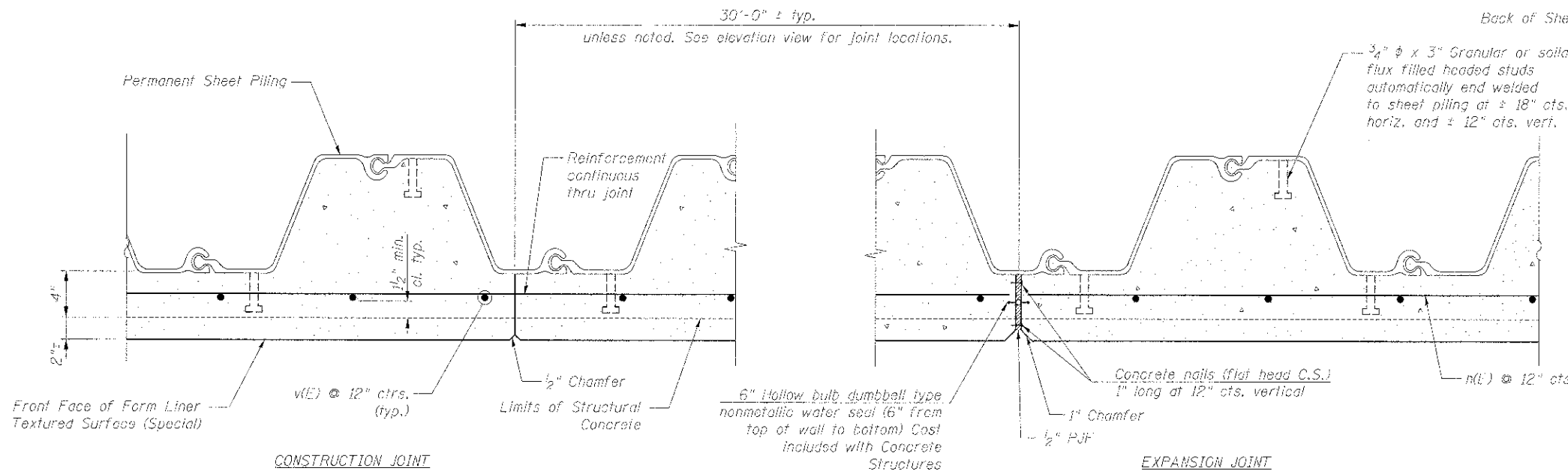
Cost of Base Plate & Anchors Shall be Included With Chain Link Fence, 6'



COPING DETAIL

GENERAL NOTES

1. Reinforcement bars shall conform to the requirements of ASTM A706 Gr 60. See Special Provisions.
2. Reinforcement bars designated (E) shall be epoxy coated.
3. Min. lap length #5 bar - 2'-2"
4. Bend h(E) bars in field as required.
5. Cut h(F) & v(F) bars in field as required.
6. Shear studs shall conform to the requirements of ASTM A108, Grades 1015, 1018, or 1020 and be either semi or fully killed.
7. Dimension shown is based on the use of PZ-27. If an alternate sheet pile section is chosen, this dimension must be adjusted.
8. Provide minimum 0.3% gutter slope.
9. Anchors for fence may either be mechanical expansion anchors or epoxy anchored rods. They shall be capable of developing an allowable tension capacity of 3,500 lbs each.



CONSTRUCTION JOINT

EXPANSION JOINT

TYPICAL SECTION THRU WALL

benesch
engineers · scientists · planners
Alfred Benesch & Company
205 North Michigan Avenue, Suite 2400
Chicago, Illinois 60601
312-565-0450 Job No. 10074

STATE OF ILLINOIS
DEPARTMENT OF TRANSPORTATION

RETAINING WALL DETAILS
STRUCTURE NO. 045-W016

SHEET NO. SR2 OF SR3 SHEETS

F.A.P. R.T.C.	SECTION	COUNTY	TOTAL SHEETS	SHEET NO.
361	06-00214-18-RP	KANE	451	314

CONTRACT NO. 63598
ILLINOIS FED. AID PROJECT

DESIGNED	CHECKED	DRAWN	CHECKED
JJC	LRB	JJC	LRB

USER NAME	DESIGNED	CHECKED	DRAWN	CHECKED
engrmm	JJC	LRB	JJC	LRB

082_RetainWallDetails.dgn

PLOT DATE = 12/13/2012

x:\100074\engineering\documents\phase_11\retaining_wall\plans\002-RetWallDetails.dgn 2:34:14 PM 12/13/2012