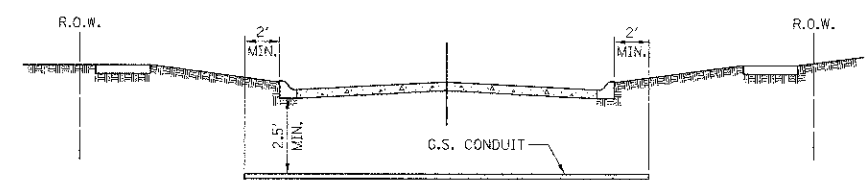


NOTE: NUMBER OF CABLES IN SPLICE MAY VARY  
SPLICING ELECTRIC CABLES  
BASIC MATERIALS AND METHODS



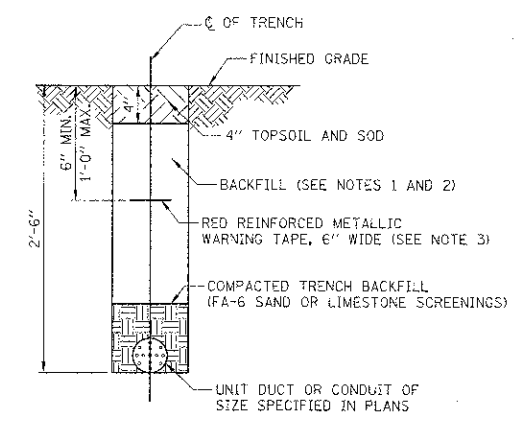
STREET CROSSING

- ① CONDUIT SHALL BE HEAVY WALL RIGID G.S. CONDUIT.
- ② CONDUIT SHALL EXTEND A MINIMUM OF 2 FT. BEYOND BACK OF CURB.
- ③ CONDUIT SHALL BE A MINIMUM OF 2.5 FT. BELOW BOTTOM OF CURB.

ELECTRICAL CONDUIT UNDER PAVEMENT

NOTES:

1. IN GRASS COVERED AREAS, THE BACKFILL MAY BE COMPACTED EARTH.
2. TRENCHES WITHIN 2' OF PROPOSED OR EXISTING STREETS, DRIVEWAYS, OR SIDEWALKS WILL BE BACKFILLED WITH COMPACTED FA-6 SAND OR LIMESTONE SCREENINGS.
3. WARNING TAPE WILL BE RED WITH BLACK LETTERING TO READ "CAUTION - ELECTRIC LINE BURIED BELOW".
4. ALL GRASS COVERED AREAS DISTURBED DURING CONSTRUCTION WILL BE RESTORED WITH 4" OF TOPSOIL AND SOD.



TYPICAL TRENCH CROSS SECTION

FILE NAME = ...2473.Lights.det.01.dgn	USER NAME = bas	DESIGNED - SJC	REVISED -	<b>STATE OF ILLINOIS DEPARTMENT OF TRANSPORTATION</b>	<b>LIGHTING DETAILS</b>		F.A.U. RTE.	SECTION	COUNTY	TOTAL SHEETS	SHEET NO.	
		DRAWN - SJC	REVISED -		SCALE: NONE	SHEET NO. 1 OF 1 SHEETS	STA.	4068	07-0031-00-PV	MCHEMRY	167	87
		CHECKED - DNM	REVISED -									
		DATE - 10/22/12	REVISED -					FED. ROAD DIST. NO. 1	ILLINOIS	FED. AID PROJECT XXX		