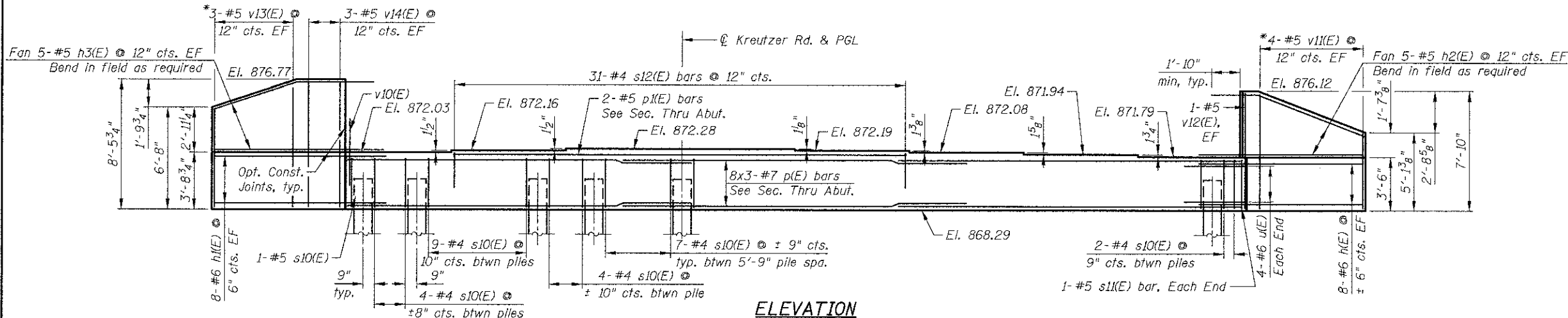


PILE DATA

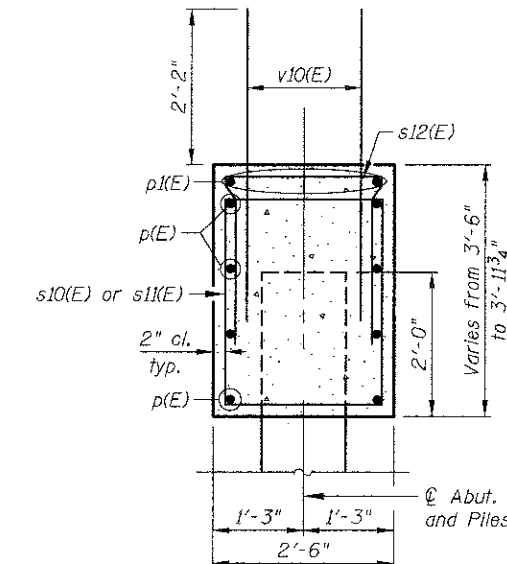
(North Abutment)

Type: Metal Shell Piles 14" ϕ x 0.312"
 Nominal Required Bearing: 363 kips
 Factored Resistance Available: 200 kips
 Est. Length: 41 feet
 No. Production Piles: 10
 No. Test Piles: 1



ELEVATION

* See Field Cutting Diagram



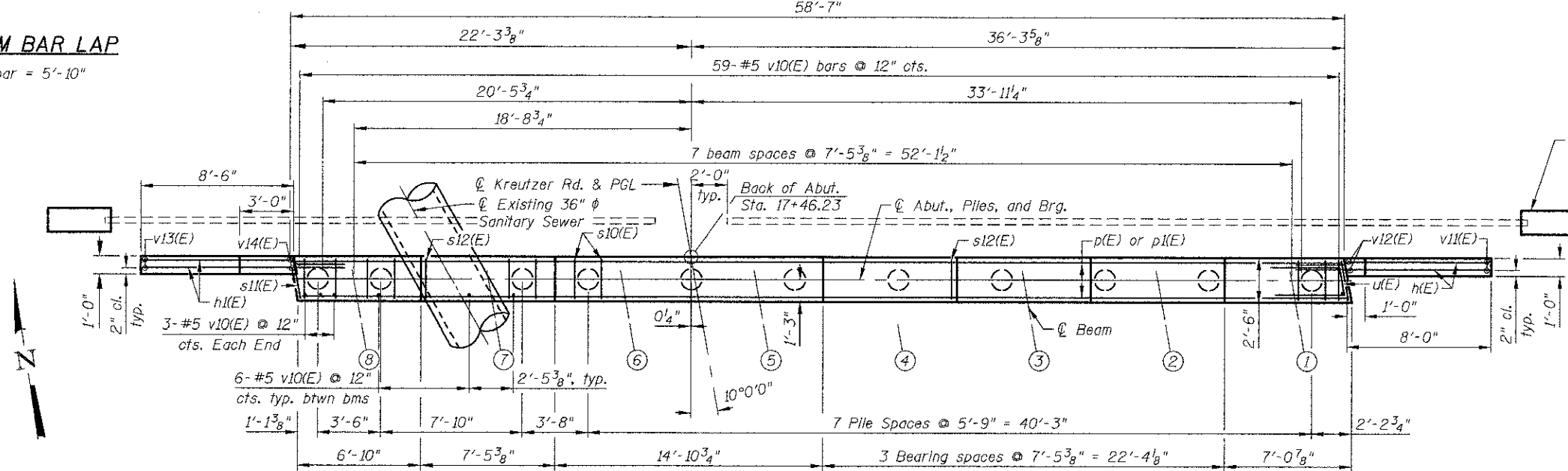
SECTION THRU ABUTMENT

BILL OF MATERIAL

Bar	No.	Size	Length	Shape
h1(E)	16	#6	10'-8"	—
h2(E)	16	#6	11'-2"	—
h3(E)	10	#5	10'-8"	—
h3(E)	10	#5	11'-0"	—
p(E)	24	#7	23'-4"	—
p1(E)	2	#5	29'-5"	—
s10(E)	69	#4	11'-5"	□
s11(E)	2	#4	11'-6"	□
s12(E)	31	#4	6'-4"	□
u(E)	8	#6	9'-6"	∩
v10(E)	107	#5	4'-4"	—
v11(E)	8	#5	12'-3"	—
v12(E)	2	#5	7'-6"	—
v13(E)	6	#5	14'-4"	—
v14(E)	6	#5	8'-2"	—
Item	Unit	Quantity		
Granular Backfill for Structures	Cu. Yd.	109		
Concrete Structures	Cu. Yd.	25.2		
Reinforcement Bars, Epoxy Coated	Pound	3,490		
Furnishing Metal Shell Piles 14" x 0.312"	Foot	410		
Driving Piles	Foot	410		
Test Pile Metal Shells	Each	1		
Geocomposite Wall Drain	Sq. Yd.	57		
Pipe Underdrain for Structures, 4"	Foot	75		

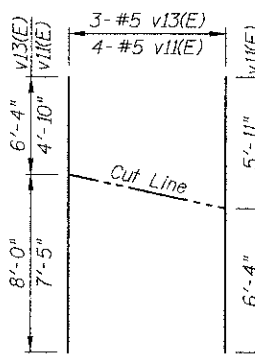
MINIMUM BAR LAP

#7 bar = 5'-10"

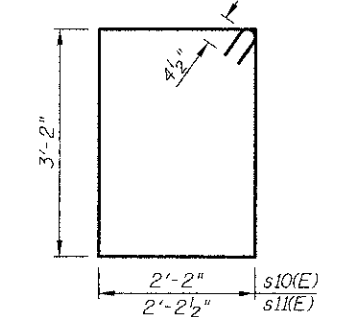


PLAN

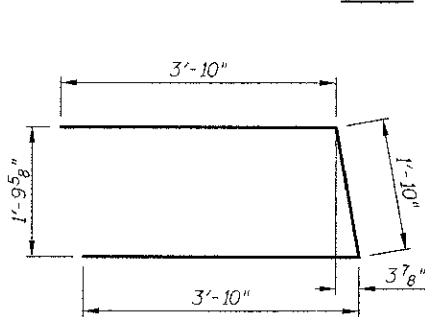
For details of concrete headwall and rodent shield, See IDOT std. 601101. Cost included with Pipe Underdrain for Structures, 4"



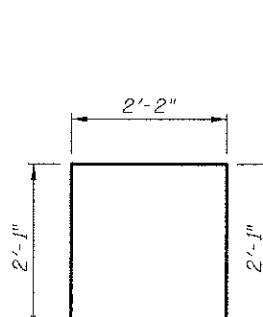
FIELD CUTTING DIAGRAM



BARS s10(E) AND s11(E)



BAR u(E)



BAR s12(E)

10/18/2012 5:51:04 PM I:\2473\cad\sheet\17-Structures\Bridges\13-North Abutment.dgn