

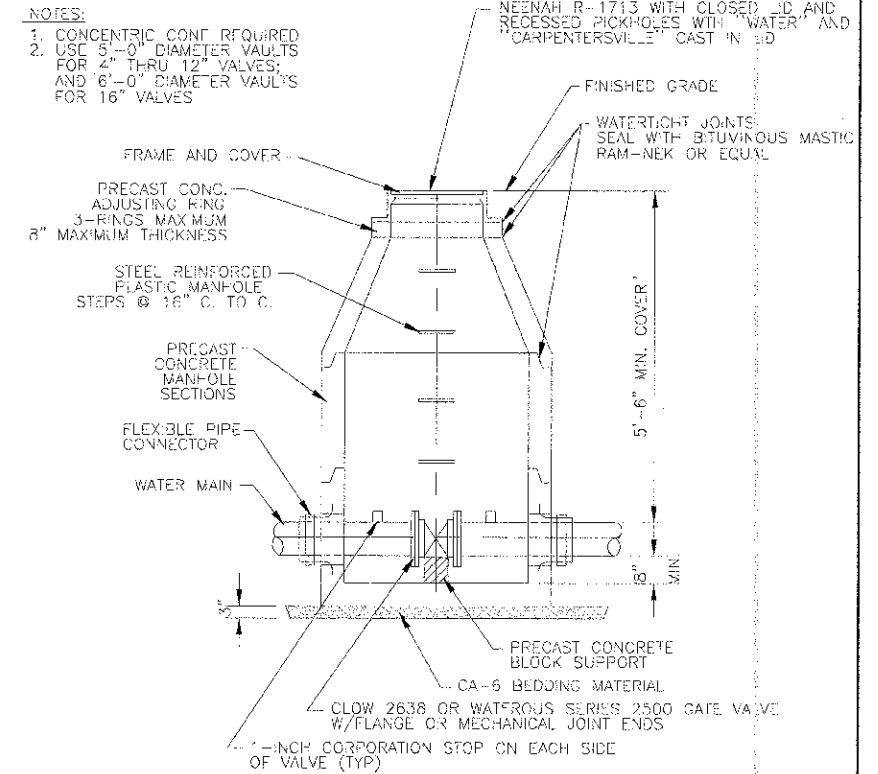
PLANS

TYPICAL THRUST BLOCK INSTALLATIONS

NO SCALE

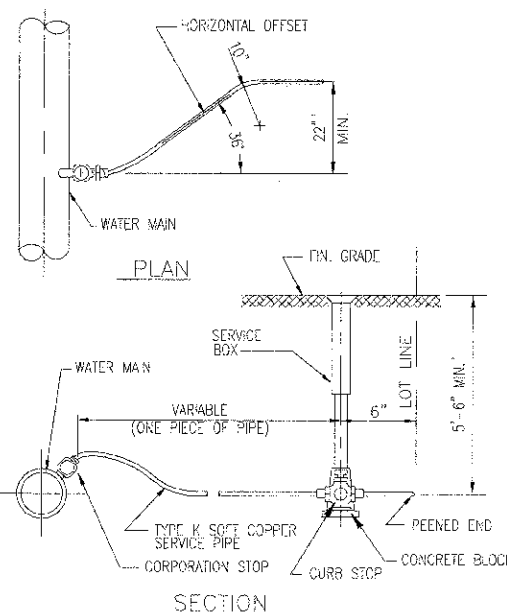
TO BE USED WITH MEGA-LUG PIPE RESTRAINT SYSTEM AT ALL CHANGE IN DIRECTION AND BENDS GREATER THAN 1 1/4 DEGREE.

- NOTES:
1. PROVIDE PRECAST CONCRETE THRUST BLOCKS OF ADEQUATE SIZE AND BEARING SURFACE TO PREVENT MOVEMENT OF PIPELINE UNDER PRESSURE.
 2. PLACE THE BASE AND THRUST BEARING SIDES OF THRUST BLOCK DIRECTLY AGAINST UNDISTURBED EARTH.
 3. PLACE THRUST BLOCKING SO THE FITTING JOINTS WILL BE ACCESSIBLE FOR REPAIR.



STANDARD VALVE VAULT DETAIL

NO SCALE

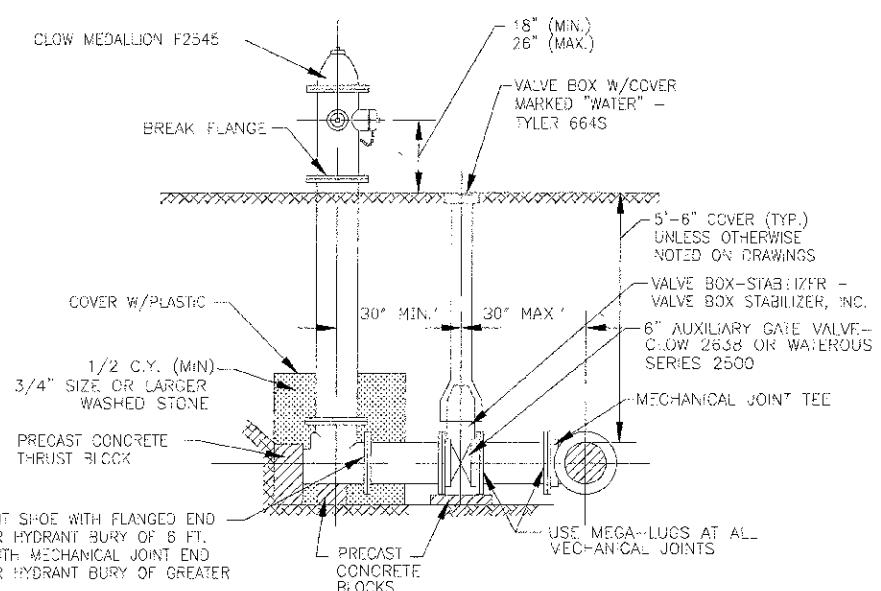


PART DESCRIPTION	SIZE	PRODUCT
CORPORATION STOP	1" - 1 1/4" / 1 1/2" - 2"	A.Y. McDONALD NO. 4701-T A.Y. McDONALD NO. 4750-ST W/SWIVEL NUT
CURB STOP	1" - 2"	A.Y. McDONALD NO. 6104-BT (MINNEAPOLIS PATTERN)
SERVICE BOX	1" - 2"	A.Y. McDONALD (UPPER SECTION 1 1/4" DIA.) (MINNEAPOLIS PATTERN)

* FOR SERVICE CONNECTIONS TO EXISTING CAST IRON AND ASBESTOS CEMENT WATER MAIN, USE SERVICE SADDLE - ROMAC 202N.

WATER SERVICE INSTALLATION

NO SCALE



PROVIDE HYDRANT SHOES WITH FLANGED END CONNECTION FOR HYDRANT BURY OF 6 FT. OR LESS AND WITH MECHANICAL JOINT END CONNECTION FOR HYDRANT BURY OF GREATER THAN 6 FT.

STANDARD FIRE HYDRANT INSTALLATION

NO SCALE

COPYRIGHT © 2012 BY BAKER & BODMAN, INC.
 STATE OF ILLINOIS - PREPARED BY BAKER & BODMAN, INC.
 235 W. WASHINGTON ST., SUITE 1000, CHICAGO, IL 60601-3000
 TEL: 312.467.2000 FAX: 312.467.2001
 WWW.BAKERANDBODMAN.COM



DESIGNED - SMV	REVISED - PER IDOT 10/19/12
DRAWN - UKB	REVISED -
CHECKED - RWL	REVISED -
DATE - 06/20/12	FILE - 110994-WM-Dets.snt

STATE OF ILLINOIS
DEPARTMENT OF TRANSPORTATION

WATER MAIN AND SANITARY SEWER
DETAILS

SCALE: NO SCALE STA. TO STA.

P.A.L. RTE. 4006	SECTION 95-00049-00-PV	COUNTY KANE	TOTAL SHEETS 72
			CONTRACT NO. 63745
FED. ROAD DIST. NO. 1 ILLINOIS FED. AID PROJECT M-8003 (095)			