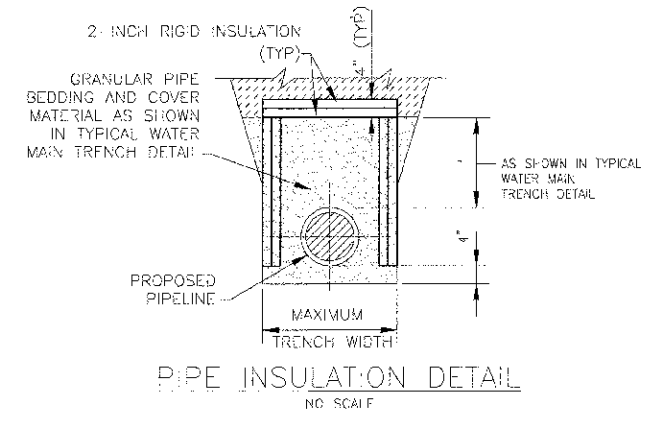
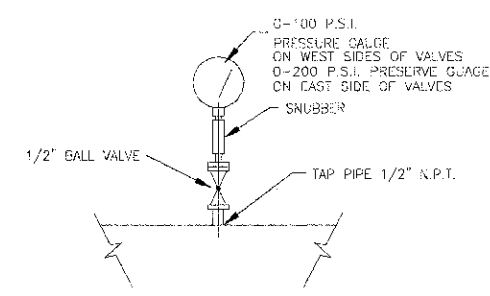


PRESSURE REDUCING VALVE AND VAULT DETAIL
SCALE: 3/4"=1'-0"

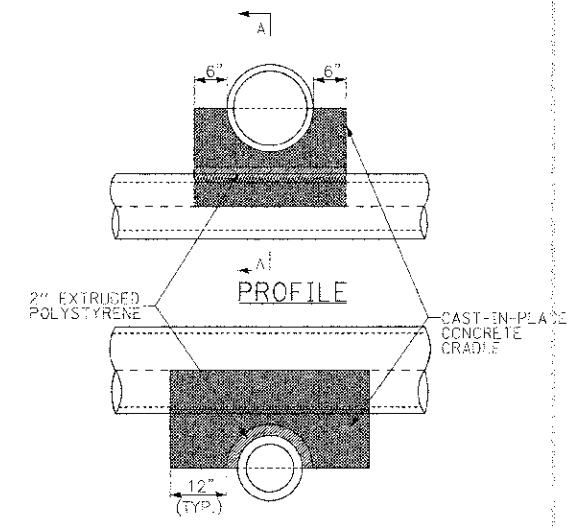
NOTE:
12" X 8" REDUCERS, AND THE 8" PIPING BETWEEN THE REDUCERS,
ARE CONSIDERED PART OF THE P.R.V. VAULT AND WILL NOT BE
PAID FOR SEPARATELY.



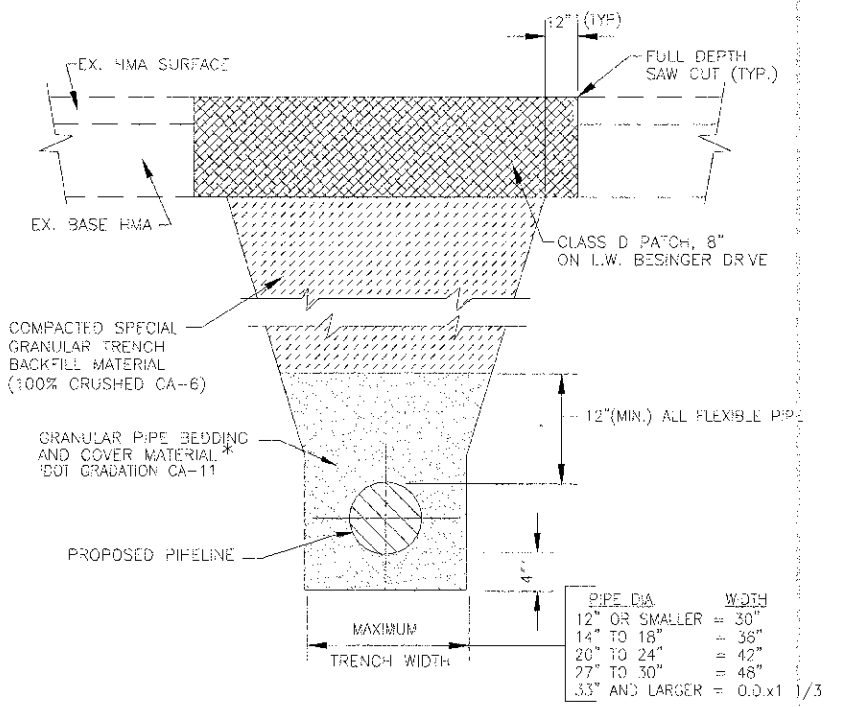
PIPE INSULATION DETAIL
NO SCALE



PRESSURE GAUGE PIPING DETAIL
NO SCALE



**SECTION A-A
CONCRETE CRADLE
FOR PIPE SUPPORT ***
NO SCALE
* TO BE USED WHEN CLEARANCE
BETWEEN PIPES IS 12" OR LESS



TYPICAL WATER MAIN TRENCH DETAIL
NO SCALE

* FOR FLEXIBLE THERMOPLASTIC OR HDPE PIPE COMPLY WITH
ASTM 2521, CLASS I OR II.
FOR RIGID PIPE COMPLY WITH ASTM C12, BEDDING CLASS B.

CONTRACT NO. 95-00049-00-PV
 STA. 0+00 TO 0+100
 SECTION 95-00049-00-PV
 COUNTY KANE
 FEDERAL ROAD DIST. NO. 1 ILLINOIS
 PROJECT M-6063 (095)



DESIGNED - SMV	REVISED - PER IDOT 10/19/12
DRAWN - UKB	REVISED -
CHECKED - RWL	REVISED -
DATE - 06/20/12	FILE - 110994-WM-Dets.sit

**STATE OF ILLINOIS
DEPARTMENT OF TRANSPORTATION**

**WATER MAIN AND SANITARY SEWER
DETAILS**

F.A.U. RTE. 4006	SECTION 95-00049-00-PV	COUNTY KANE	TOTAL SHEETS 38	SHEET NO. 73
SCALE: STA. TO STA.			CONTRACT NO. 63745	
FED. ROAD DIST. NO. 1 ILLINOIS FED. AID PROJECT M-6063 (095)				