

USE CLOSED SELF SEALING LID WITH "SANITARY" AND "CARPENTERSVILLE" CASTED IN LID AND NEENAH R-1713 FRAME. USE BOLTED AND GASKETED WATER-TIGHT FRAME AND LID. NEENAH R-1916-C WHEN BELOW FLOOD PROTECTED ELEVATIONS.

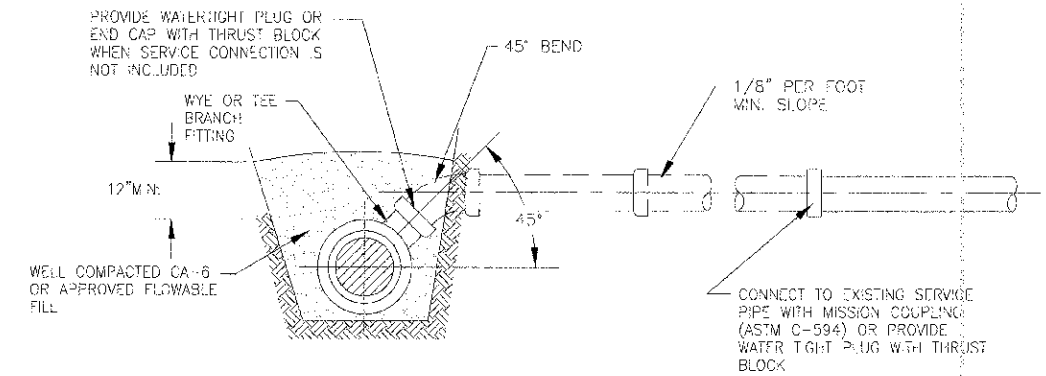
"A" - DIAMETER OF INCOMING SEWER
 "B" - DIAMETER OF DROP PIPE
 WHEN: "A"=12-INCH OR LESS, "B"="A" BUT NOT SMALLER THAN 8-INCH.
 WHEN: "A"-GREATER THAN 12-INCH, BUT LESS THAN OR EQUAL TO 18-INCH, "B"=12-INCH.
 WHEN: "A"-GREATER THAN 18-INCH, "B"=2/3 "A" MINIMUM.

NOTE:
 USE OUTSIDE DROP WHEN ANY ENTERING SEWER INVERT DIFFERS BY 2'-0" OR MORE FROM INVERT OF MANHOLE. MATCH CROWN OF OUTLET PIPE WHERE OUTLET PIPE IS 30-INCH DIA. OR SMALLER. SEE PLAN SHEETS FOR INVERT ELEVATIONS FOR PIPE SIZES LARGER THAN 30-INCH DIAMETER.

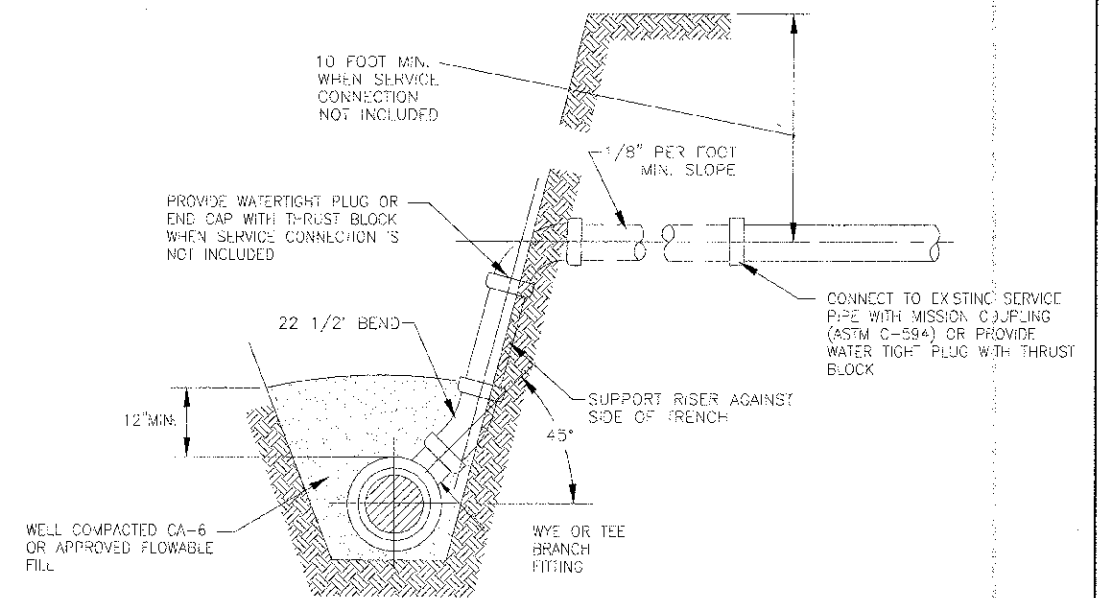
OUTSIDE DROP DETAIL

- NOTE:
1. ECCENTRIC CONES REQUIRED, FLAT SLAB TOPS DESIGNED FOR H2O LOADING PERMITTED ONLY FOR MANHOLES TOO SHALLOW FOR CONES.
 2. USE 4'-0" DIAMETER FOR SEWER SIZES 8" THRU 21", 5'-0" DIAMETER FOR SEWER SIZES 24" THRU 33", UNLESS OTHERWISE NOTED.

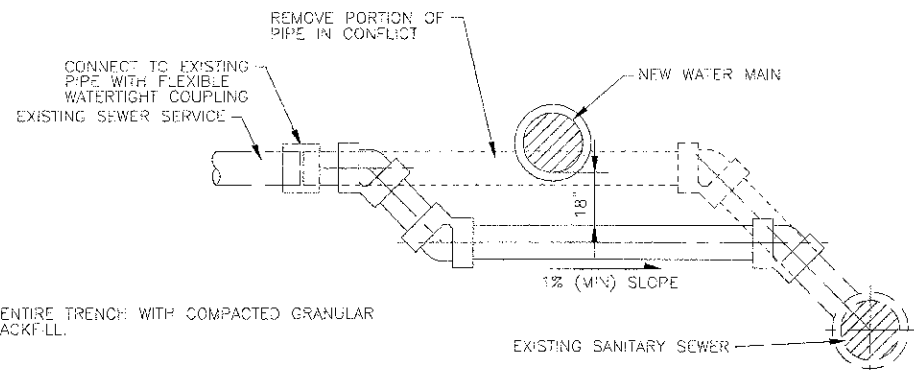
SANITARY MANHOLE DETAIL
 NO SCALE



BUILDING SERVICE DETAIL
 FOR SEWER INVERT DEPTHS TO 12 FEET

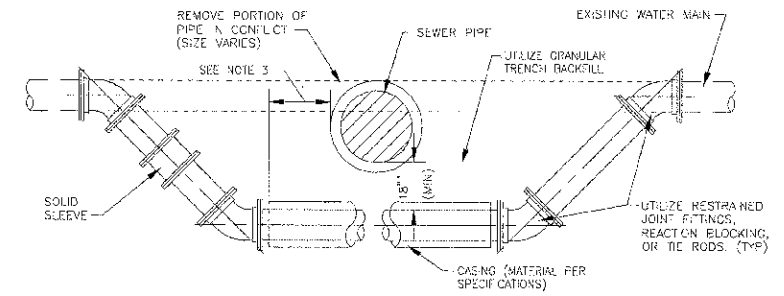


BUILDING SERVICE RISER DETAIL
 FOR SEWER INVERT DEPTHS OVER 12 FEET



- NOTES:
1. BACKFILL ENTIRE TRENCH WITH COMPACTED GRANULAR TRENCH BACKFILL.

ADJUSTING OF SANITARY SEWER SERVICE LINE DETAIL
 NO SCALE



- NOTE:
1. WATER MAIN RELOCATIONS ARE SUBJECT TO INSPECTION AT NORMAL SYSTEM PRESSURE BEFORE BURIAL.
 2. USE ONLY 45 DEGREE BENDS UNLESS OTHERWISE PERMITTED BY THE ENGINEER.
 3. CASING MUST EXTEND A MINIMUM OF 10 FEET BEYOND OUTSIDE EDGE OF SEWER PIPE - ON BOTH SIDES OF SEWER.

ADJUSTING WATER MAIN
 NO SCALE

COPYRIGHT © 2012 BY BAXTER & WOODMAN, INC.
 STATE OF ILLINOIS - PROFESSIONAL ENGINEER
 LICENSE NO. - 116700-0150-0000-0000-0000
 2300 WEST 110TH STREET, SUITE 100, MERRILLVILLE, IN 46461
 WWW.BAXTERANDWOODMAN.COM



DESIGNED - SMW	REVISED - PER IDOT 10/19/12
DRAWN - UKB	REVISED -
CHECKED - RWL	REVISED -
DATE - 06/20/12	FILE - 110994-WM-De1.sht

STATE OF ILLINOIS
 DEPARTMENT OF TRANSPORTATION

WATER MAIN AND SANITARY SEWER
 DETAILS

SCALE: NO SCALE STA. TO STA.

F.A.U. R.T.E.	SECTION	COUNTY	TOTAL SHEETS	SHEET NO.
4006	95-00049-00-PV	KANE	138	74
CONTRACT NO. 63745			FED. ROAD DIST. NO. 1 (ILLINOIS) FED. AID PROJECT M-8003 (095)	