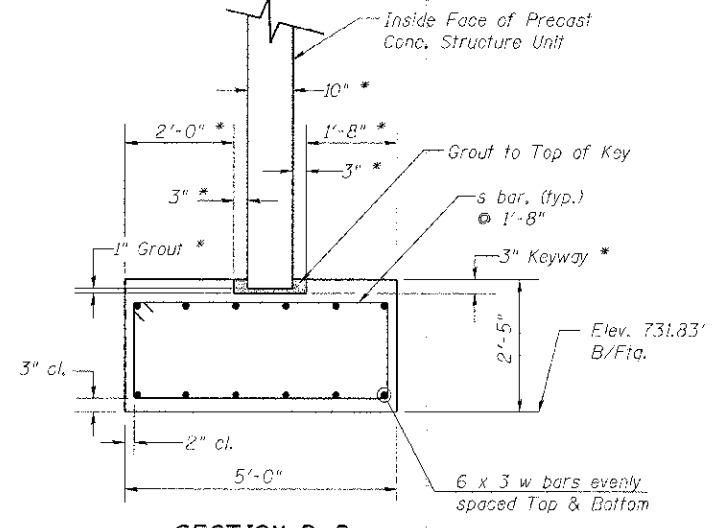


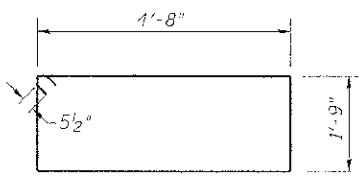
* Denotes dimensions to be determined by Three Sided Precast Concrete Structure Manufacturer.



Min. lap length for #6 bar = 3'-7"

Bars indicated thus 6 x 3 etc. indicates two lines of bars with three lengths per line.

NOTE: Fill entire Keyway including 1" void between Bottom of Keyway and Bottom of Precast Concrete leg with Grout



FOOTINGS
BILL OF MATERIAL

Bar	No.	Size	Length	Shape
n(E)	98	#6	6'-1"	U
s	126	#5	13'-9"	□
f	198	#5	9'-2"	—
w	72	#6	36'-8"	—
w1	48	#4	16'-5"	—
w2	24	#4	18'-5"	—
w3	24	#4	10'-6"	—
Concrete Structures			Cu Yd	141.7
Reinforcement Bars			Pound	8,660
Reinforcement Bars, Epoxy Coated			Pound	900

See Sheet 3 of 3 for Headwalls and Wingwalls.