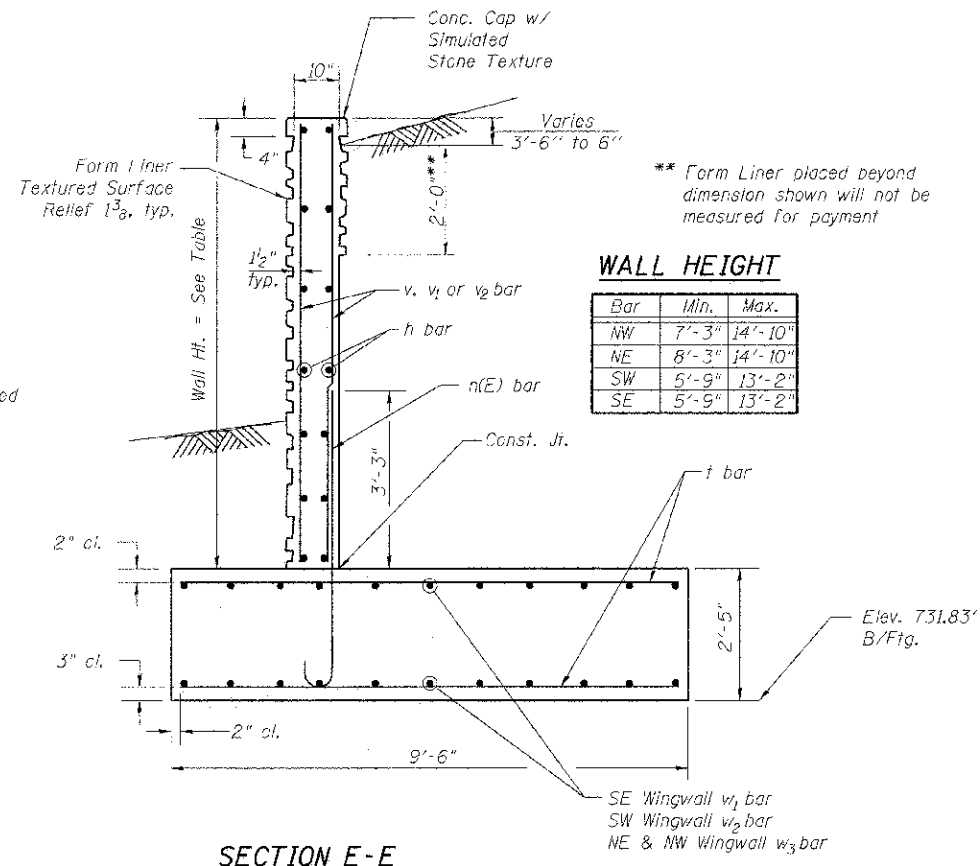


TYPICAL WINGWALL ELEVATION



SECTION E-E

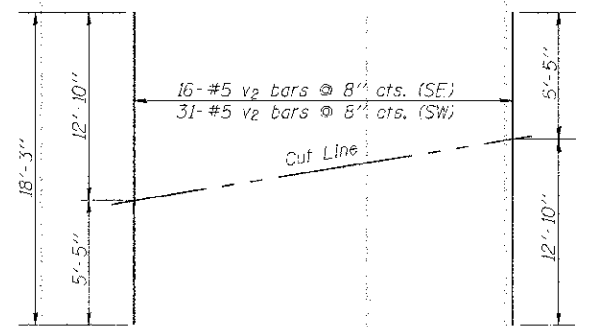
**WALL HEIGHT**

Bar	Min.	Max.
NW	7'-3"	14'-10"
NE	8'-3"	14'-10"
SW	5'-9"	13'-2"
SE	5'-9"	13'-2"

**HEADWALLS AND WINGWALLS  
BILL OF MATERIAL**

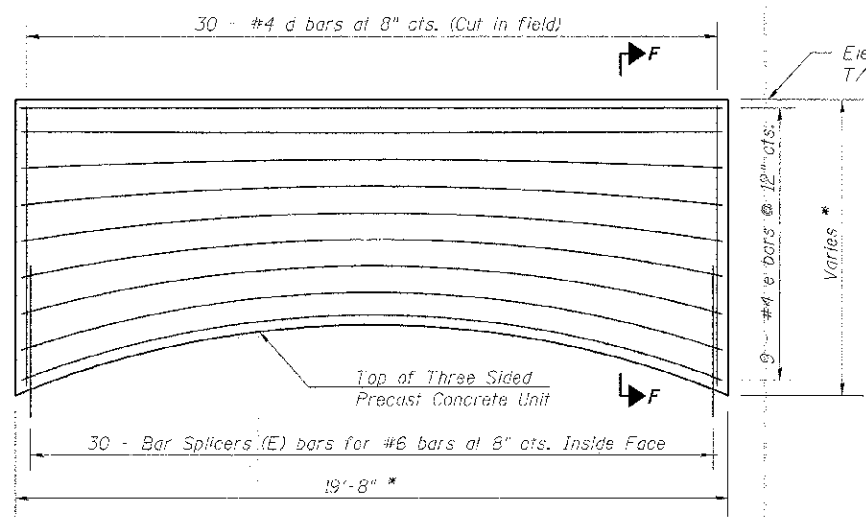
Bar	No.	Size	Length	Shape	
d	120	#4	7'-8"		
e	36	#4	19'-4"		
h	64	#4	16'-6"		
h1	28	#4	19'-9"		
h2	28	#4	10'-0"		
v	26	#4	21'-5"		
v1	26	#4	22'-5"		
v2	47	#4	18'-3"		
Concrete Structures				Cu Yd	37.5
Reinforcement Bars				Pound	3,690
Form Liner Textured Surface				Sq Ft	1,204
Concrete Surface Color Treatment				Sq Ft	1,204

See Sheet 2 of 3 for Footings.



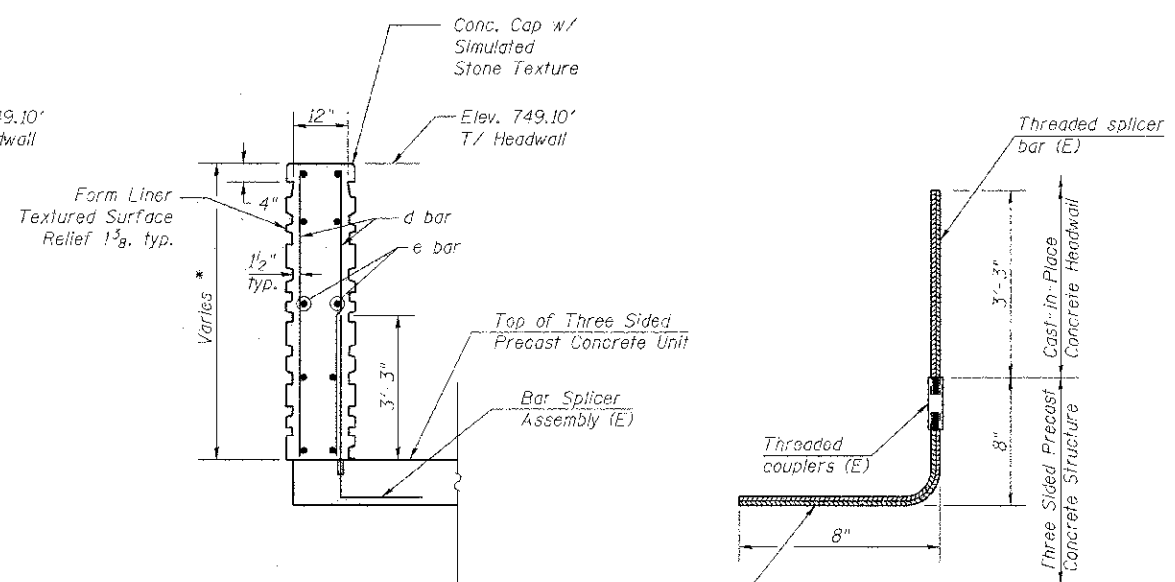
FIELD CUTTING DIAGRAM

Order v2 full length and cut as shown.

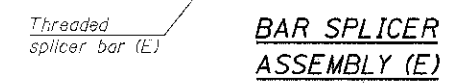


HEADWALL ELEVATION

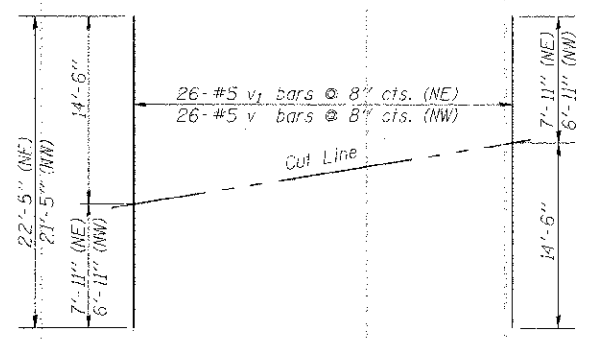
Notes: Cost of bar splicers in headwall is included in the cost of Three Sided Precast Concrete Structure. Work this sheet with Sheet 2 of 3.



SECTION F-F



BAR SPLICER ASSEMBLY (E)



FIELD CUTTING DIAGRAM

Order v & v1 full length and cut as shown.