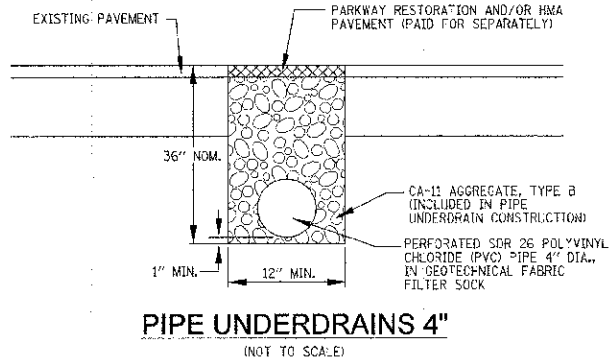
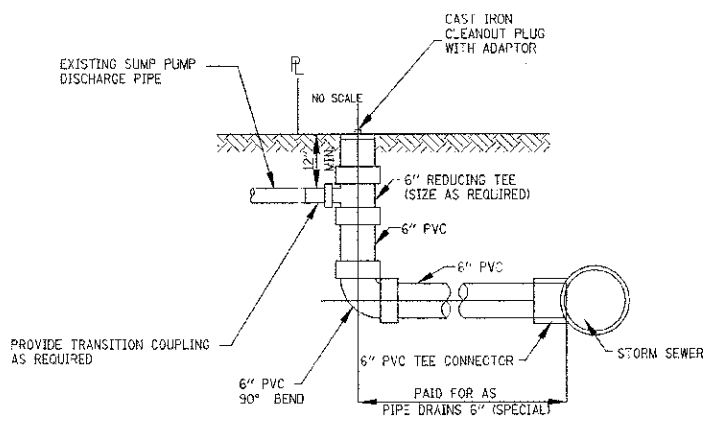


COMMERCIAL DRIVEWAYS

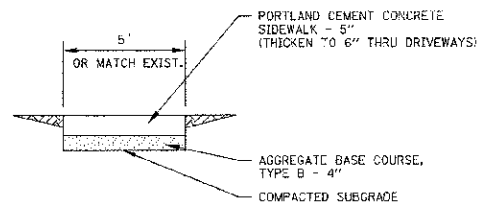


PIPE UNDERDRAINS 4"
(NOT TO SCALE)



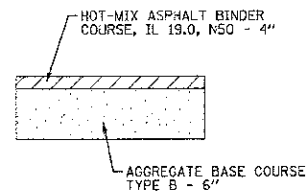
NOTE:
THE PIPE DRAINS 6" (SPECIAL) MAY ALSO CONNECT TO A STORM MANHOLE, INLET, OR STORM SEWER AS SHOWN ON THE P.LANS. THE SPECIFIC STORM DRAINAGE STRUCTURE IS NOT SHOWN IN THE DETAIL.

PIPE DRAINS 6" (SPECIAL)
(NOT TO SCALE)

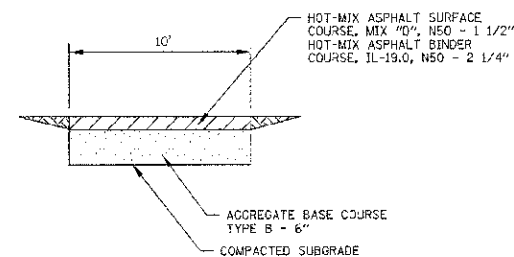


NOTE: PROVIDE FIBER EXPANSION JOINTS WHERE NEW SIDEWALK MEETS EXISTING AND @ 50' O.C. MAX. AND PROVIDE CONTROL JOINTS @ 5' O.C.

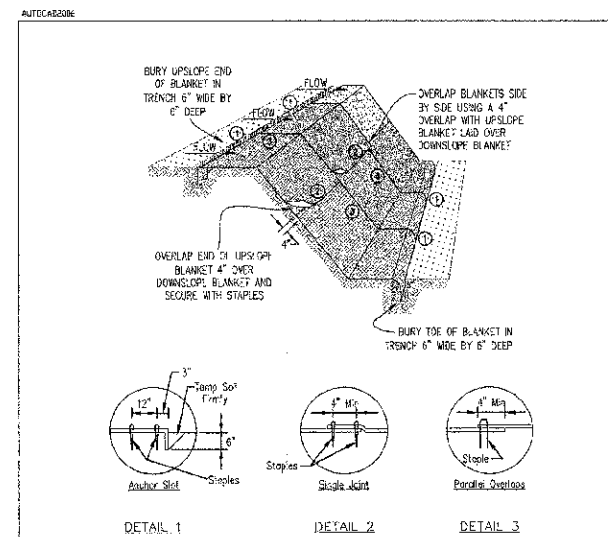
P.C.C. SIDEWALK - 5"
NO SCALE



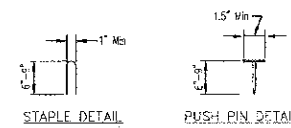
TEMPORARY PAVEMENT



HMA RECREATIONAL PATH
NO SCALE



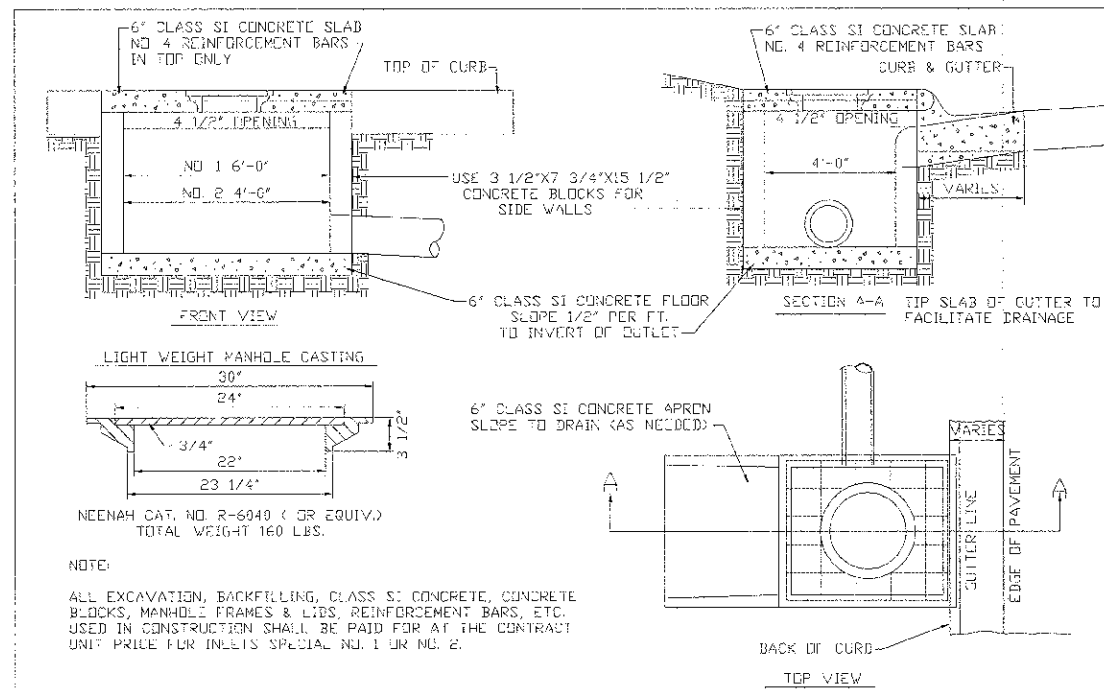
DETAIL 1
DETAIL 2
DETAIL 3



NOTES:

- Staples shall be placed in a diamond pattern at 2 per sq. ft. for erosion blankets. Non-stitched shall use 4 staples per sq. ft. of material. This equals to 200 staples with stitched blanket and 400 staples with non-stitched blanket per 100 sq. ft. of material.
- Staple or push pin lengths shall be selected based on soil type and conditions. (minimum staple length = 6")
- Erosion control material shall be placed in contact with the soil over a prepared seedbed.
- All anchor stakes shall be staked at approximately 12' intervals.

EROSION CONTROL BLANKET INSTALLATION DETAILS



DETAIL-IS2

INLETS SPECIAL NO.'S 1 & 2

COPYRIGHT © 2012 BY BAYNE & WOODMAN, INC.
 STATE OF ILLINOIS - PROFESSIONAL DESIGN FIRM
 LICENSE NO. 194-00017 - ENGINEER
 110994-Details-11/12/12
 110994-Details-11/12/12
 110994-Details-11/12/12



DESIGNED -	REVISED - PER IDOT 10/19/12
DRAWN - LKB	REVISED -
CHECKED - RWL	REVISED -
DATE - 06/20/12	FILE - 110994-Details-11/12/12

STATE OF ILLINOIS DEPARTMENT OF TRANSPORTATION

MISCELLANEOUS DETAILS

SCALE: NONE

STA. TO STA.

F.A.U. RITE	SECTION	COUNTY	TOTAL SHEETS	SHEET NO.
4006	95-00049-00-PV	KANE	138	95
			CONTRACT NO. 63745	
FED. ROAD DIST. NO. 1 ILLINOIS FED. AID PROJECT #-8003 (095)				