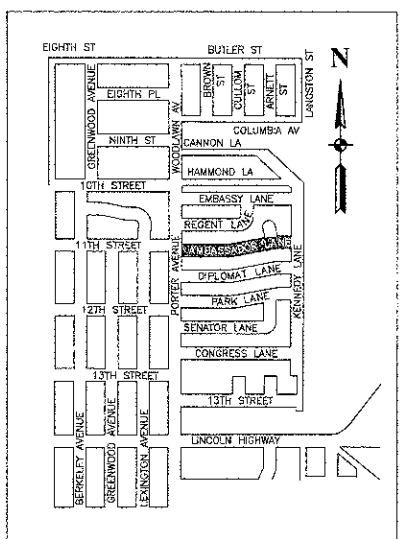
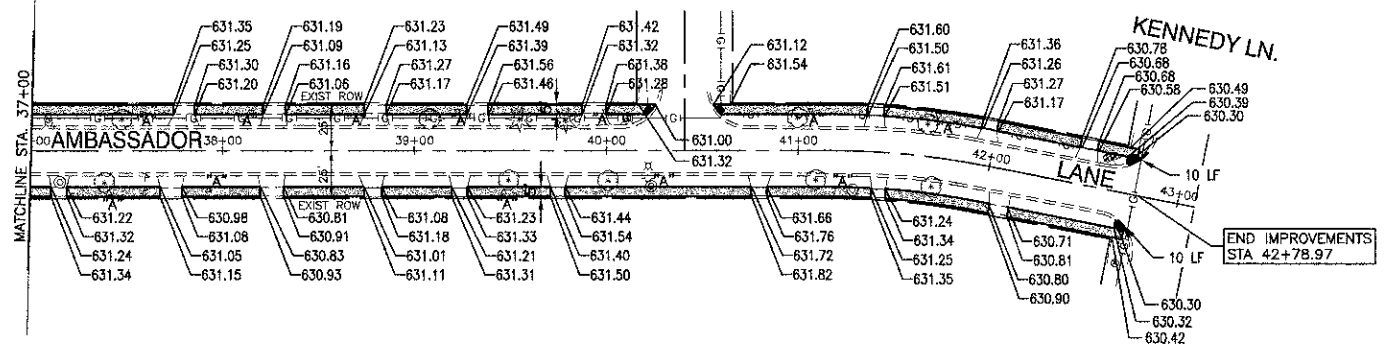


EXISTING CONDITIONS

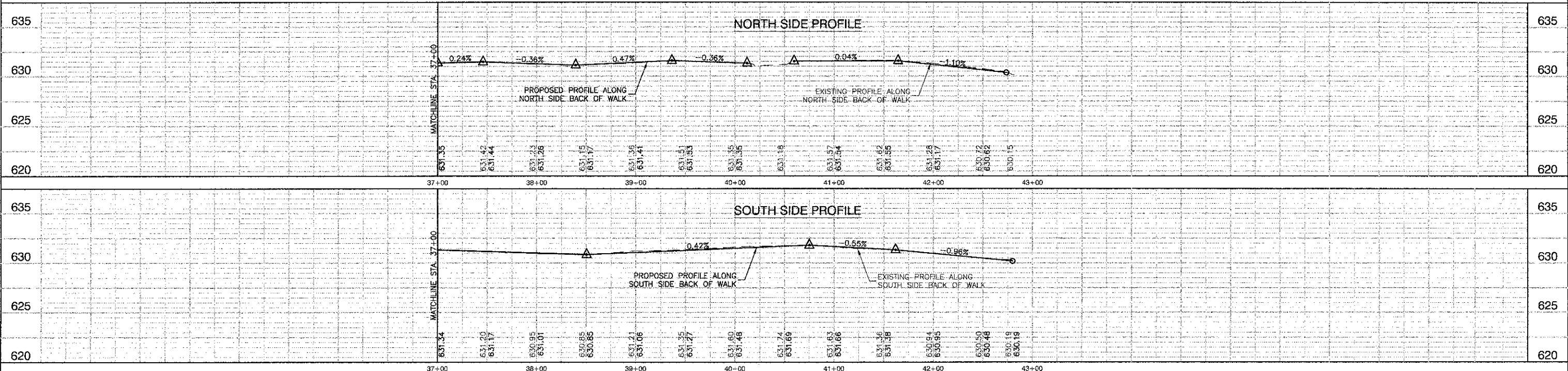


LOCATION MAP  
NOT TO SCALE



PROPOSED IMPROVEMENT

- LEGEND**
- CURB REMOVAL & REPLACEMENT
  - SIDEWALK REMOVAL
  - DRIVEWAY PAVEMENT REMOVAL
  - PORTLAND CEMENT CONCRETE SIDEWALK, 5" AGGREGATE BASE COURSE, TYPE B, 3"
  - DETECTABLE WARNINGS
  - HOT-MIX ASPHALT DRIVEWAY PAVEMENT, 4"
  - STABILIZED DRIVEWAY PAVEMENT
  - DOMESTIC WATER SERVICE BOXES TO BE ADJUSTED
  - MANHOLES TO BE ADJUSTED



FILE NAME = 12584-PLPH-02 IDOT P04	USER NAME =	DESIGNED -- JPH/TAG	REVISED --	STATE OF ILLINOIS DEPARTMENT OF TRANSPORTATION	SIDEWALK CONSTRUCTION VILLAGE OF FORD HEIGHTS AMBASSADOR LANE SIDEWALK PLAN AND PROFILE	F.A.U. RTE.	SECTION	COUNTY	TOTAL SHEETS	SHEET NO.	
	PLOT SCALE = 1"=50'	CHECKED -- PKB	REVISED --			N/A	07-00010-01-SW	COOK	8	7	
	PLOT DATE = 02-01-13	DRAWN -- LTL/RG	REVISED --			SCALE: H 1"=50' V 1"=5' SHEET NO. 7 OF 8 SHEETS STA. 37+00 TO STA. 42+78.97					
		CHECKED -- AG	REVISED --			FED. ROAD DIST. NO. 1 ILLINOIS FED. AID PROJECT CONTRACT NO. 63802					