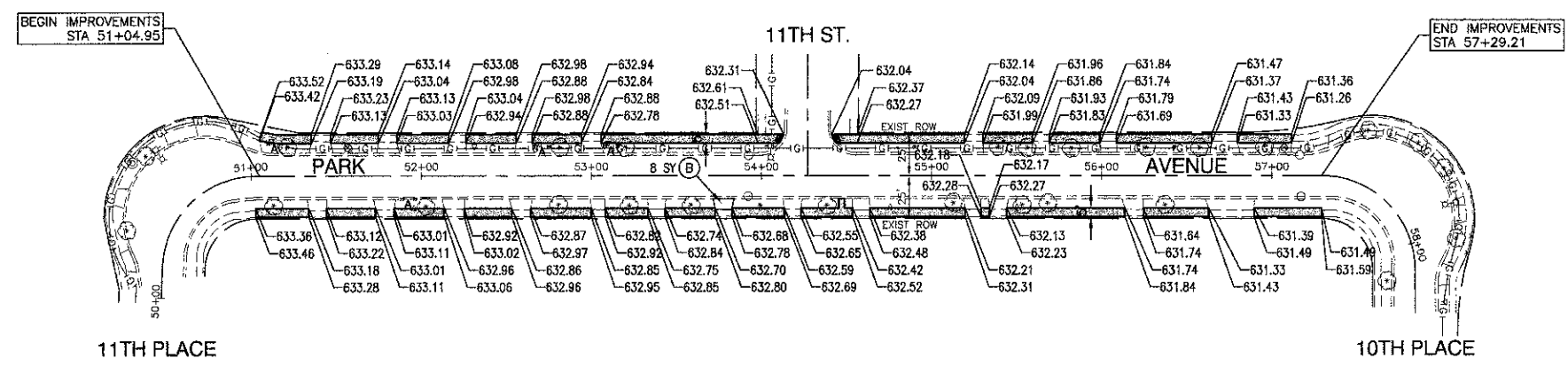


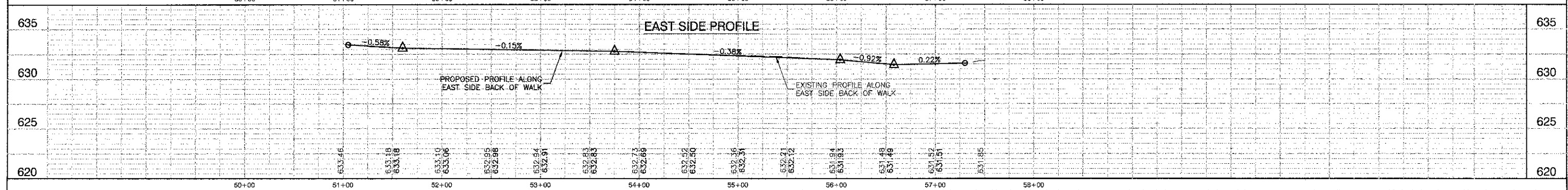
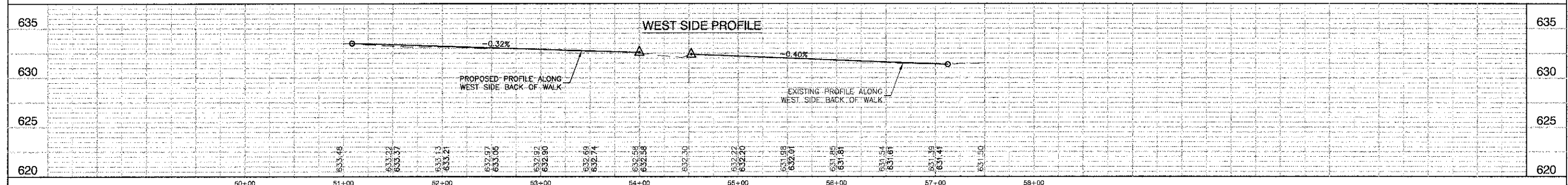
LOCATION MAP  
NOT TO SCALE



LEGEND

- CURB REMOVAL & REPLACEMENT
- SIDEWALK REMOVAL
- DRIVEWAY PAVEMENT REMOVAL
- PORTLAND CEMENT CONCRETE SIDEWALK, 5" AGGREGATE BASE COURSE, TYPE B, 3"
- DETECTABLE WARNINGS
- HOT-MIX ASPHALT DRIVEWAY PAVEMENT, 4"
- STABILIZED DRIVEWAY PAVEMENT
- DOMESTIC WATER SERVICE BOXES TO BE ADJUSTED
- MANHOLES TO BE ADJUSTED

PROPOSED IMPROVEMENT



FILE NAME = 12984-PUPH-02 IDOT P05  
 USER NAME =  
 PLOT SCALE = 1"=50'  
 PLOT DATE = 02-01-13

DESIGNED — JPH/TAG	REVISIONS —
CHECKED — PKB	REVISIONS —
DRAWN — LTL/RG	REVISIONS —
CHECKED — AG	REVISIONS —

STATE OF ILLINOIS  
 DEPARTMENT OF TRANSPORTATION

SIDWALK CONSTRUCTION  
 VILLAGE OF FORD HEIGHTS  
 PARK AVENUE SIDEWALK PLAN AND PROFILE  
 SCALE: H 1"=50' V 1"=5'  
 SHEET NO. 8 OF 8 SHEETS  
 STA. 51+04.95 TO STA. 57+29.21

F.A.U. RTE.	SECTION	COUNTY	TOTAL SHEETS	SHEET NO.
N/A	07-00010-01-SW	COOK	8	8
CONTRACT NO. 63802				
FED. ROAD DIST. NO. 1 ILLINOIS FED. AID PROJECT				