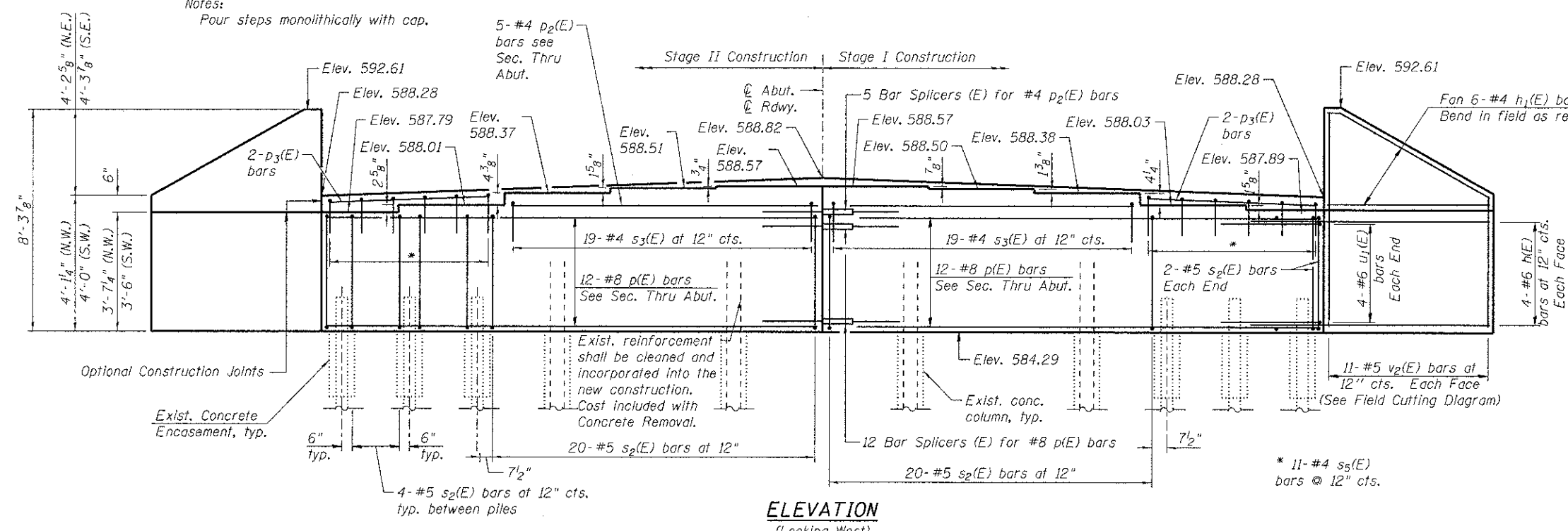
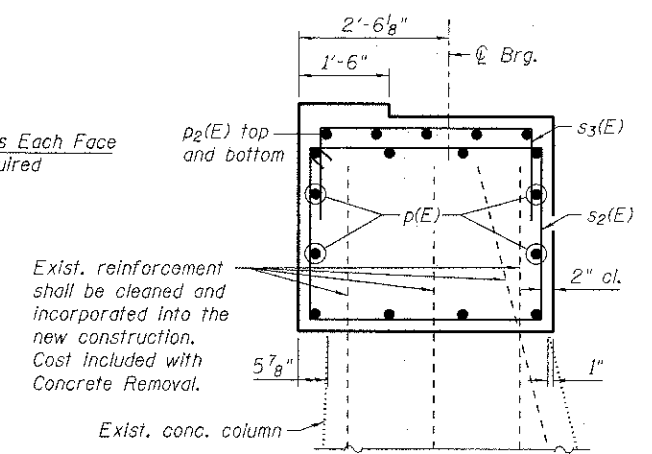


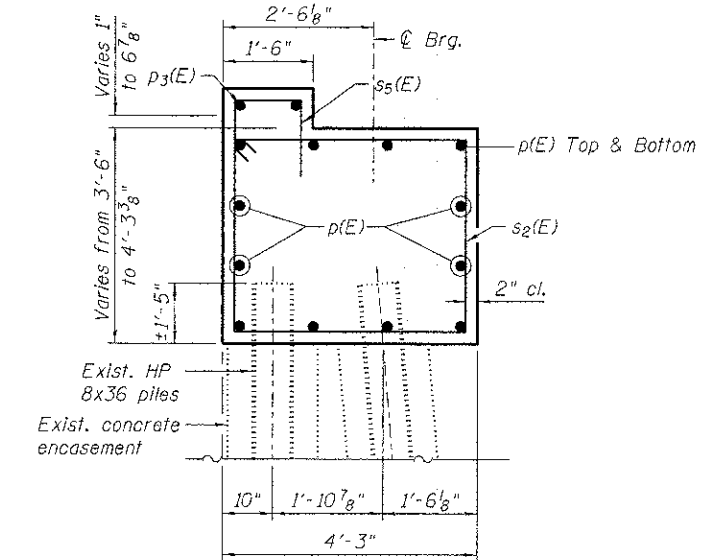
Notes:
Pour steps monolithically with cap.



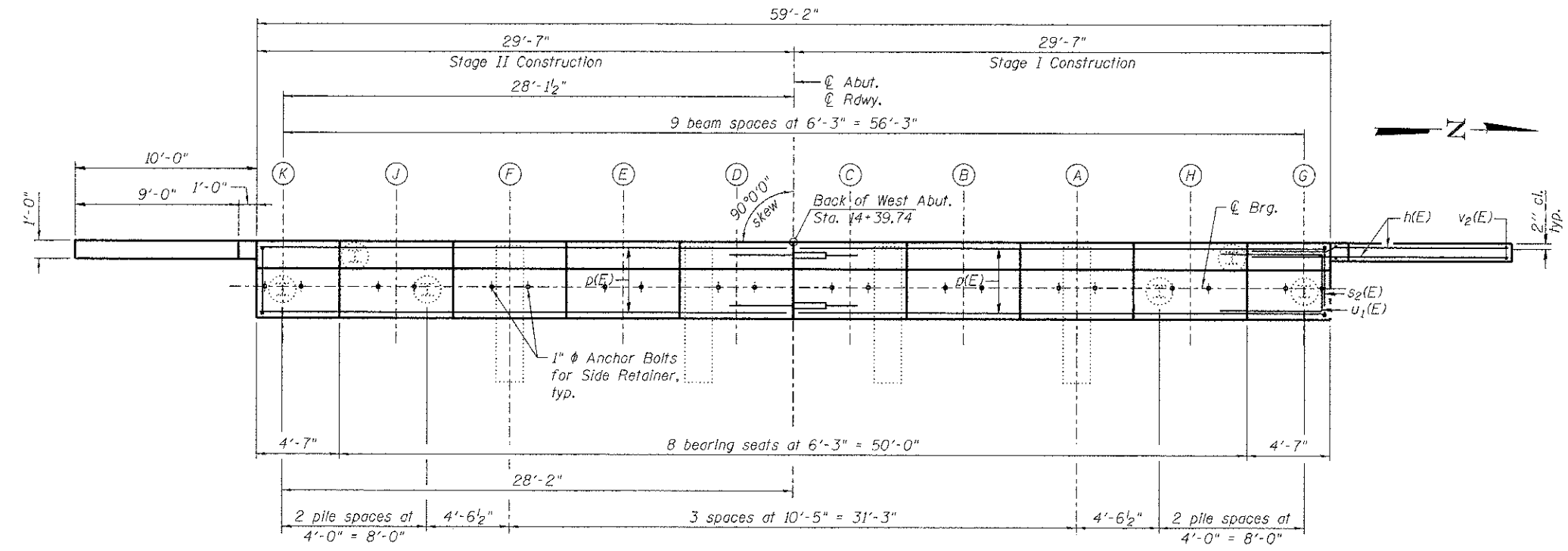
ELEVATION
(Looking West)



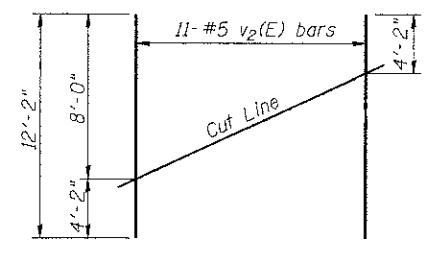
SEC. THRU ABUT. AT COLUMNS



SEC. THRU ABUT. AT PILES

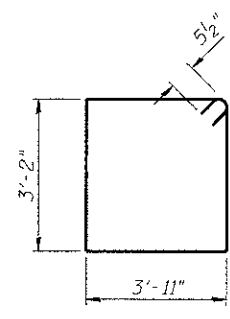


PLAN

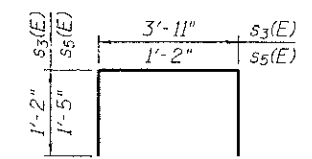


FIELD CUTTING DIAGRAM

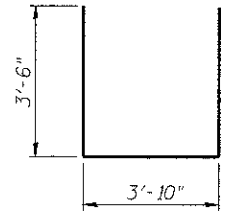
Order v₂(E) full length. Cut as shown and use remainder of bars in opposite face.



BAR s₂(E)



BARS s₃(E) and s₅(E)



BAR u₁(E)

BILL OF MATERIAL

| Bar No. | Size | Length | Shape |
|-------------------------------------|---------|---------|-------|
| h(E) | # 6 | 13'-4" | — |
| h ₁ (E) | # 4 | 9'-8" | — |
| p(E) | # 8 | 29'-3" | — |
| p ₂ (E) | # 4 | 12'-2" | — |
| p ₃ (E) | # 4 | 10'-6" | — |
| s ₂ (E) | # 5 | 15'-1" | U |
| s ₃ (E) | # 4 | 6'-3" | — |
| s ₅ (E) | # 4 | 4'-0" | — |
| u ₁ (E) | # 6 | 10'-10" | U |
| v ₂ (E) | # 5 | 12'-2" | — |
| Structure Excavation | Cu. Yd. | 84 | |
| Concrete Structures | Cu. Yd. | 43.2 | |
| Reinforcement Bars, Epoxy Coated | Pound | 4,030 | |
| Geocomposite Wall Drain | Sq. Yd. | 66 | |
| Porous Granular Embankment, Special | Cu. Yd. | 106 | |
| Pipe Underdrain for Structures, 4" | Foot | 90 | |

For details of Bar Splicers, see sheet S-24 of S-24. For limits of removal, see sheet S-5.

N:\PROJ\0002488\06\Design\Structure\CAU\099-3031_0003408_21.W Abutment_Details.dgn



USER NAME = rdenley
DESIGNED - MHT
CHECKED - SMY
DRAWN - SRG
CHECKED - BWS
PLOT SCALE = 4,000,000 / 1"
PLOT DATE = 1/28/2013

REVISÉ -
REVISÉ -
REVISÉ -
REVISÉ -

STATE OF ILLINOIS
DEPARTMENT OF TRANSPORTATION

WEST ABUTMENT DETAILS
STRUCTURE NO. 099-3031
SHEET NO. S-21 OF S-24 SHEETS

| F.A.U. RTE. | SECTION | COUNTY | TOTAL SHEETS | SHEET NO. |
|---------------------------|----------------|--------|--------------|-----------|
| 298 | 04-00069-18-BR | WILL | 51 | 42 |
| CONTRACT NO. 63803 | | | | |
| ILLINOIS FED. AID PROJECT | | | | |