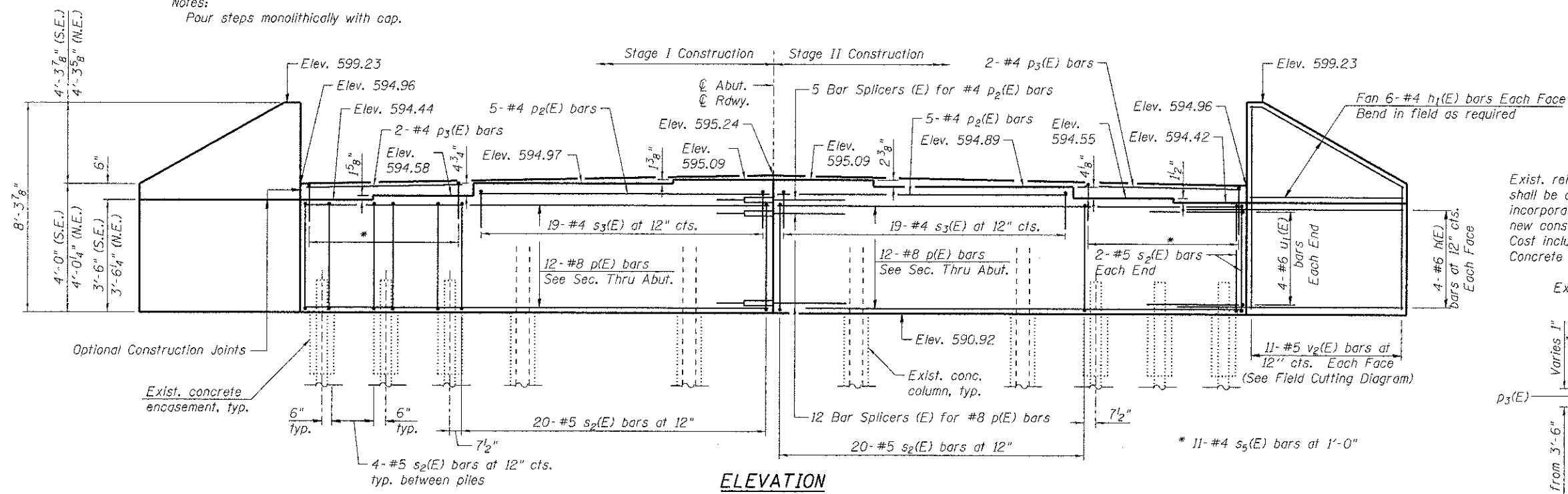
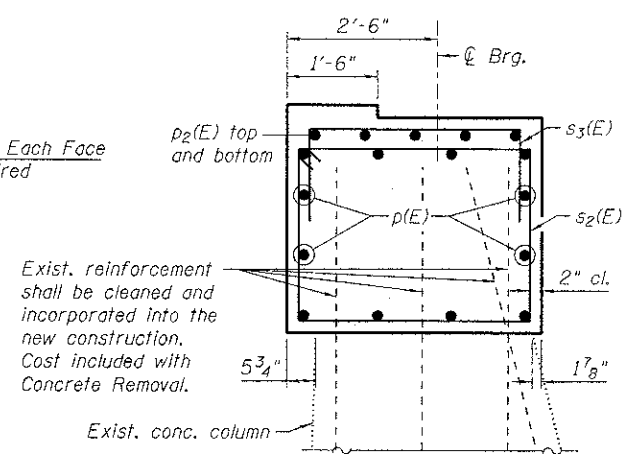


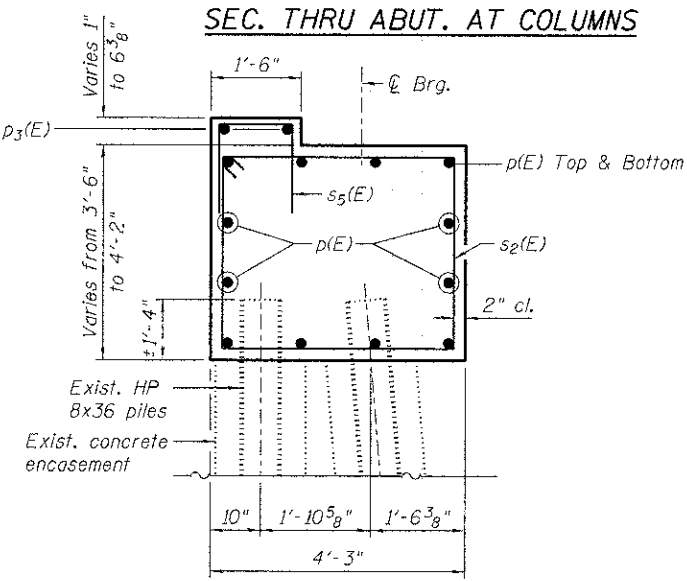
Notes:
Pour steps monolithically with cap.



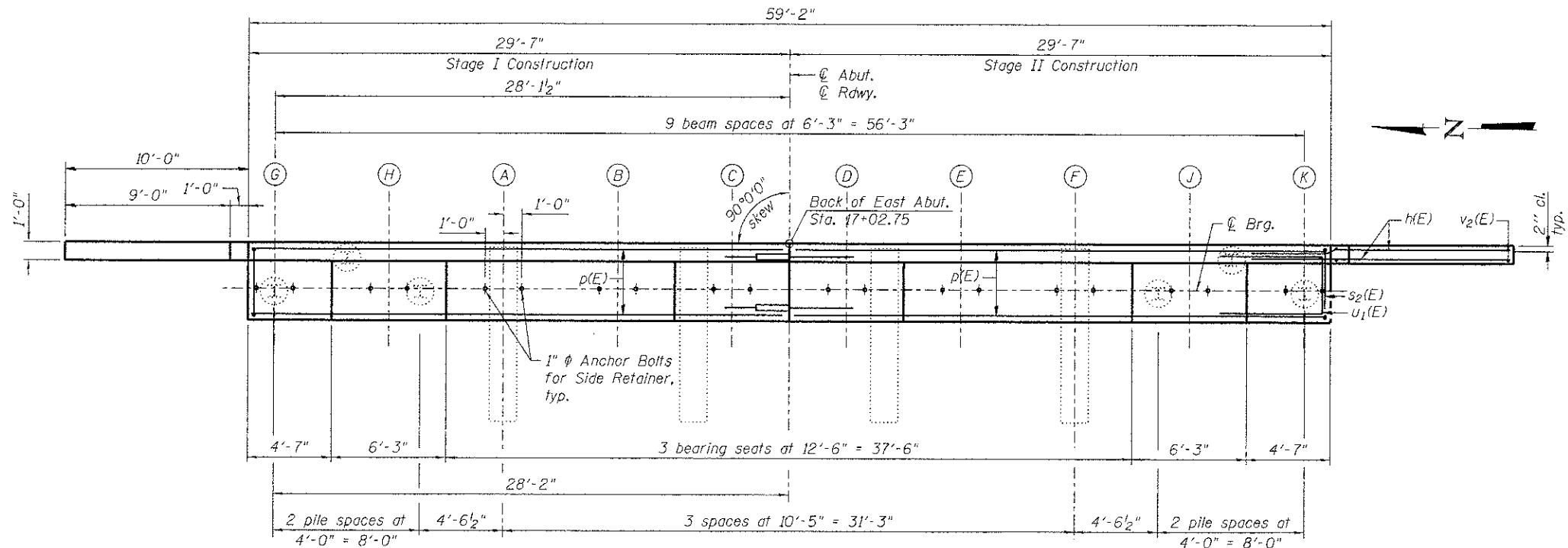
ELEVATION
(Looking East)



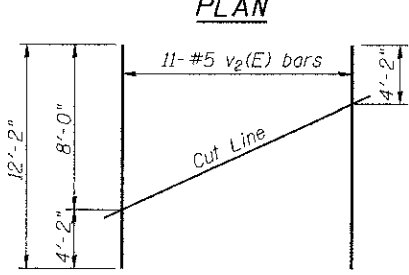
SEC. THRU ABUT. AT COLUMNS



SEC. THRU ABUT. AT PILES

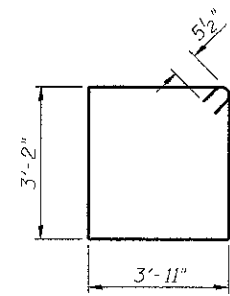


PLAN

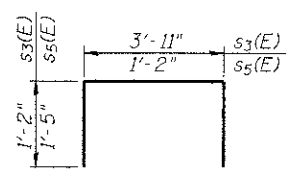


FIELD CUTTING DIAGRAM

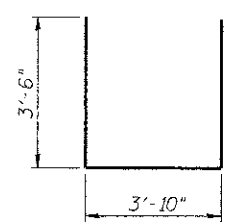
Order v₂(E) full length. Cut as shown and use remainder of bars in opposite face.



BAR s₂(E)



BARS s₃(E) & s₅(E)



BAR u₁(E)

BILL OF MATERIAL

Bar	No.	Size	Length	Shape
h(E)	16	# 6	13'-4"	—
h ₁ (E)	24	# 4	9'-8"	—
p(E)	24	# 8	29'-3"	—
p ₂ (E)	10	# 4	12'-2"	—
p ₃ (E)	4	# 4	10'-6"	—
s ₂ (E)	60	# 5	15'-1"	□
s ₃ (E)	38	# 4	6'-3"	□
s ₅ (E)	22	# 4	4'-0"	□
u ₁ (E)	8	# 6	10'-10"	□
v ₂ (E)	22	# 5	12'-2"	—
Structure Excavation		Cu. Yd.	84	
Concrete Structures		Cu. Yd.	42.3	
Reinforcement Bars, Epoxy Coated		Pound	4,030	
Geocomposite Wall Drain		Sq. Yd.	66	
Porous Granular Embankment, Special		Cu. Yd.	104	
Pipe Underdrain for Structures, 4"		Foot	90	

For details of Bar Splicers, see sheet S-24 of S-24. For limits of removal, see sheet S-5.

N:\PROJECTS\099-3031\099-3031-0003408-22 E Abutment Details.dgn



USER NAME = rdenley	DESIGNED - MHT	REVISED -
PLOT SCALE = 4.000000' / 1"	CHECKED - SMY	REVISED -
PLOT DATE = 1/28/2013	DRAWN - SRG	REVISED -
	CHECKED - BWS	REVISED -

STATE OF ILLINOIS
DEPARTMENT OF TRANSPORTATION

EAST ABUTMENT DETAILS
STRUCTURE NO. 099-3031

SHEET NO. S-22 OF S-24 SHEETS

F.A.U. RTE.	SECTION	COUNTY	TOTAL SHEETS	SHEET NO.
298	04-00069-18-BR	WILL	51	43
				CONTRACT NO. 63803
ILLINOIS FED. AID PROJECT				