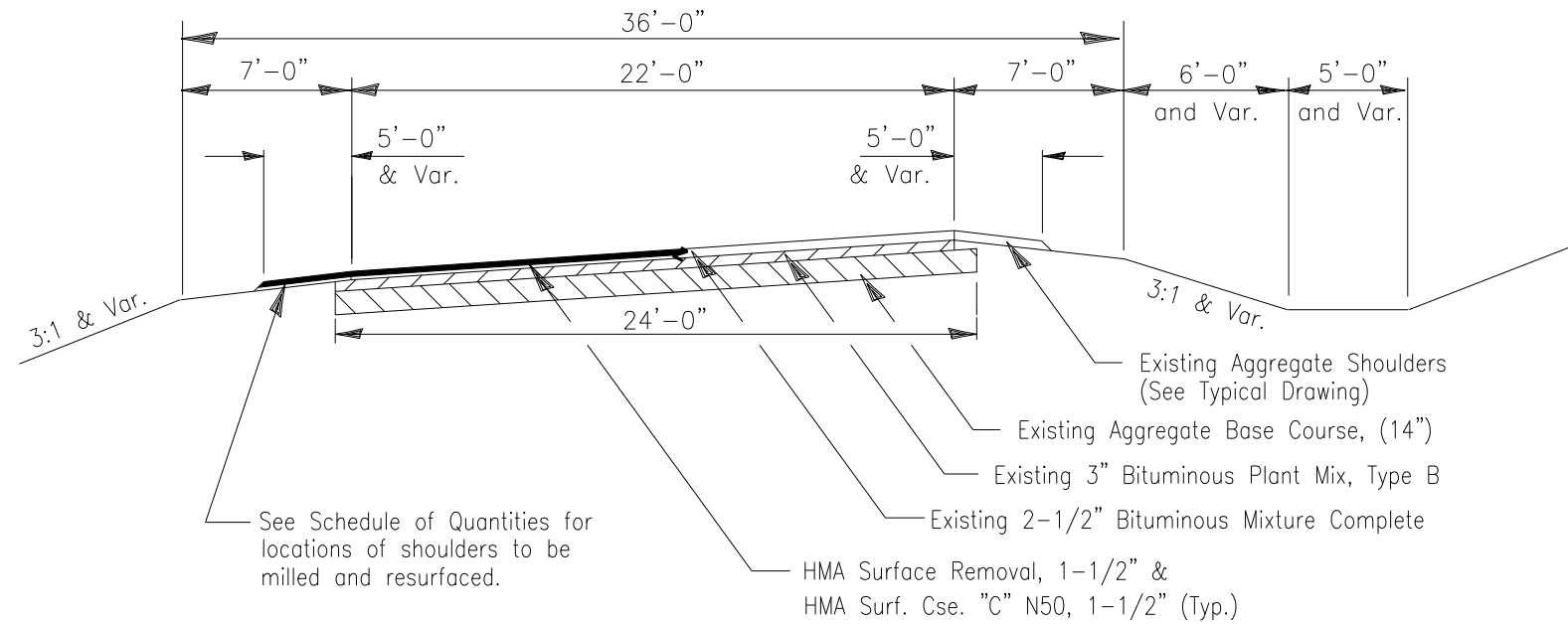
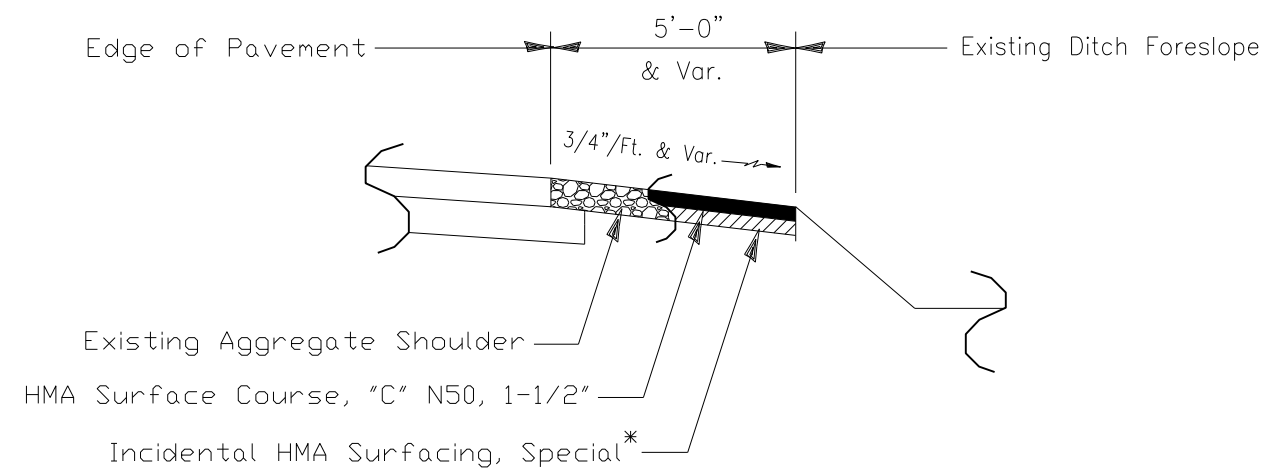


TYPICAL SECTIONS NIABI ZOO ROAD – RESURFACING

COUNTY HIGHWAY 77 (Z) STA. 31+00 – 38+00 (Super at rate of 0.075%)
 STA. 45+00 – 53+00 (Super at rate of 0.0275%)
 STA. 55+00 – 61+00 (Super at rate of 0.065%)



EXISTING AGGREGATE SHOULDERS



Note: Match Existing Slope

Originally constructed as Section 77-00211-00-FP,
 Resurfaced as Section 88-00211-00-RS.

*Pay item to include core out of existing Aggregate Shoulder to a depth of 3" and placement of 1-1/2" HMA Surface Course. Work to be completed prior to placement of HMA Surface Course, "C" N50, 1-1/2".

FILE NAME =	USER NAME = renkesw	DESIGNED -	REVISED -	STATE OF ILLINOIS DEPARTMENT OF TRANSPORTATION	TYPICAL SECTIONS NIABI ZOO RD				F.A.U. RTE.	SECTION	COUNTY	TOTAL SHEETS	SHEET NO.			
ct:\pw\work\p\dot\renkesw\dms36691\d201584-sht-tp.dgn		DRAWN -	REVISED -		SCALE:	SHEET	OF	SHEETS	STA.	TO	STA.	5789	40BR	ROCK ISLAND	225	19c
Default		PLOT SCALE = 100.0000' / in.	CHECKED -		REVISED -					CONTRACT NO. 64341						
		PLOT DATE = Mon Feb 04 07:31:32 2013	DATE -		REVISED -					ILLINOIS FED. AID PROJECT						