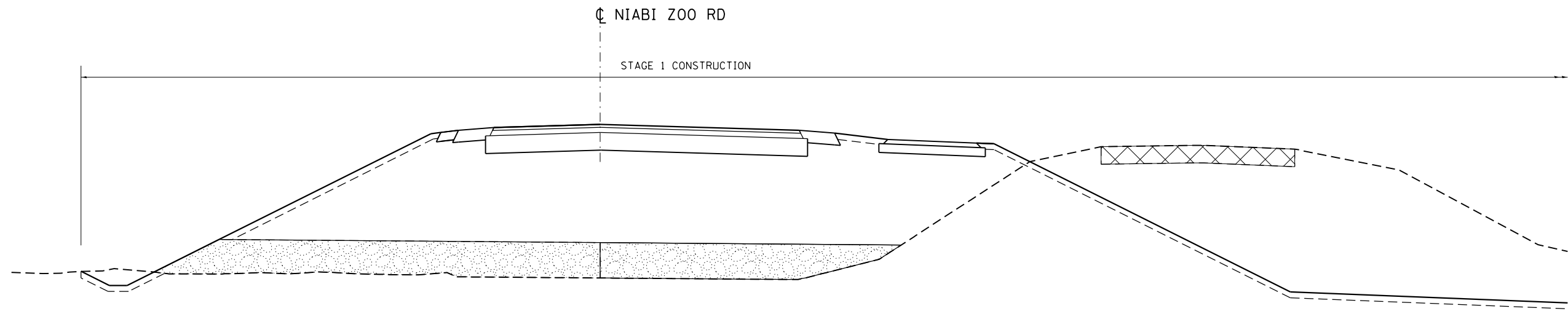
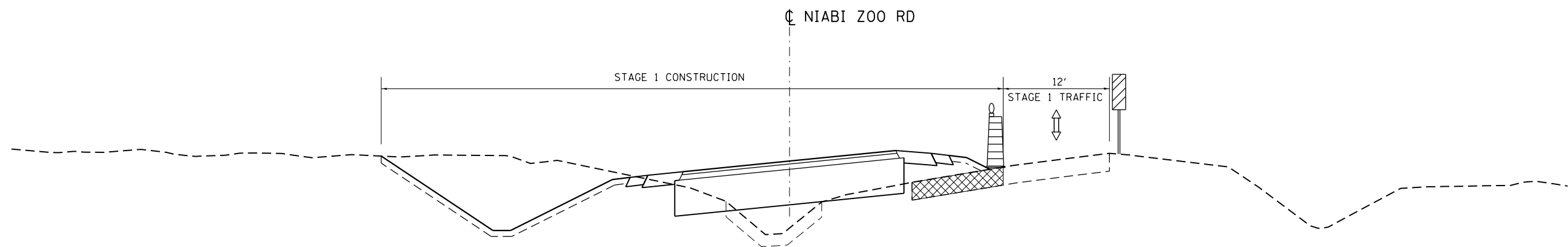


STAGE 1 – TYPICAL SECTIONS

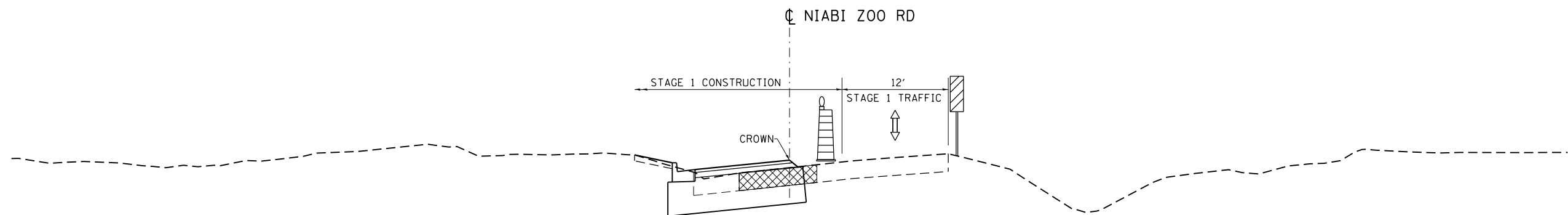
STA 10+00 - STA 15+40.20



STA 15+40.20 - STA 18+00.00



STA 18+00.00 - STA 19+80.08



 = PAVEMENT REMOVAL

FILE NAME =	USER NAME = renkesw	DESIGNED -	REVISED -
c:\pwork\pwork\renkesw\dms36691\d201584-sht-tp.dgn		DRAWN -	REVISED -
Default		CHECKED -	REVISED -
	PLOT DATE = Wed Dec 19 08:40:04 2012	DATE -	REVISED -

STATE OF ILLINOIS
DEPARTMENT OF TRANSPORTATION

NIABI ZOO RD
STAGE 1 TYPICAL SECTIONS

SCALE: SHEET OF SHEETS STA. TO STA.

F.A.U. RTE.	SECTION	COUNTY	TOTAL SHEETS	SHEET NO.
5789	40BR	ROCK ISLAND	225	24
CONTRACT NO. 64341			ILLINOIS FED. AID PROJECT	