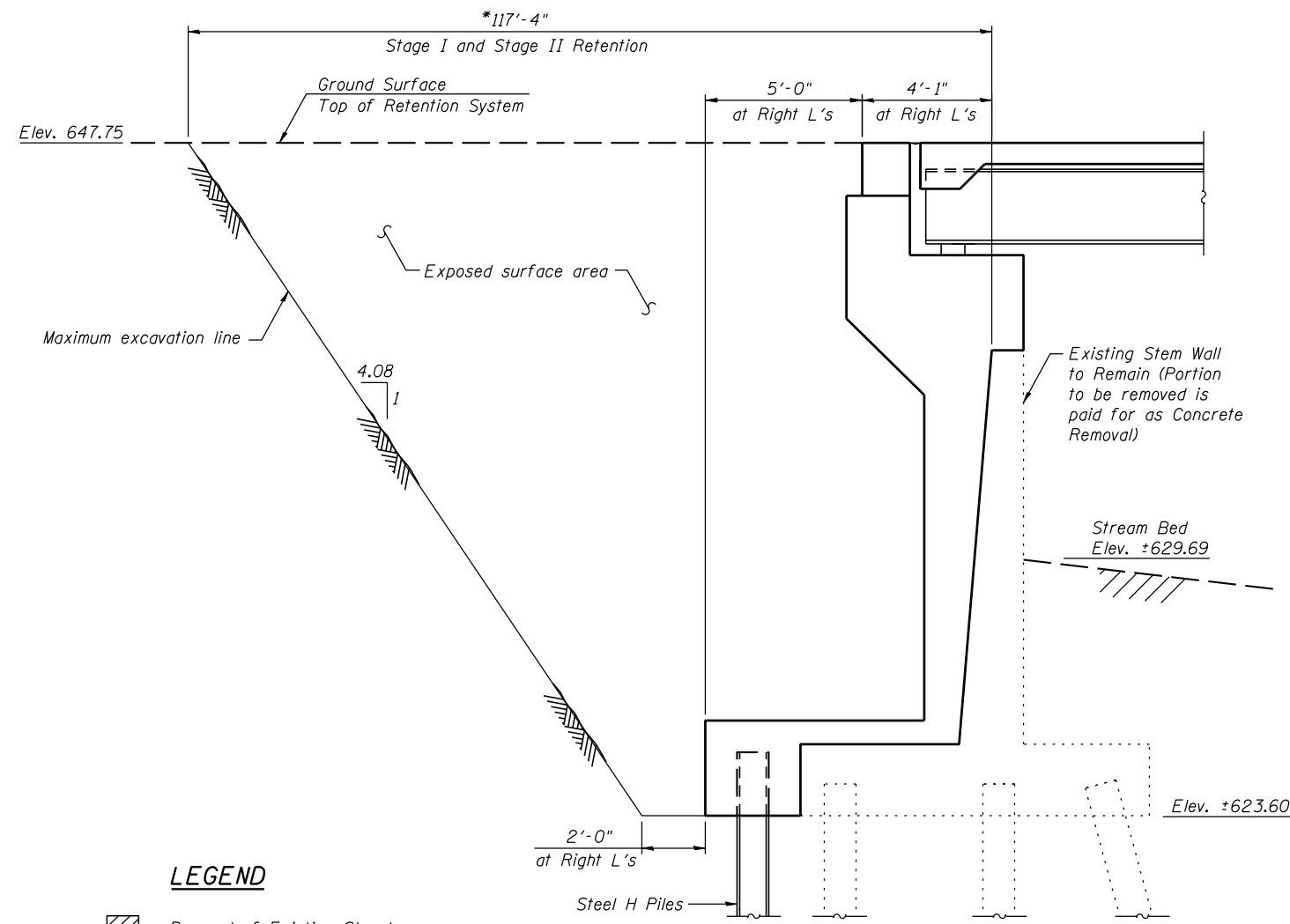
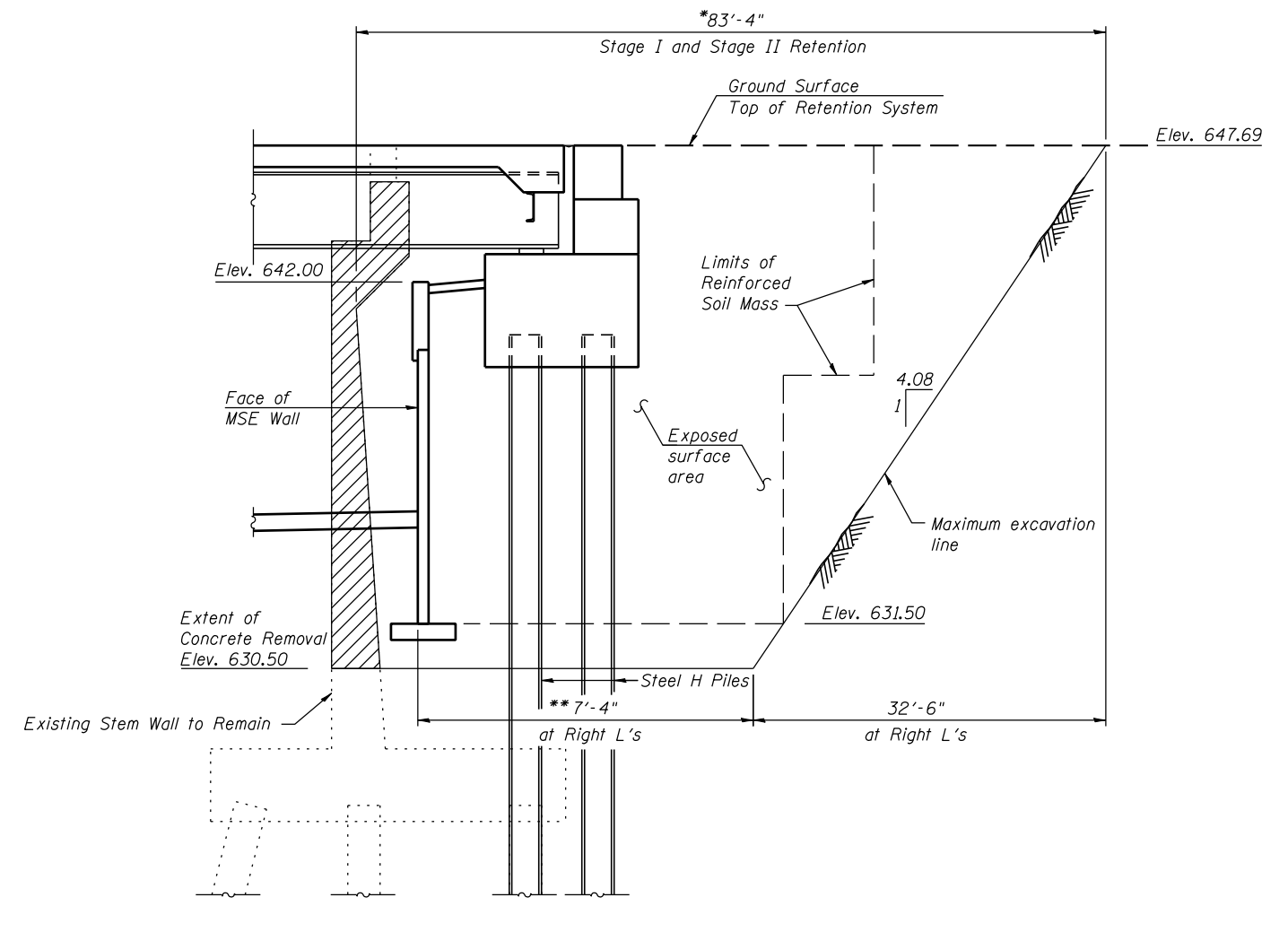


FILE NAME = s:\p1\6380--6395\6346\025\micro\st\structural\plans\0980015-64C17-002-00.dgn



**SOUTH ABUTMENT
TEMPORARY SOIL RETENTION SYSTEM**
(Looking West)
(Horizontal Dimensions at Right L's)



**NORTH ABUTMENT
TEMPORARY SOIL RETENTION SYSTEM**
(Looking West)
(Horizontal Dimensions @ Rt. L's)

* Horizontal dimensions along \hat{C} Roadway
** Verify Length with MSE Wall Manufacturer

Note:
A cantilevered sheet piling design does not appear feasible and additional members or other retention systems may be necessary. The Contractor shall submit a temporary soil retention system design including plan details and calculations for review and acceptance by the Engineer.