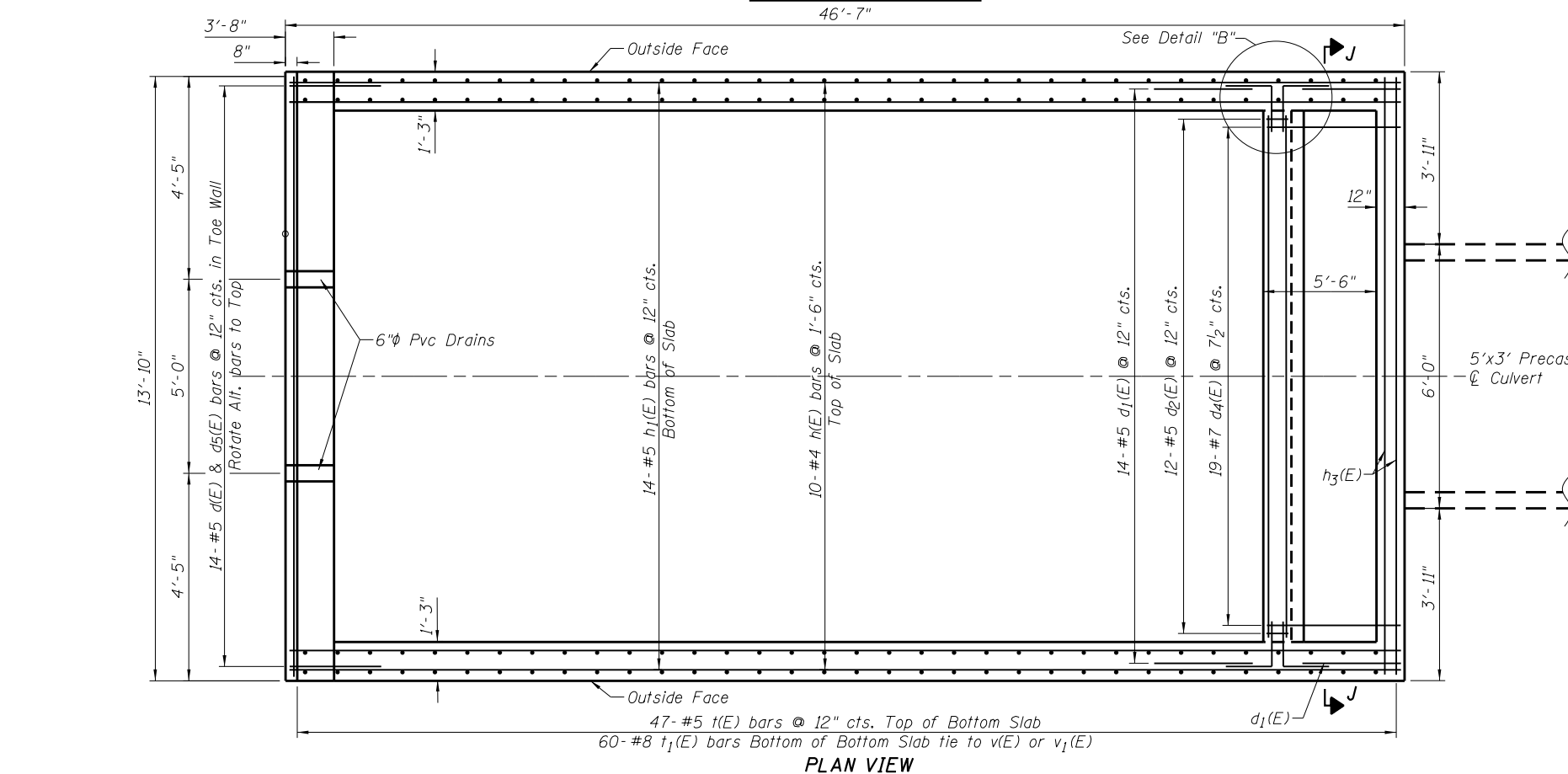
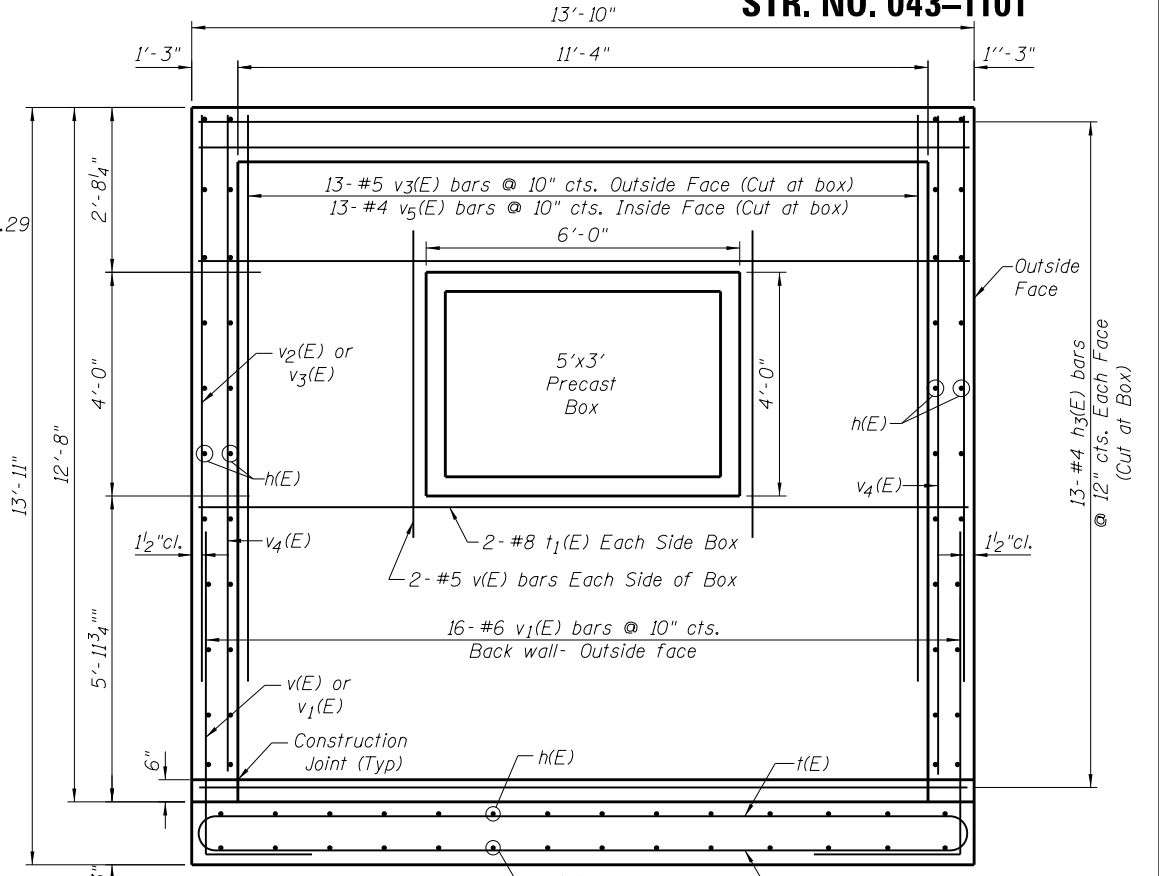
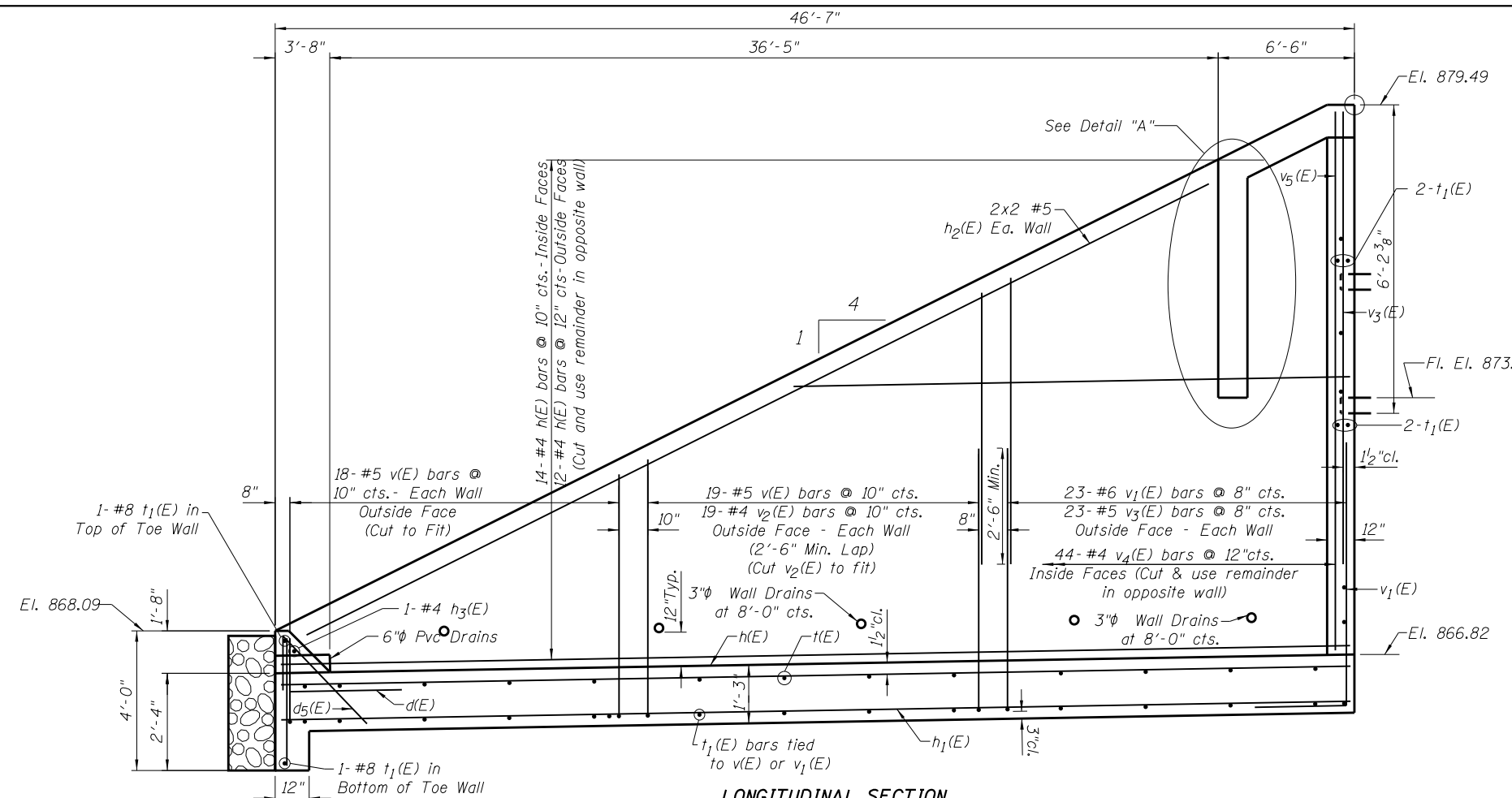


END SECTION DETAILS
IL RTE 84
F.A.P. RTE 570 SECTION 101T
JO DAVIESS COUNTY
STA. 1484 + 99
STR. NO. 043-1101



- MIN LAP**
- #4 2'-0"
 - #5 2'-6"
 - #6 3'-0"
 - #8 5'-2"

SECTION J-J
BILL OF MATERIAL

(For Reference Only
 Costs Included in Box Culvert
 End Section, Culvert No. 1)

Bar	No.	Size	Length	Shape
d(E)	14	#5	4'-6"	L
d1(E)	14	#5	7'-0"	L
d2(E)	12	#5	6'-7"	L
d3(E)	36	#5	6'-0"	L
d4(E)	19	#7	7'-11"	L
d5(E)	14	#5	5'-0"	L
h(E)	36	#4	46'-4"	—
h1(E)	14	#5	45'-10"	—
h2(E)	8	#5	25'-0"	—
h3(E)	27	#4	13'-7"	—
h4(E)	16	#5	11'-1"	—
h5(E)	4	#6	7'-6"	—
t(E)	47	#5	13'-7"	—
t1(E)	66	#8	15'-4"	U
v(E)	78	#5	8'-10"	L
v1(E)	62	#6	10'-10"	L
v2(E)	38	#4	6'-6"	—
v3(E)	59	#5	8'-3"	—
v4(E)	44	#4	12'-0"	—
v5(E)	13	#4	12'-0"	—
Concrete Structures		Cu. Yd.	71.5	
Reinforcement Bars		Pound	9,550	
Epoxy Coated				



USER NAME = dossdd
 WES JOB # = 2120015
 PLOT SCALE = 10.0000 / in.
 PLOT DATE = Tue Jan 22 11:01:38 2013

DESIGNED - SB
 DRAWN - BEH
 CHECKED - DB
 DATE - 1/08/2013

REVISED - -
 REVISED - -
 REVISED - -
 REVISED - -

STATE OF ILLINOIS
DEPARTMENT OF TRANSPORTATION

STA. 1484 + 99 LT. DOWNSTREAM END SECTION DETAILS
STRUCTURE NO. 043-1101

SHEET 3 OF 8 SHEETS STA. 1484+99

F.A.P. RTE.	SECTION	COUNTY	TOTAL SHEETS	SHEET NO.
570	101T	JO DAVIESS	64	32
CONTRACT NO. 64F75				
ILLINOIS FED. AID PROJECT				