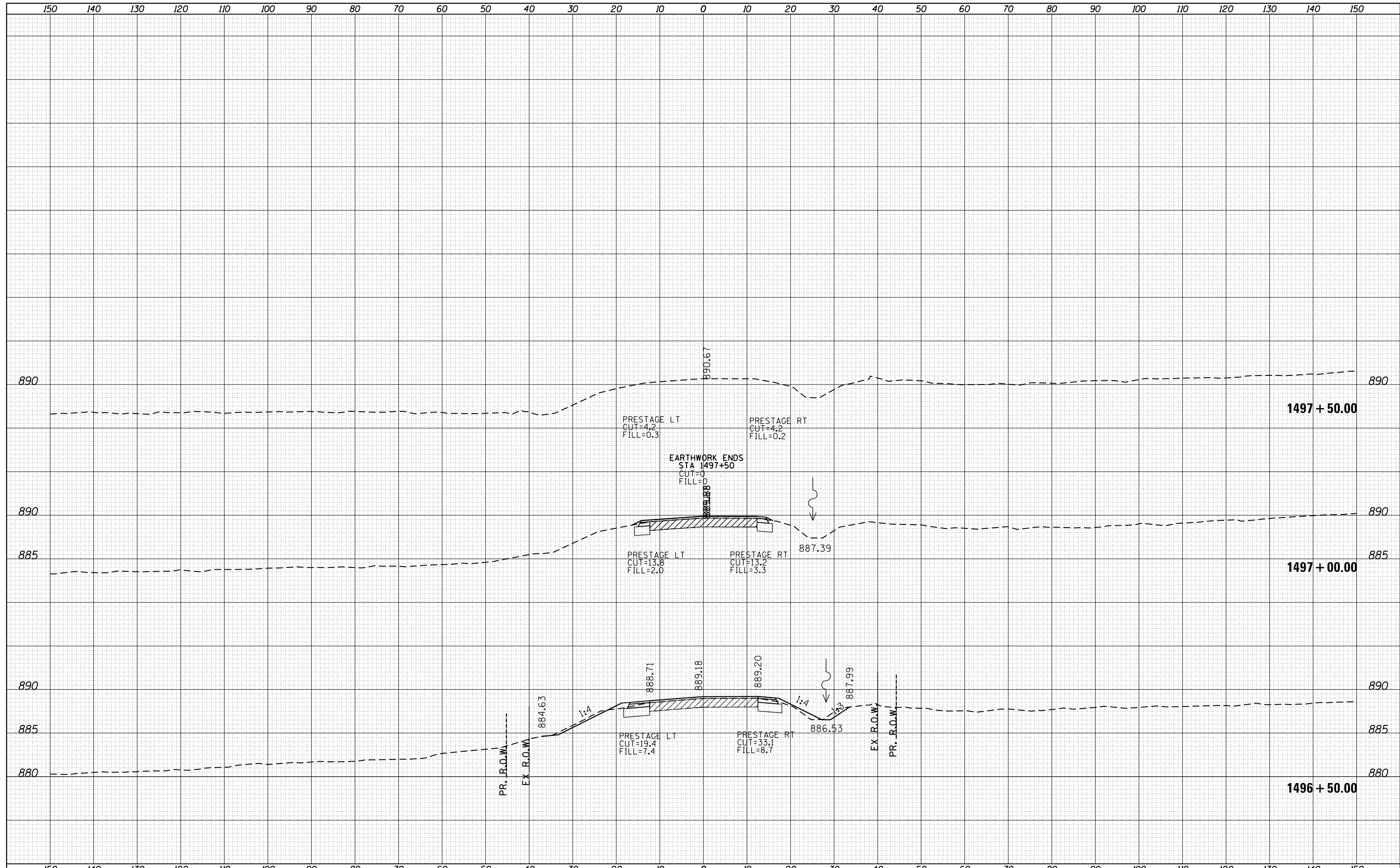


DATE	
BY	
SURVEYED	
PLOTTED	
TEMPLATE	
NOTE BOOK	
AREAS	
CHECKED	

DATE	
BY	
SURVEYED	
PLOTTED	
TEMPLATE	
NOTE BOOK	
AREAS	
CHECKED	



FILE NAME =
 c:\pw_work\p\dot\dosdd\d0233002\0201410-xsc.dgn
 Default

USER NAME = dosdd	DESIGNED - _____	REVISED - _____
	DRAWN - _____	REVISED - _____
PLOT SCALE = 20.0000' / in.	CHECKED - _____	REVISED - _____
PLOT DATE = Tue Jan 22 11:18:40 2013	DATE - _____	REVISED - _____

**STATE OF ILLINOIS
 DEPARTMENT OF TRANSPORTATION**

CROSS SECTION

SCALE: _____ SHEET _____ OF _____ SHEETS STA. 1496+50.00 TO STA. 1497+50.00

F.A.P. RTE.	SECTION	COUNTY	TOTAL SHEETS	SHEET NO.
570	101T	JO DAVIESS	64	64
CONTRACT NO. 64F75			ILLINOIS FED. AID PROJECT	