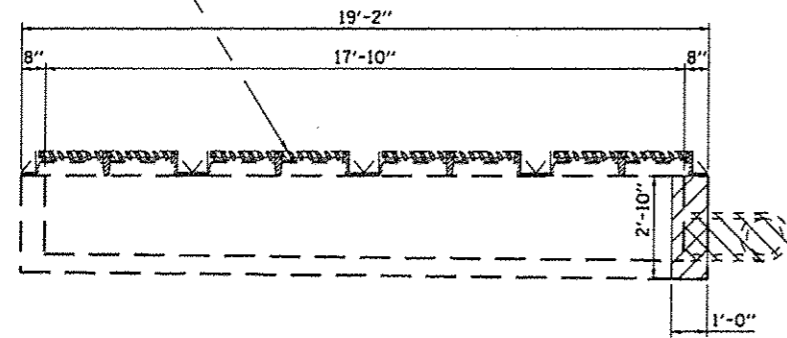
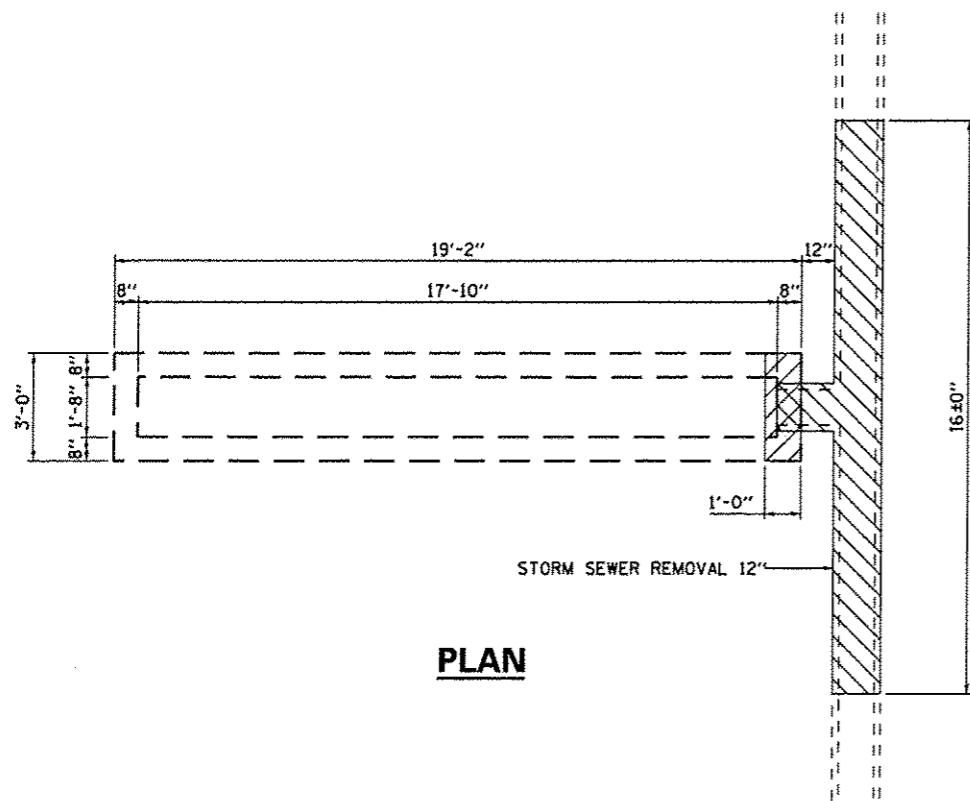
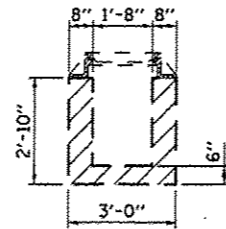


EXISTING FRAME AND GRATES SHALL BE REMOVED, CLEANED AND INCORPORATED INTO THE NEW CONSTRUCTION



**ELEVATION**



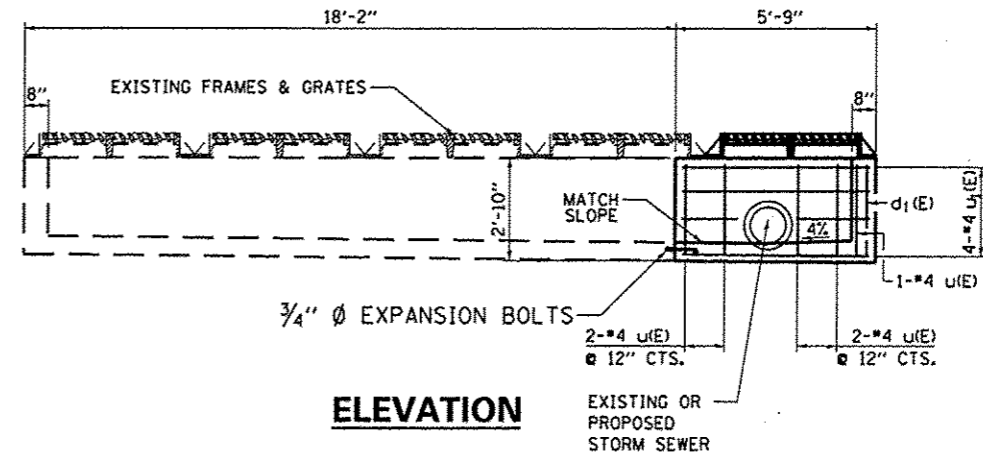
**PLAN**

STORM SEWER REMOVAL 12"

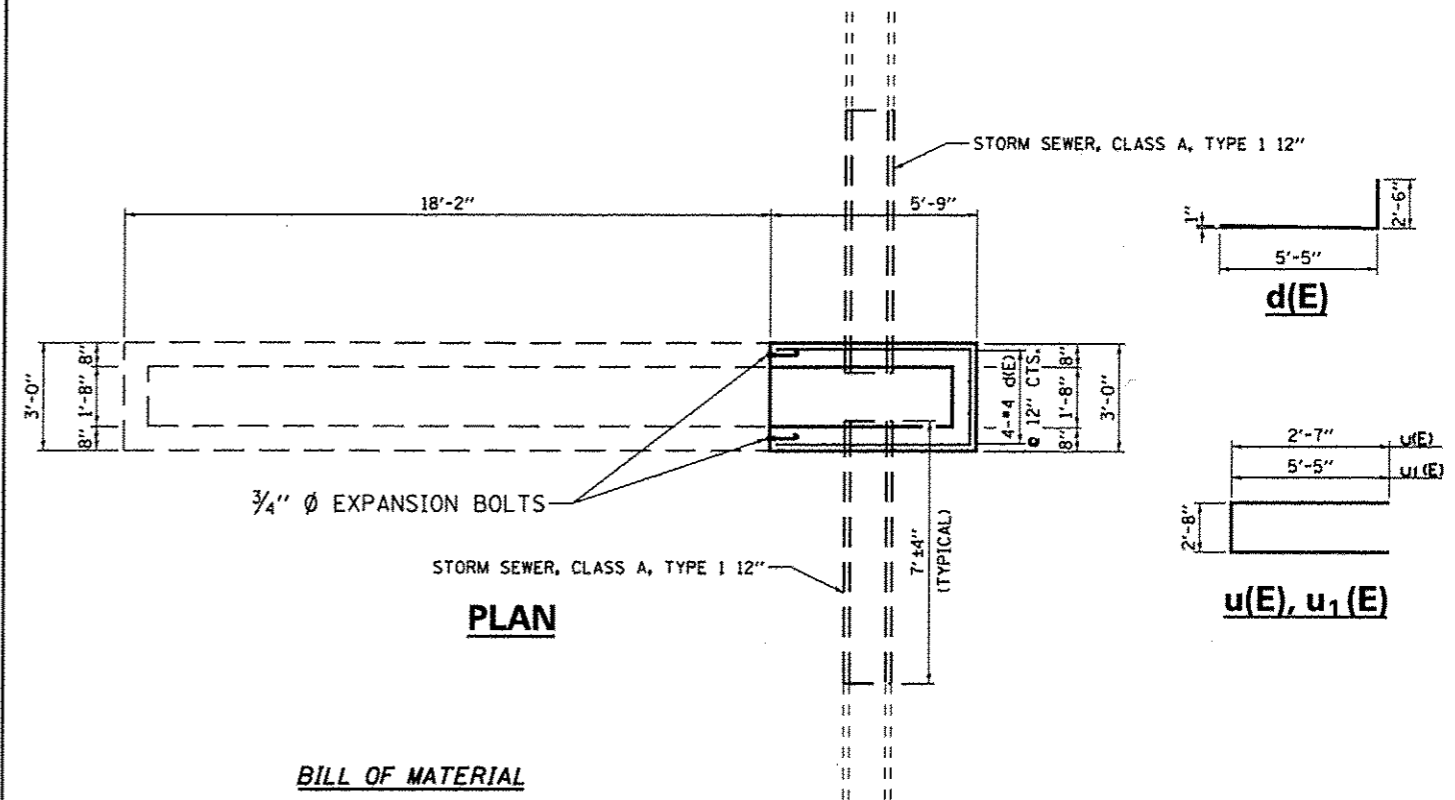
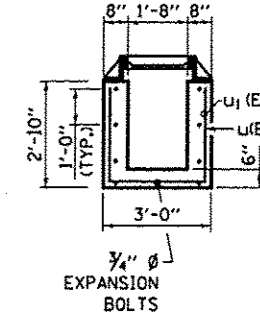
CONCRETE REMOVAL

**EXISTING**

NOTE: CUT  $u_1(E)$  BARS TO MISS STORM SEWER



**ELEVATION**



**PLAN**

$d_1(E)$

$u(E)$

$u_1(E)$

**BILL OF MATERIAL**

BAR	NO.	SIZE	LENGTH	SHAPE
$d_1(E)$	4	#4	7'-11"	
$u_1(E)$	10	#4	7'-10"	
$u_1(E)$	4	#4	13'-6"	
CONCRETE REMOVAL			CU YD	0.2
CLASS SI CONCRETE			CU YD	1.2
REINFORCEMENT BARS EPOXY COATED			POUND	120
$\frac{3}{4}$ " $\phi$ EXPANSION BOLTS			EACH	9

QUANTITIES SHOWN ARE FOR INFORMATION ONLY. QUANTITIES SHALL NOT BE PAID FOR SEPARATELY BUT SHALL BE INCLUDED IN THE "DRAINAGE STRUCTURE RECONSTRUCTION" ITEM.

**PROPOSED**