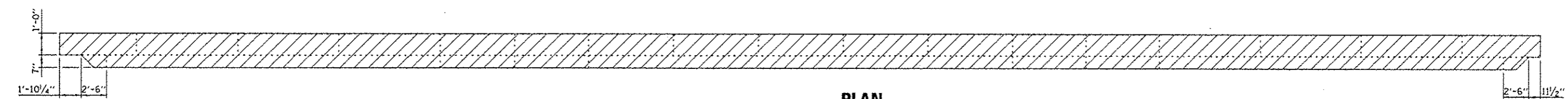
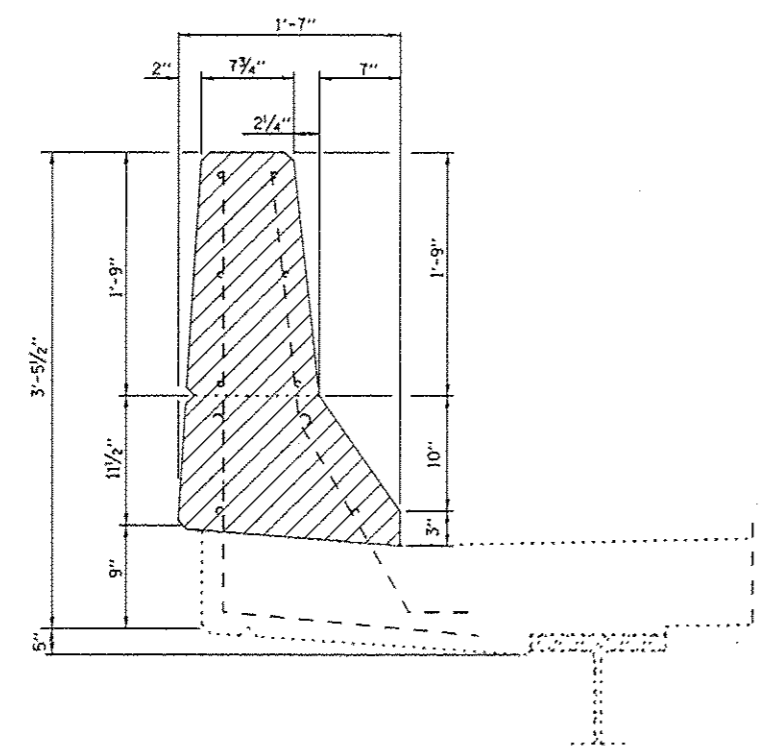


ELEVATION
 NORTH PARAPET SHOWN, SOUTH PARAPET SIMILAR
 THRU 180° ROTATION ABOUT ϕ ROADWAY



PLAN
 NORTH PARAPET SHOWN, SOUTH PARAPET SIMILAR
 THRU 180° ROTATION ABOUT ϕ ROADWAY

 **CONCRETE REMOVAL**



SECTION THRU PARAPET
 EXISTING (TYP.)

FILE NAME *	USER NAME * woodshankr1	DESIGNED - RW	REVISED -
c:\pwwork\pvidot\woodshankr1\03282921	66C65-ent-details.dgn	DRAWN - RW	REVISED -
	PLOT SCALE * 100.0000 1/10	CHECKED -	REVISED -
	PLOT DATE * 4/6/2013	DATE -	REVISED -

STATE OF ILLINOIS
DEPARTMENT OF TRANSPORTATION

EXISTING PARAPET DETAILS
FOR STRUCTURE NO. 019-0032

SCALE: SHEET NO. 4 OF 15 SHEETS STA. 356+13.85 TO STA. 359+13.60

F.A.P. RTE.	SECTION	COUNTY	TOTAL SHEETS	SHEET NO.
573	(116VB-1-1BR)I	LIVINGSTON	21	10
			CONTRACT NO. 66C65	
ILLINOIS FED. AID PROJECT				

Rev. Sheet 4-10-13