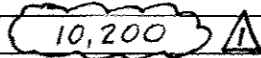

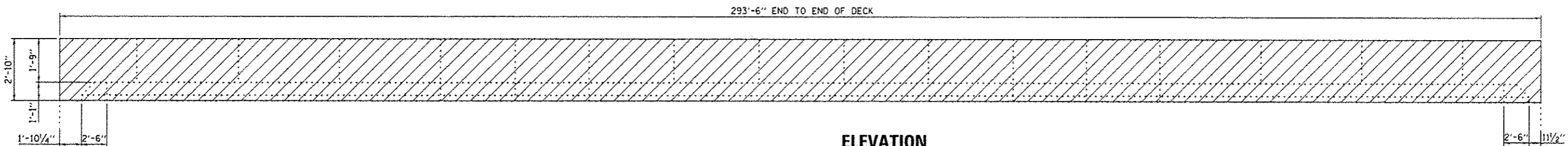


CODE NO.	ITEM	UNIT	CONSTR. CODE
			STATE FUNDS
			100% STATE
			ROADWAY
			0014
			RURAL
20200500	EARTH EXCAVATION (WIDENING)	CU YD	29
42001500	P.C. CONCRETE BRIDGE APPROACH SHOULDER PAVEMENT	SQ YD	45
48203029	HOT-MIX ASPHALT SHOULDERS, 8"	SQ YD	128
50102400	CONCRETE REMOVAL	CU YD	75.4
50300255	CONCRETE SUPERSTRUCTURE	CU YD	81
50500405	FURNISHING AND ERECTING STRUCTURAL STEEL	POUND	1382
50800205	REINFORCEMENT BARS, EPOXY COATED	POUND	10,200 
50800515	BAR SPLICERS	EACH	36
52000110	PREFORMED JOINT STRIP SEAL	FOOT	128
52100010	ELASTOMERIC BEARING ASSEMBLY, TYPE I	EACH	5
52100020	ELASTOMERIC BEARING ASSEMBLY, TYPE II	EACH	5
52100520	ANCHOR BOLTS, 1"	EACH	20
59000200	EPOXY CRACK INJECTION	FOOT	290
63300575	REMOVE AND REERECT RAIL ELEMENT OF EXISTING GUARDRAIL	FOOT	100
67000400	ENGINEER'S FIELD OFFICE, TYPE A	CAL MO	4
67100100	MOBILIZATION	L SUM	1
70100405	TRAFFIC CONTROL AND PROTECTION, STANDARD 701321	EACH	1
70100450	TRAFFIC CONTROL AND PROTECTION, STANDARD 701201	L SUM	1

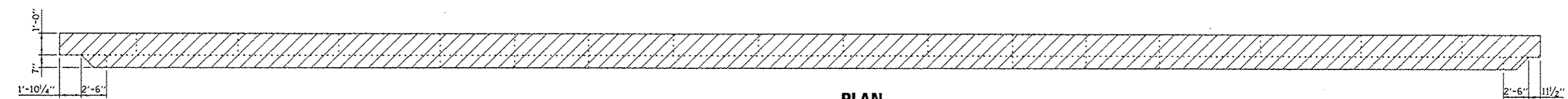
 Rev. 4-10-13

Rev.

FILE NAME =	USER NAME = woodshenkr1	DESIGNED - RW	REVISED -	<b>STATE OF ILLINOIS DEPARTMENT OF TRANSPORTATION</b>	<b>SUMMARY OF QUANTITIES</b>	F.A.P. RTE.	SECTION	COUNTY	TOTAL SHEETS	SHEET NO.	
c:\pr_work\p1dot\woodshenkr1\49328252\	366C65-shc-details.dgn	DRAWN - RW	REVISED -			573	(16VB-1-1BR)	DEKALB	21	3	
PLOT SCALE = 1/8" = 100.0000' / 1"		CHECKED -	REVISED -			CONTRACT NO. 66C65		ILLINOIS FED. AID PROJECT			
PLOT DATE = 2/14/2013		DATE -	REVISED -			SCALE:	SHEET NO. 1 OF 2 SHEETS	STA.	TO STA.		

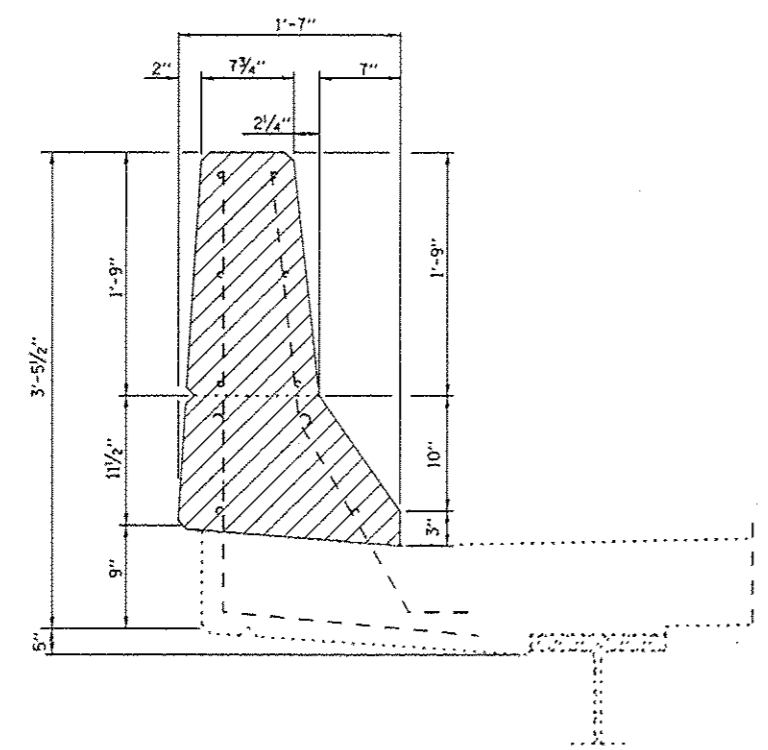


**ELEVATION**  
 NORTH PARAPET SHOWN, SOUTH PARAPET SIMILAR  
 THRU 180° ROTATION ABOUT  $\phi$  ROADWAY



**PLAN**  
 NORTH PARAPET SHOWN, SOUTH PARAPET SIMILAR  
 THRU 180° ROTATION ABOUT  $\phi$  ROADWAY

 **CONCRETE REMOVAL**



**SECTION THRU PARAPET**  
 EXISTING (TYP.)

FILE NAME *	USER NAME * woodshankr1	DESIGNED - RW	REVISED -
c:\pwwork\pvidot\woodshankr1\03282921	66C65-ent-details.dgn	DRAWN - RW	REVISED -
	PLOT SCALE * 100.0000 1/16"	CHECKED -	REVISED -
	PLOT DATE * 4/6/2013	DATE -	REVISED -

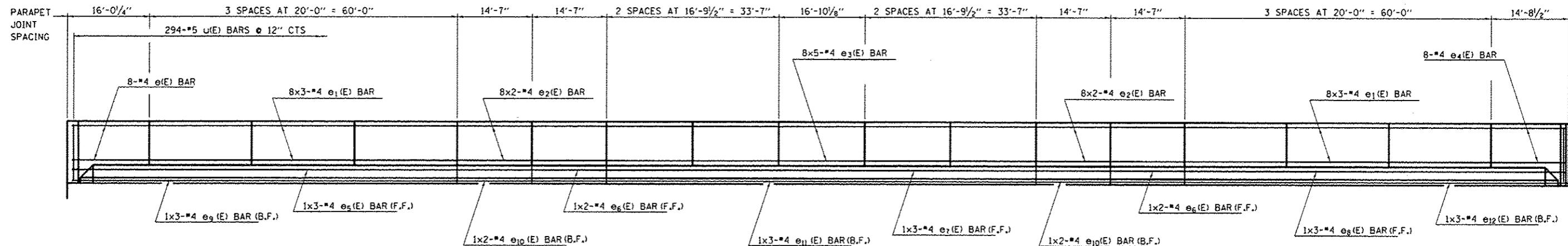
**STATE OF ILLINOIS**  
**DEPARTMENT OF TRANSPORTATION**

**EXISTING PARAPET DETAILS**  
**FOR STRUCTURE NO. 019-0032**

SCALE: SHEET NO. 4 OF 15 SHEETS STA. 356+13.85 TO STA. 359+13.60

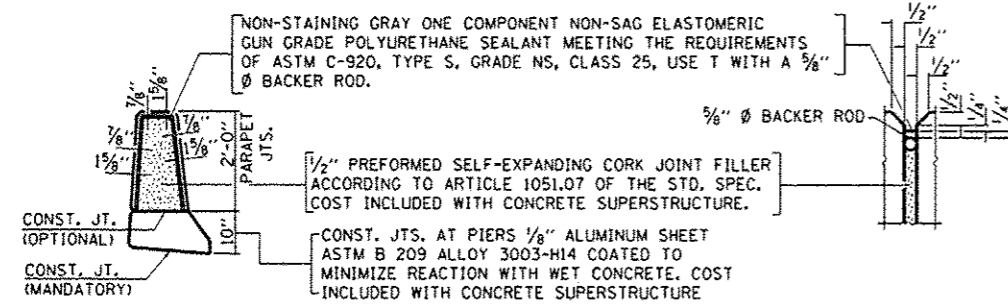
F.A.P. RTE.	SECTION	COUNTY	TOTAL SHEETS	SHEET NO.
573	(116VB-1-1BR)I	LIVINGSTON	21	10
			CONTRACT NO. 66C65	
ILLINOIS FED. AID PROJECT				

*Rev. Sheet 4-10-13*

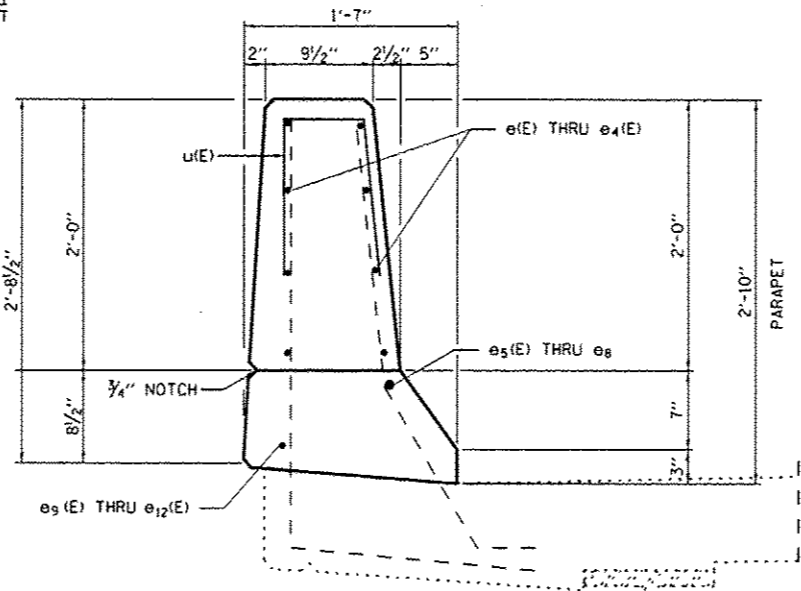


**ELEVATION**

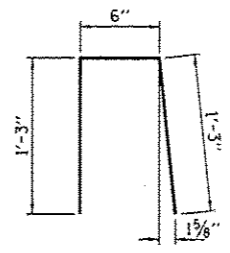
NORTH PARAPET SHOWN, SOUTH PARAPET SIMILAR THRU 180° ROTATION ABOUT  $\phi$  ROADWAY



**PARAPET JOINT DETAILS**



**SECTION THRU PARAPET**



**BAR u(E)**

**BILL OF MATERIAL FOR TWO PARAPETS**

BAR	NO.	SIZE	LENGTH	SHAPE
e(E)	16	#4	15'-9"	=====
e1(E)	96	#4	19'-9"	=====
e2(E)	64	#4	14'-4"	=====
e3(E)	80	#4	16'-6"	=====
e4(E)	16	#4	14'-5"	=====
e5(E)	6	#8	28'-11"	=====
e6(E)	8	#8	14'-4"	=====
e7(E)	6	#8	25'-0"	=====
e8(E)	6	#8	28'-6"	=====
e9(E)	6	#4	26'-9"	=====
e10(E)	8	#4	14'-3"	=====
e11(E)	6	#4	22'-6"	=====
e12(E)	6	#4	26'-3"	=====
u(E)	588	#5	3'-0"	=====

CONCRETE REMOVAL	CU YD	59.4
CONCRETE SUPERSTRUCTURE	CU YD	64.4
REINFORCEMENT BARS EPOXY COATED	POUND	6920

Rev. Sheet 4-10-13