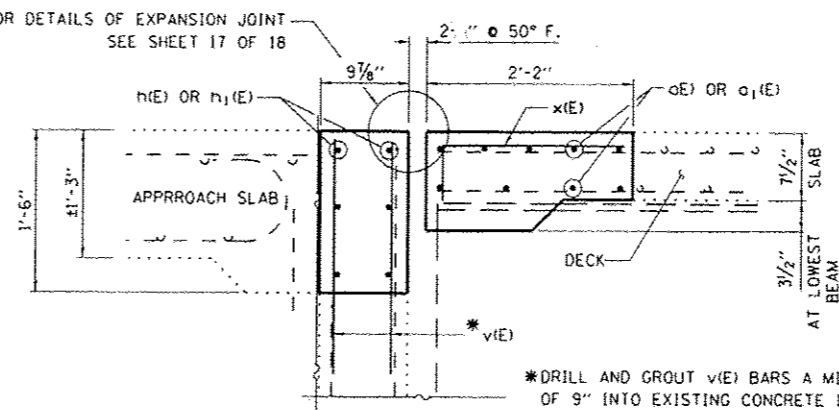


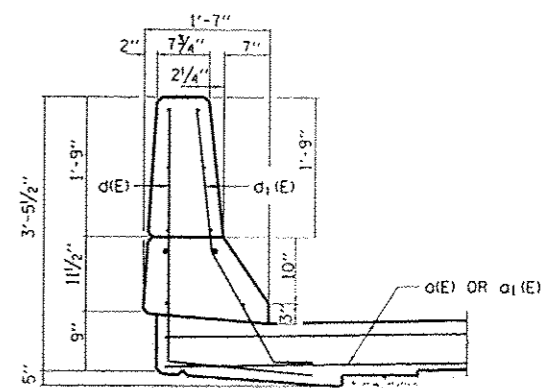
**DETAIL A**

4 - #4 d(E) BARS @ 12" CTS. (B.F.)  
 1 - #5 d<sub>1</sub>(E) BARS @ 11" CTS. (F.F.)  
 3 - #5 d<sub>2</sub>(E) BARS @ 11" CTS. (F.F.)

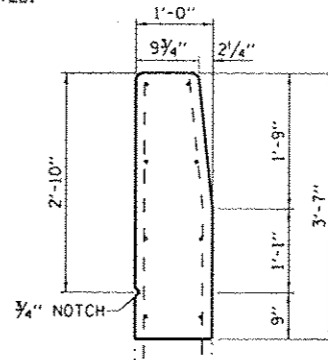
FOR DETAILS OF EXPANSION JOINT  
 SEE SHEET 17 OF 18



**SECTION B-B**  
 DIMENSIONS AT RT. L'S



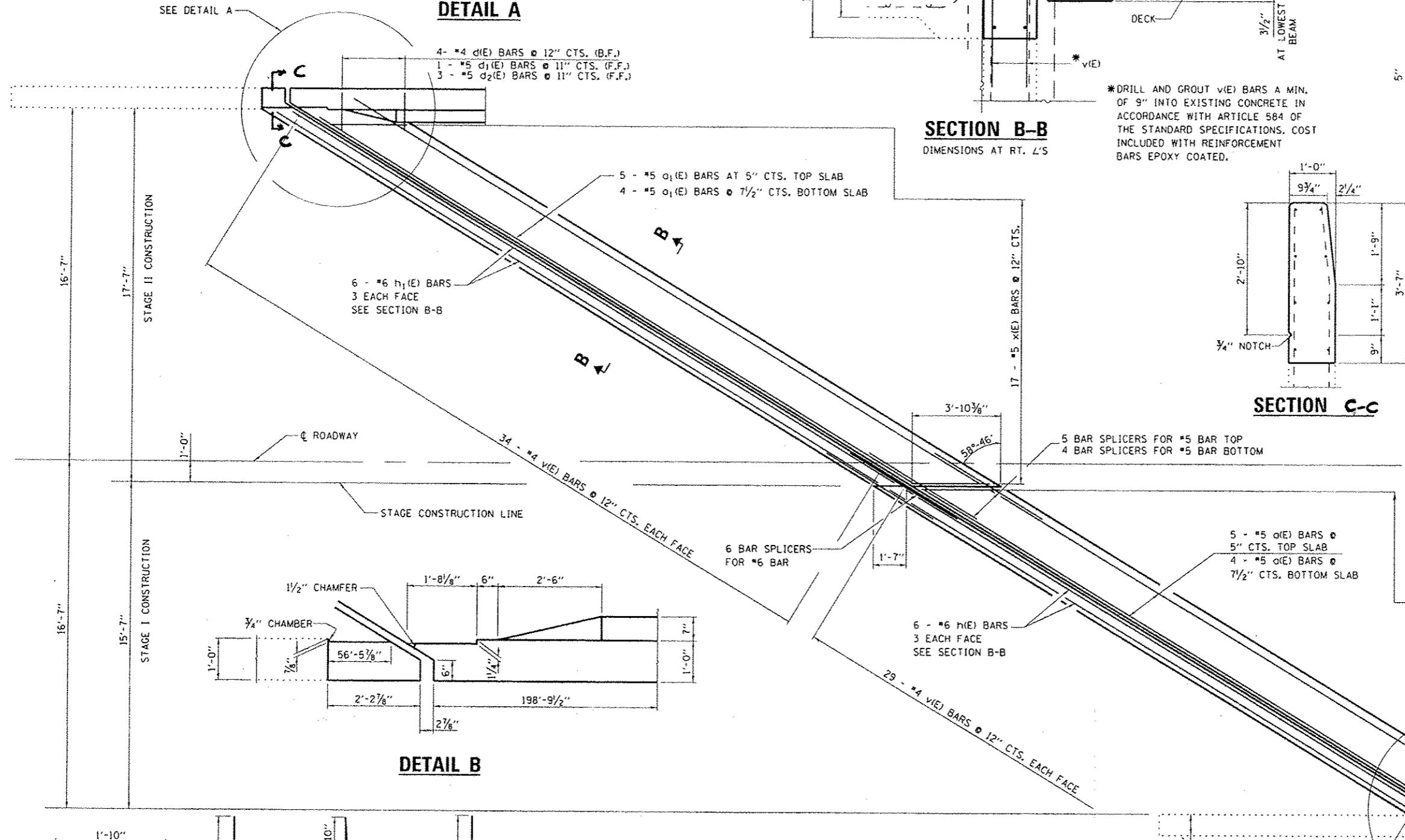
**SECTION C-C**



**SECTION C-C**

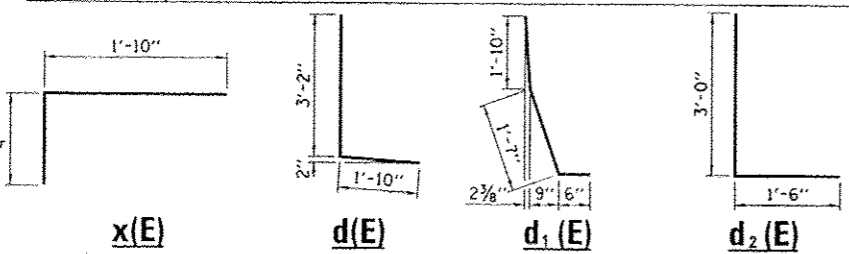
**BILL OF MATERIAL  
 FOR TWO ABUTS.**

Bar	No.	Size	Length	Shape	
d(E)	18	#5	31'-1"	—	
d <sub>1</sub> (E)	18	#5	34'-3"	—	
d(E)	14	#4	5'-0"	—	
d <sub>1</sub> (E)	2	#5	3'-9"	—	
d <sub>2</sub> (E)	12	#5	4'-6"	—	
h(E)	12	#6	29'-10"	—	
h <sub>1</sub> (E)	12	#6	33'-1"	—	
v(E)	252	#4	2'-11"	—	
x(E)	64	#5	2'-2"	—	
CONCRETE REMOVAL				CU. YD.	16.0
CONCRETE SUPERSTRUCTURE				CU. YD.	16.6
REINFORCEMENT BARS EPOXY COATED				POUND	3100



**PLAN**

WEST ABUTMENT SHOWN, EAST ABUTMENT SIMILAR THRU 180° ROTATION ABOUT C ROADWAY



**DETAIL B**

3 - #4 d(E) BARS @ 12" CTS. (B.F.)  
 3 - #5 d<sub>2</sub>(E) BARS @ 11" CTS. (F.F.)

SEE DETAIL B

FILE NAME :	USER NAME : woodshankr1	DESIGNED : RW	REVISED :	STATE OF ILLINOIS DEPARTMENT OF TRANSPORTATION	EXPANSION JOINT REPLACEMENT DETAILS FOR STRUCTURE NO. 019-0032	F.A.P. RTE.	SECTION	COUNTY	TOTAL SHEETS	SHEET NO.	
ct:\p\work\p\rdot\woodshankr1\08328292\	J06C65-shc-detailed.dgn	DRAWN : RW	REVISED :			573	(116VB-1-1BR)	DEKALB	21	13	
	PLOT SCALE = 100,000 / in.	CHECKED : ARS	REVISED :			CONTRACT NO. 66C65					
	PLOT DATE = 3/22/2013	DATE	REVISED :			SCALE:	SHEET NO. 7 OF 15 SHEETS	STA. 356+13.85 TO STA. 359+13.60	ILLINOIS FED. AID PROJECT		