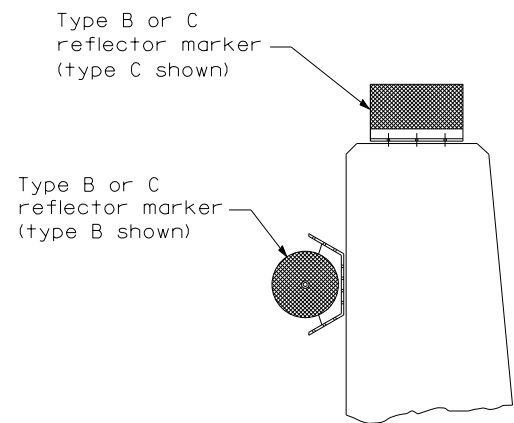
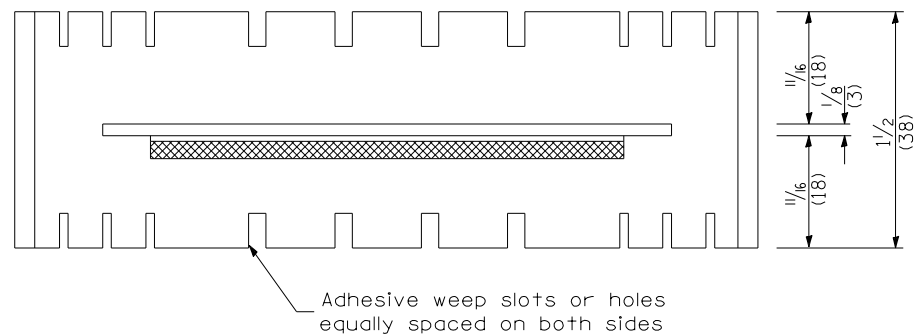


TYPICAL MOUNTING DETAIL FOR BRIDGE RAIL REFLECTOR

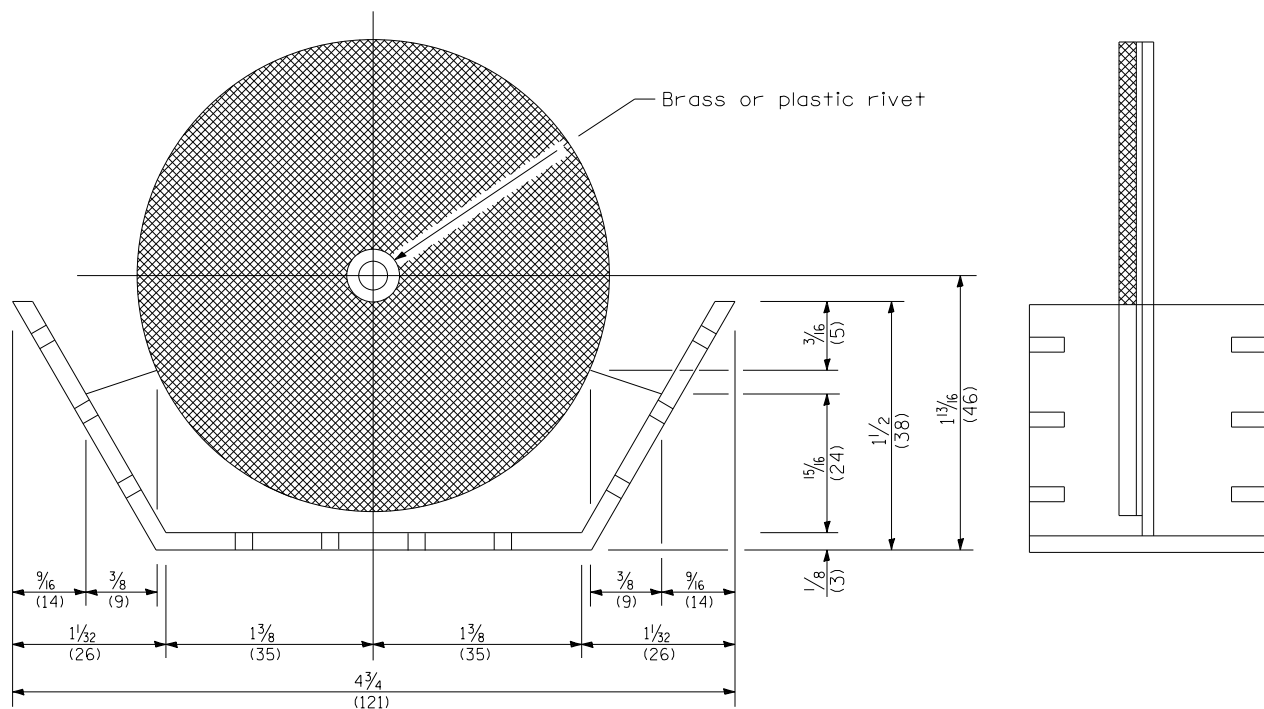


TYPICAL MOUNTING DETAIL FOR BARRIER WALL REFLECTOR

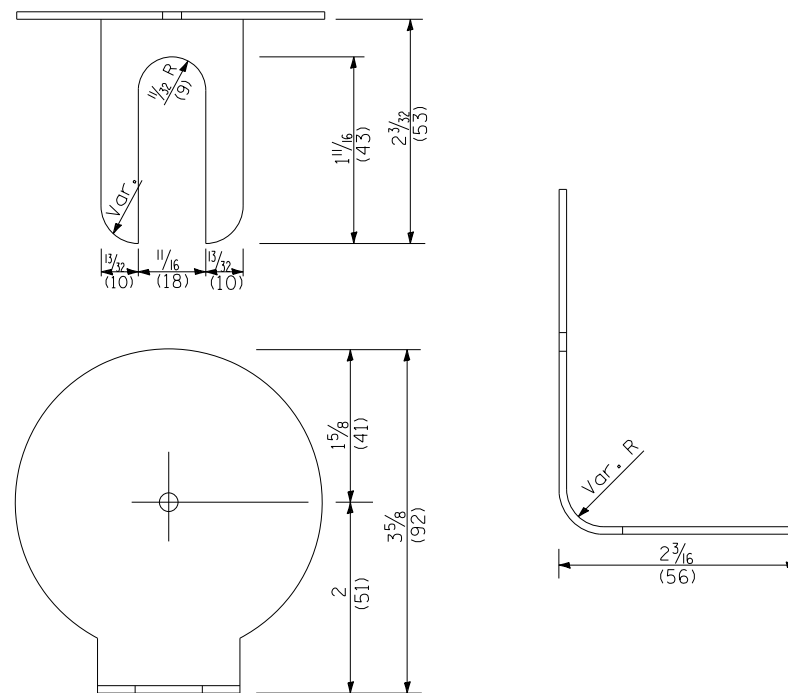
REFLECTOR MOUNTING



Adhesive weep slots or holes equally spaced on both sides

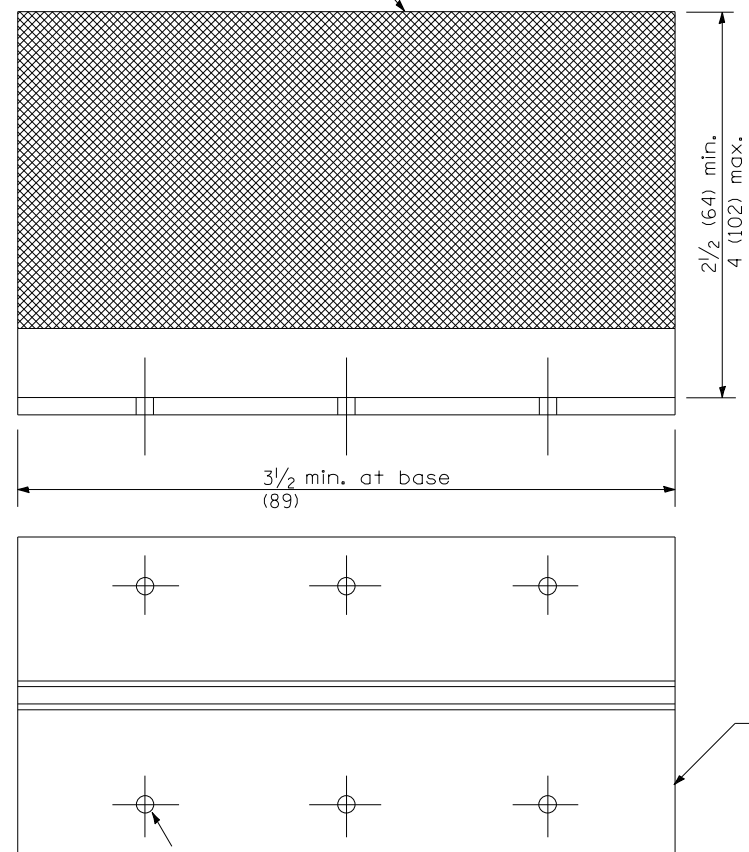


REFLECTOR MARKER TYPE B



REFLECTOR MARKER TYPE A

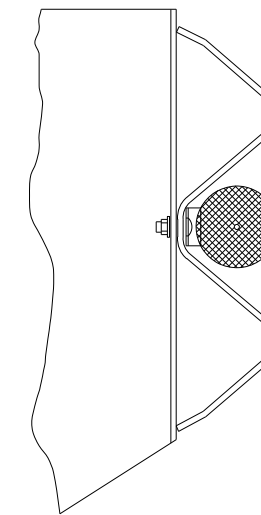
Min. reflective area 6 1/2 sq. in. (4,194 mm²) each side. May be rectangular or slight trapezoid.



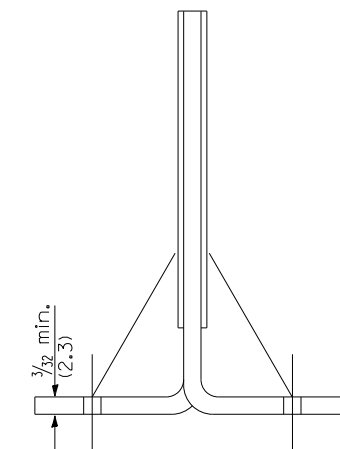
REFLECTOR MARKER TYPE C

3 min. adhesive weep holes or slots each side, variable spacing.

GUARDRAIL AND BARRIER WALL DELINEATION



TYPICAL GUARDRAIL MOUNTING WITH REFLECTOR MARKER TYPE A



Cross section may be "T" or "L" shaped and may have side supports at ends.

REFLECTORS

Minimum total area of base 7.0 Sq. in. (4,516 mm²)

USER NAME = #USER#	DESIGNED -	REVISED -
PLOT SCALE = #SCALE#	DRAWN -	REVISED -
PLOT DATE = #DATE#	CHECKED -	REVISED -
	DATE - 11/2012	REVISED -

F.A.P. RTE.	SECTION	COUNTY	TOTAL SHEETS	SHEET NO.
665	(144-B-1)BR	FULTON	48	42
635101 PAGE 3 OF 3			CONTRACT NO. 68778	
ILLINOIS FED. AID PROJECT				

All dimensions are in inches (millimeters) unless otherwise noted.