

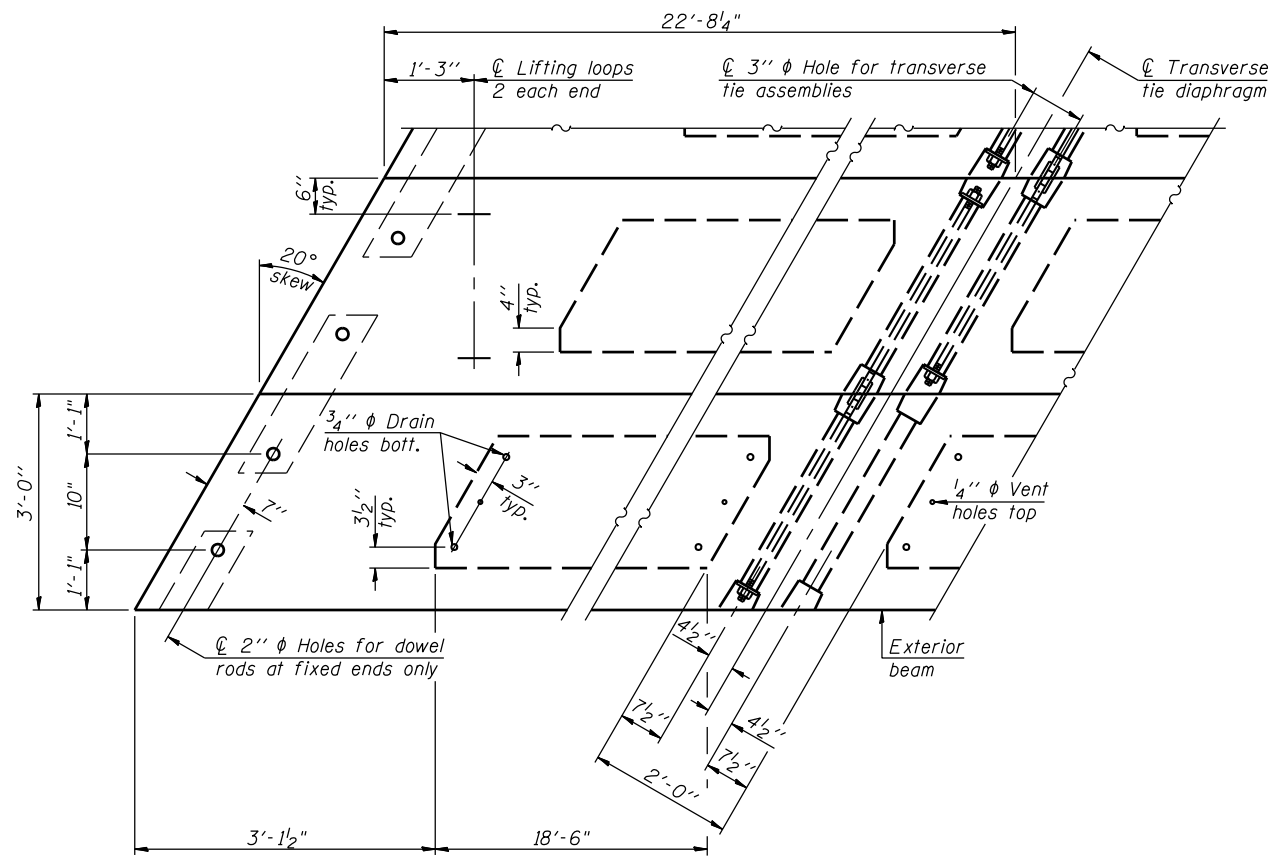
FABRIC BEARING PAD
(Interior)

FABRIC BEARING PAD
(Exterior)

SECTION A-A

FIXED

Notes:
All bearing pads shall be 1" thick.
Omit holes when using expansion bearings.
Expansion bearing pad shall be bonded to the substructure.

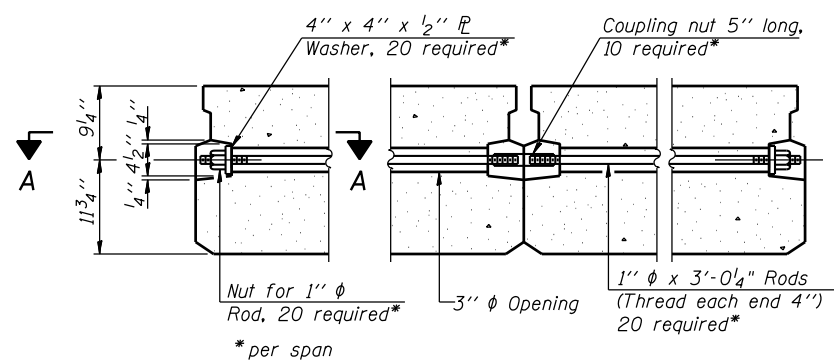


PLAN VIEW

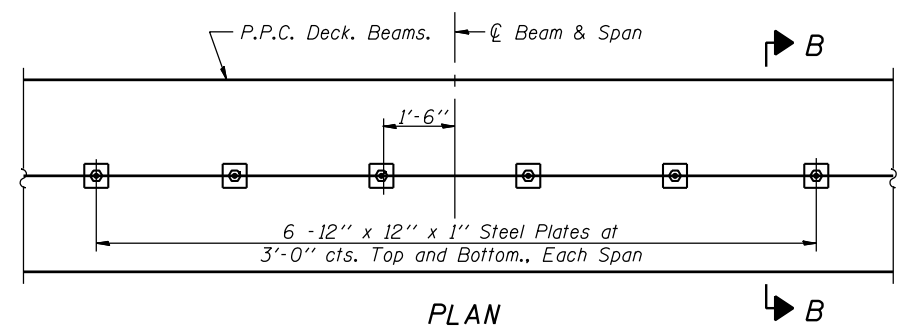
Note:
Connect beams in pairs with the transverse tie configuration shown.

NOTES

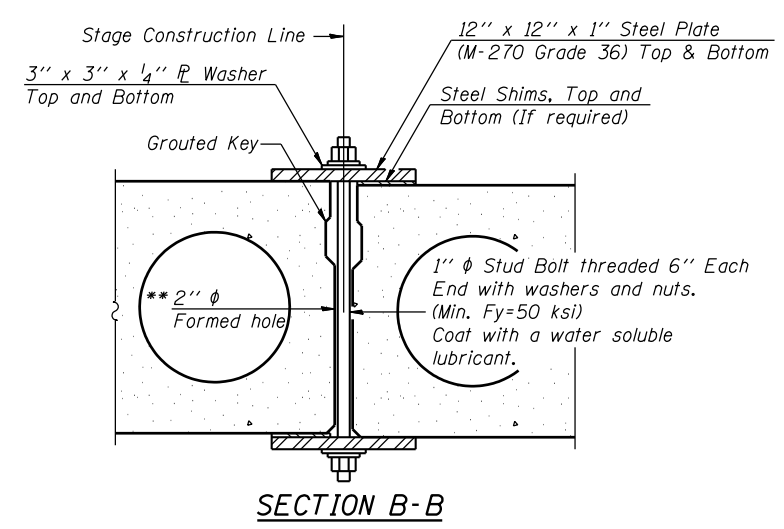
Prestressing steel shall be uncoated high strength, low relaxation 7-wire strand, Grade 270. The nominal diameter shall be 1/2" and the nominal cross-sectional area shall be 0.153 sq. in.
The 1" rods in the transverse tie assembly shall be tightened to a snug fit and the threads set. Pockets on exterior faces of bridge shall be filled with grout after transverse tie assembly is in place.
Reinforcement bars shall conform to ASTM A 706, Grade 60. (See Special Provisions).
Two 1/8" fabric adjusting shims of the dimensions of the exterior bearing pad shall be provided for each bearing pad location.
A minimum 2 1/2" diameter lifting pin shall be used to engage the lifting loops during handling.
Corrosion Inhibitor, per Article 1020.05(b)(12) and 1021.06 of the Standard Specifications, shall be used in the concrete for precast prestressed concrete deck beams.
Compressive strength of prestressed concrete, f'c, shall be 6000 psi.
Compressive strength of prestressed concrete at release, f'ci, shall be 5000 psi.



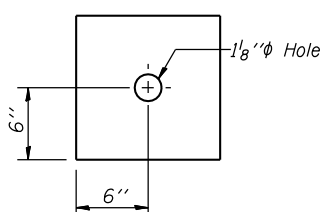
TYPICAL TRANSVERSE TIE ASSEMBLY



PLAN



SECTION B-B

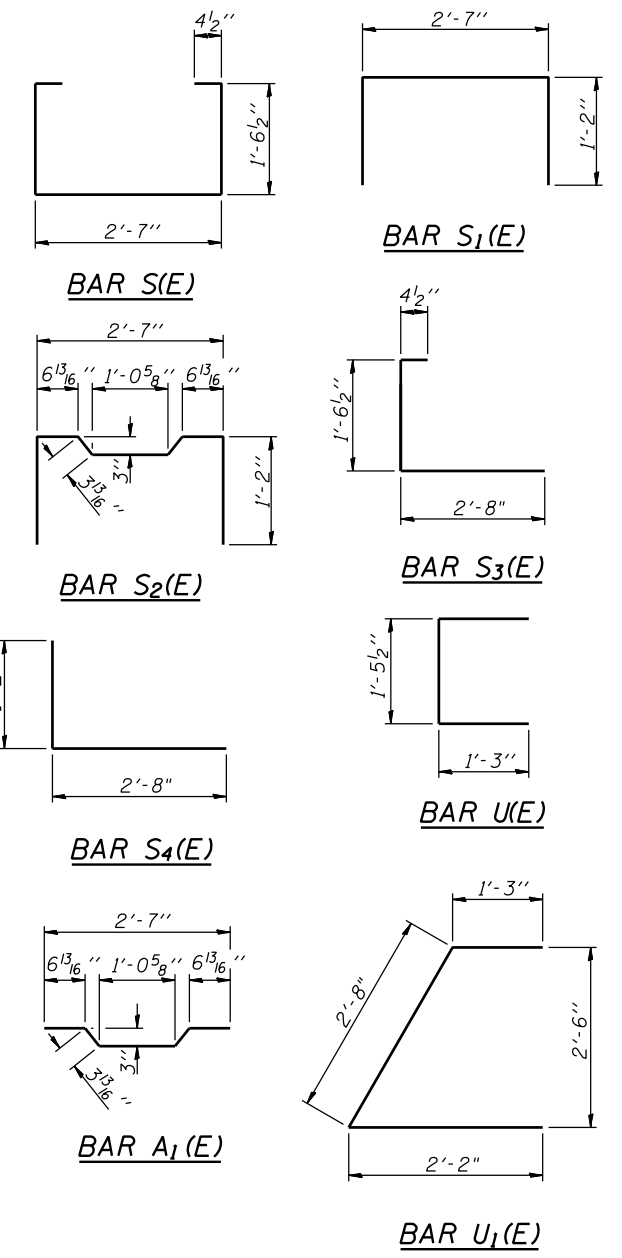


CLAMPING PLATE

SHEAR KEY CLAMPING DETAILS AT STAGE CONST. JT.

Cost included with Precast Prestressed Concrete Deck Beams.
See Stage Construction Details for traffic lanes.

** Cast semicircular recesses in the sides of each beam adjacent to the stage construction line. These recesses should align to form a hole at the appropriate locations for the clamping device bolts.



LIFTING LOOP DETAIL

BILL OF MATERIAL

Precast Prestressed Conc. Deck Bms. (21" depth)	Sq. Ft.	2,996
---	---------	-------

FILE NAME = s:\p1\63800-6399\6346\micos\finds\plans\structural\010-DEAM.dgn



1170 SOUTH HOUBOLT ROAD JOLIET, ILLINOIS 60431 (815) 744-4200	USER NAME = rjgond	DESIGNED RRD	REVISIONS
		CHECKED AJS	REVISIONS
		DRAWN BJF	REVISIONS
		CHECKED AJS	REVISIONS

**STATE OF ILLINOIS
DEPARTMENT OF TRANSPORTATION**

**21" x 36" PPC DECK BEAM DETAILS
STRUCTURE NO. 092-0171**

SHEET NO. 11 OF 16 SHEETS

F.A.P. RTE. 840	SECTION 120BR-1	COUNTY VERMILION	TOTAL SHEETS 44	SHEET NO. 23
ILLINOIS FED. AID PROJECT			CONTRACT NO. 70615	