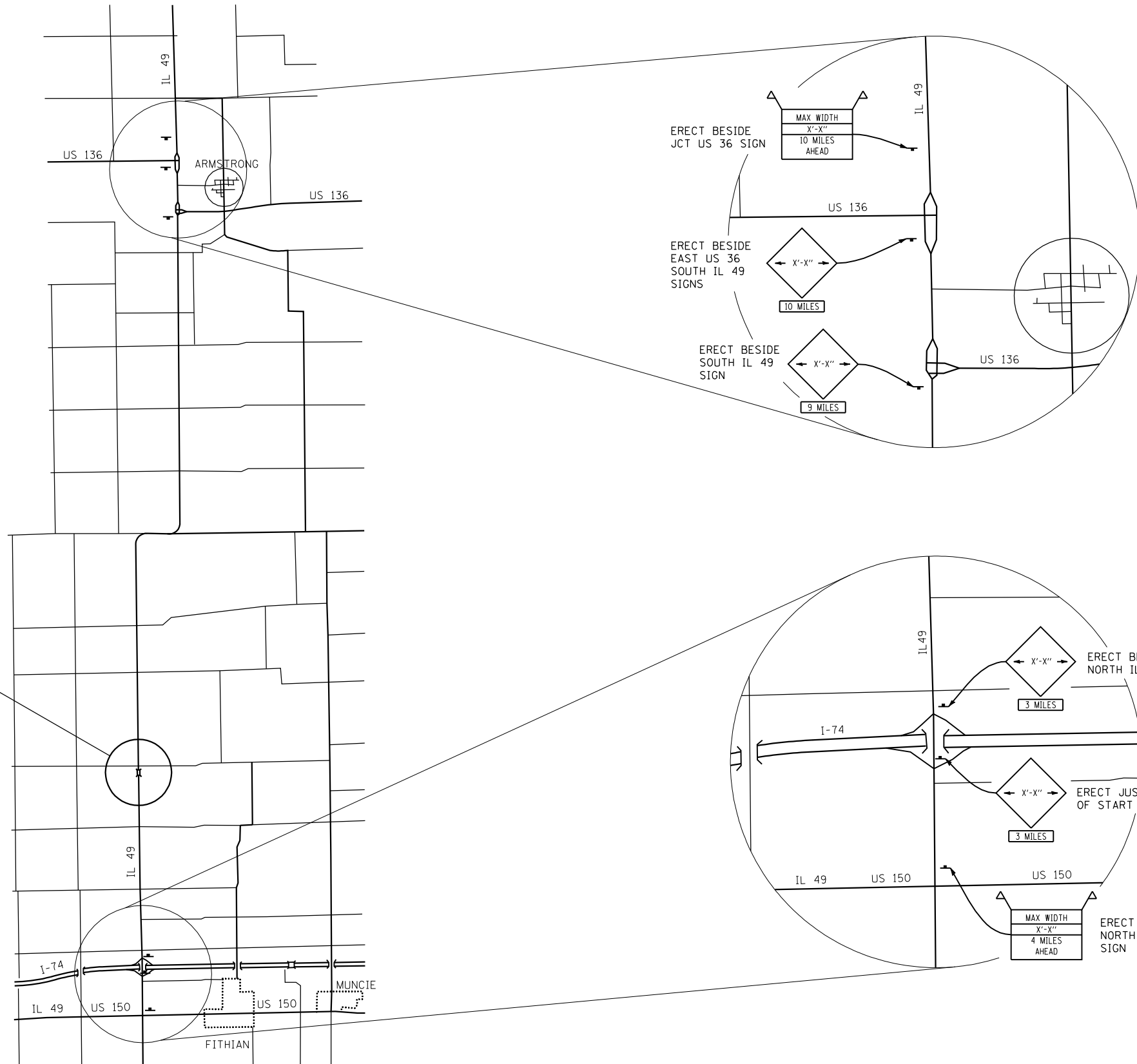




PROJECT LOCATION
SN 092-0171



X'-X" = 10'-6" STAGES I AND II

SEE SHEET 27 OF 35 FOR ADDITIONAL INFORMATION

CB Coombe-Bloxdorf P.C.
- CIVIL ENGINEERS -
- STRUCTURAL ENGINEERS -
- LAND SURVEYORS -
Design Firm License No. 184-002703

FILE NAME = ...\\v8-ns\d570615-shr-staging.dgn	USER NAME = CFC..	DESIGNED -	REVISED -
		DRAWN - CFC	REVISED -
		CHECKED - CCJ	REVISED -
CB PROJECT NO 06027-7	PLOT DATE = 6/14/2011	DATE - / /	REVISED -

**STATE OF ILLINOIS
DEPARTMENT OF TRANSPORTATION**

**MAX WIDTH SIGNING
SN 092-0171**

SCALE: SHEET NO. OF SHEETS STA. TO STA.

F.A.P. RTE.	SECTION	COUNTY	TOTAL SHEETS	SHEET NO.
840	120BR-1	VERMILION	44	29
				CONTRACT NO. 70615
ILLINOIS FED. AID PROJECT				