

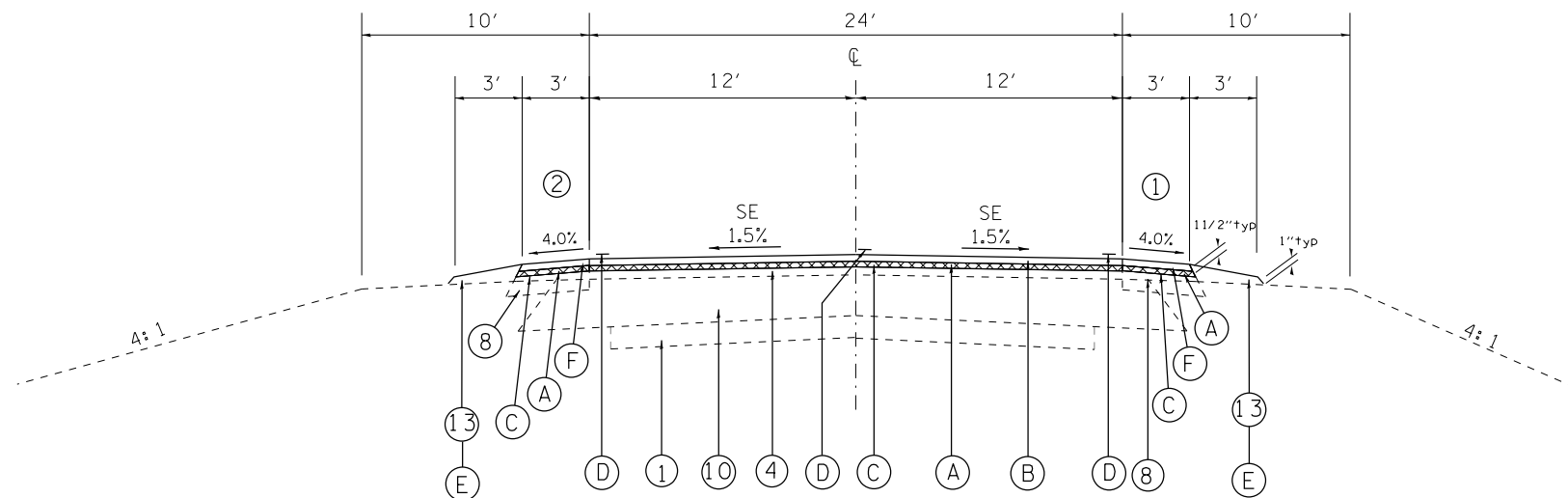
STA 618+29.13 TO STA 620+60

SE AREAS

STA 626+17.14 TO STA 628+41.14 - SE TRANS.  
 STA 628+41.14 TO STA 647+28.98 - FULL SE = 4.1% (SLOPE TO THE RT)  
 STA 647+28.98 TO STA 649+52.98 - SE TRANS.

NOTE:

SEE HIGHWAY STD. 6420006, SCHEDULES OF QUANTITIES, AND SHEET 23 FOR PLACEMENT OF PROPOSED CENTERLINE RUMBLE STRIPS.



STA 620+60 TO STA 635+55 (SEE SE AREA)

- ① LOW SIDE OF SE - SHLD. SHALL BE SLOPED THE SAME AS SE OF PAV'T, BUT NOT LESS THAN 4%
- ② HIGH SIDE OF SE - WHEN SE OF PAV'T IS BETWEEN 0% AND 4%, THE SHLD. SHALL BE SLOPED AT 4%. WHEN THE SE OF PAV'T EXCEEDS 4%, THE SHLD. SHALL BE SLOPED SO THE ALGEBRAIC DIFFERENCE BETWEEN PAV'T AND SHLD. SLOPES WILL NOT BE GREATER THAN 8%.

EXISTING LEGEND

- ① EX PCC PAVEMENT (8")
- ② EX BIT. BASE COURSE WIDENING (8" & VAR.)
- ③ EX BIT. OVERLAY (3")
- ④ EX BIT. OVERLAY (2-1/2")
- ⑤ EX BRICK SURFACING
- ⑥ EX 8" SHOULDER (BAM)
- ⑦ EX PCC BASE COURSE WIDENING (8")
- ⑧ EX HOT-MIX ASPHALT SHOULDER 8"
- ⑨ EX BIT BASE COURSE (8" & VAR.)
- ⑩ EX SUB-BASE GRANULAR MATERIAL
- ⑪ EX GRANULAR EMBANKMENT SPECIAL-THICKNESS VAR.
- ⑫ EX RALUMAC MICRO-SURFACING
- ⑬ EX AGG SHOULDER, TYPE B
- ⑭ EX CONCRETE PAVEMENT
- ⑮ EX CONCRETE WIDENING
- ⑯ EX HMA OVERLAY, 2"
- ⑰ EX HMA WIDENING, 9"
- ⑱ EX CONCRETE GUTTER, TY B (SPECIAL)
- ⑲ EX HMA OVERLAY, 5 1/2 & VARIABLE

PROPOSED LEGEND

- Ⓐ PROP LEVELING BINDER (MACHINE METHOD), N70 (3/4")
- Ⓑ PROP HOT-MIX ASPHALT SURFACE COURSE, MIX "D", N70 (1-1/2")
- Ⓒ PROP HMA SURFACE REMOVAL VAR. DEPTH, 3/4" TYP
- Ⓓ PROP MODIFIED URETHANE PAV'T MARKING - LINE 5"
- Ⓔ PROP AGG SHOULDER, TYPE B
- Ⓕ PROP HOT - MIX ASPHALT SHOULDER (AVG. DEPTH = 1 1/2")

FILE NAME =	USER NAME = sparksgw	DESIGNED -	REVISED -	<b>STATE OF ILLINOIS DEPARTMENT OF TRANSPORTATION</b>	<b>TYPICAL SECTIONS</b>			F.A.P. RTE.	SECTION	COUNTY	TOTAL SHEETS	SHEET NO.			
Default	ct:\pw\work\p\dot\sparksgw\10313593\0672\F72-sht-typical.dgn	DRAWN -	REVISED -		SCALE:	SHEET 4	OF 5	SHEETS	STA.	TO STA.	662	.	SANGAMON	28	10
	PLOT SCALE = 100.0000' / in.	CHECKED -	REVISED -											CONTRACT NO. 72F72	
	PLOT DATE = Oct-19-2012 01:00:33PM	DATE -	REVISED -											ILLINOIS FED. AID PROJECT	