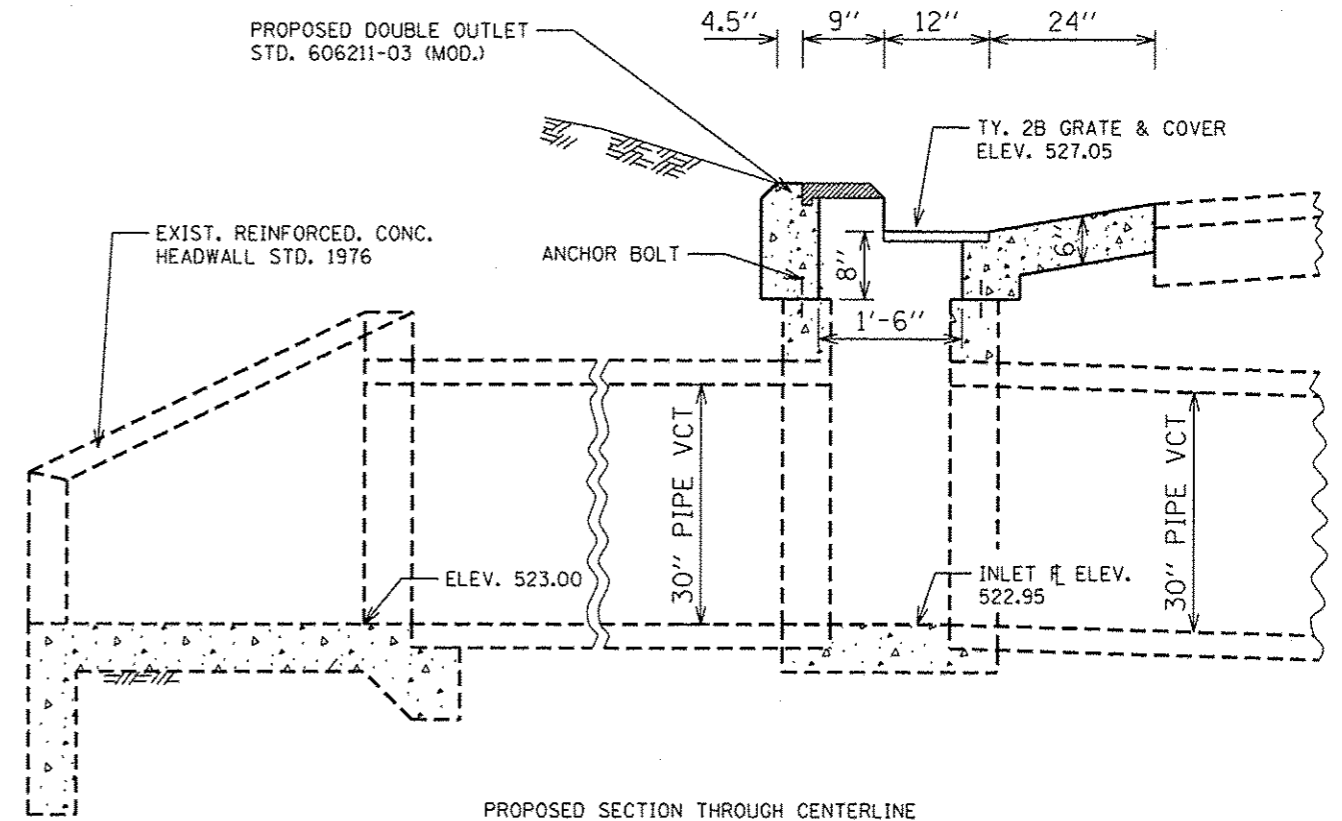
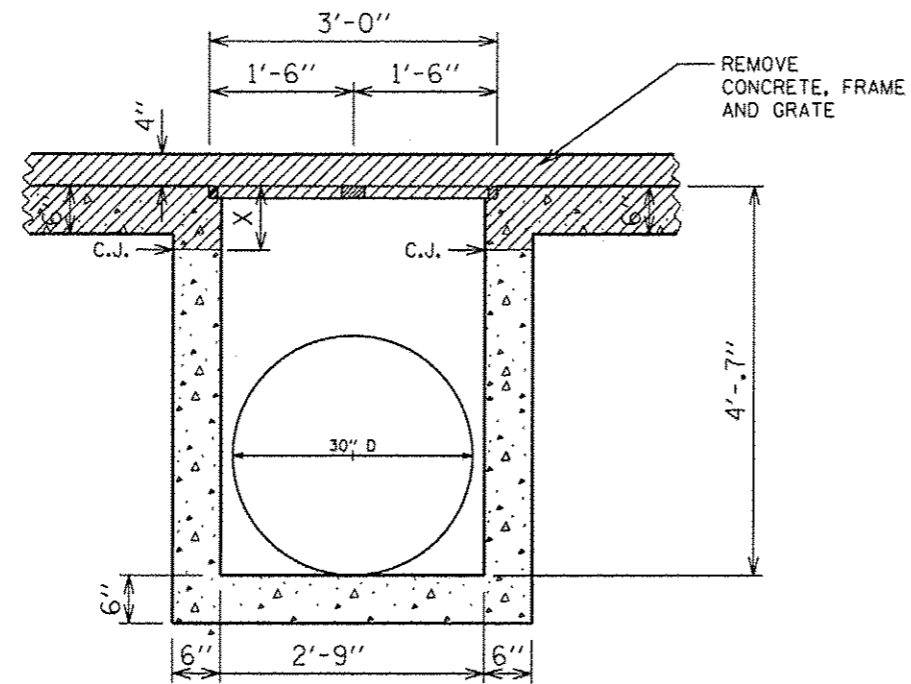


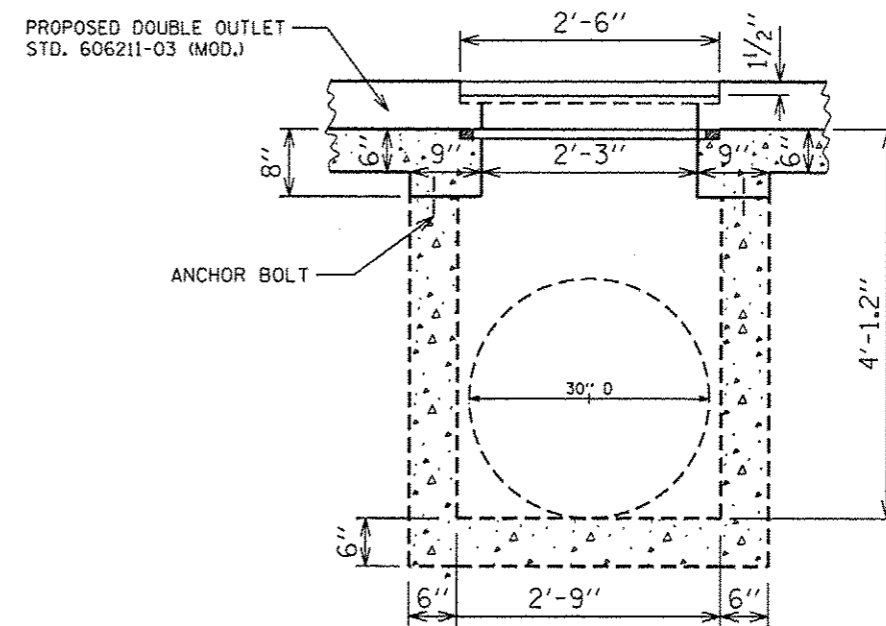
EXISTING SECTION THROUGH CENTERLINE



PROPOSED SECTION THROUGH CENTERLINE



EXISTING CROSS-SECTIONAL VIEW



PROPOSED CROSS-SECTIONAL VIEW

**NOTES:**

REMOVE EXISTING 26.5' OF TYPE B GUTTER. SEE PLAN VIEW ON SHEET NO. 12

\* ONLY DEPTH OF THE INLET WAS MODIFIED

C.J. - CONSTRUCTION JOINT

X - VARIES BY EACH LOCATION

**NOTES:**

CONSTRUCT DOUBLE OUTLET TYPE B GUTTER (SECTION C-C & D-D). SEE SHEET NO. 13

FILE NAME *	USER NAME * shahde	DESIGNED -	REVISED -	<b>STATE OF ILLINOIS DEPARTMENT OF TRANSPORTATION</b>	<b>DRAINAGE STRUCTURE DETAILS STA. 963 + 50 (LT.)</b>			F.A.P. RTE.	SECTION	COUNTY	TOTAL SHEETS	SHEET NO.
Default	Default	DRAWN - DMS	REVISED -		SCALE:	SHEET 13	OF 17 SHEETS	STA.	TO STA.	HANCOCK	28	24
		CHECKED -	REVISED -									
		DATE -	REVISED -									