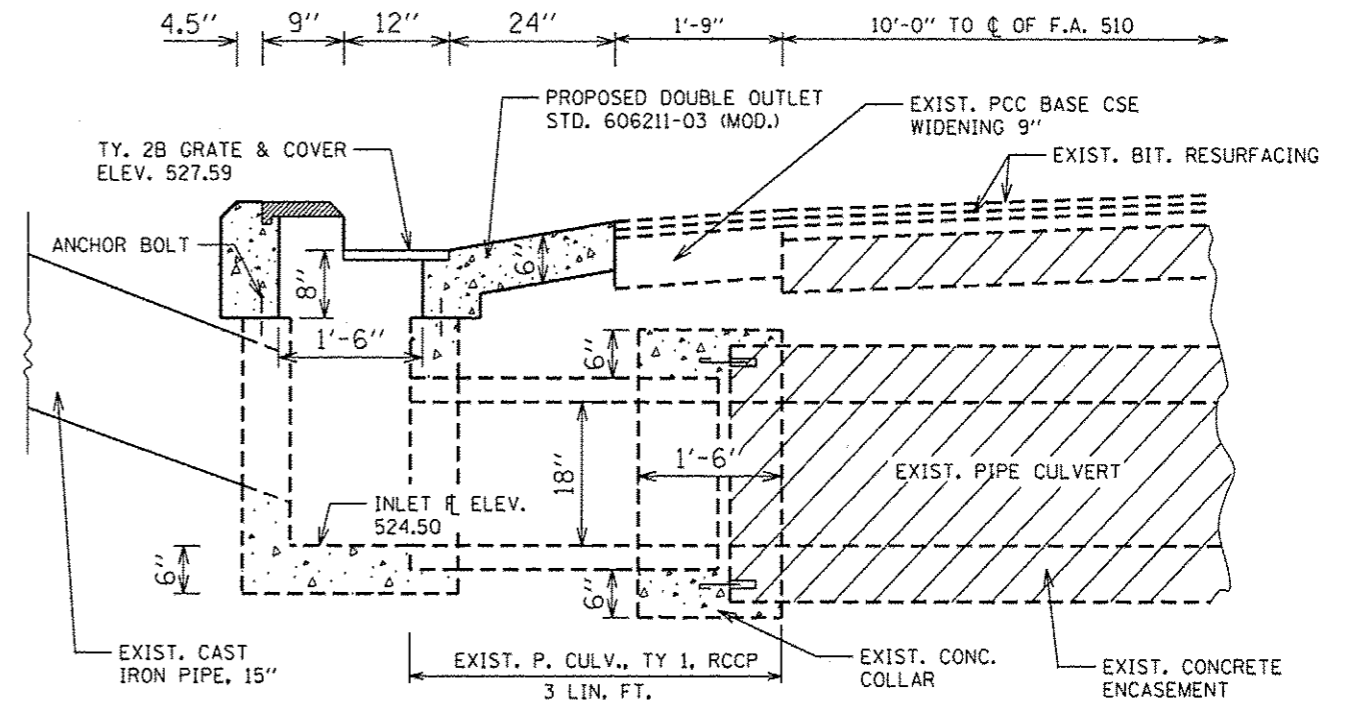
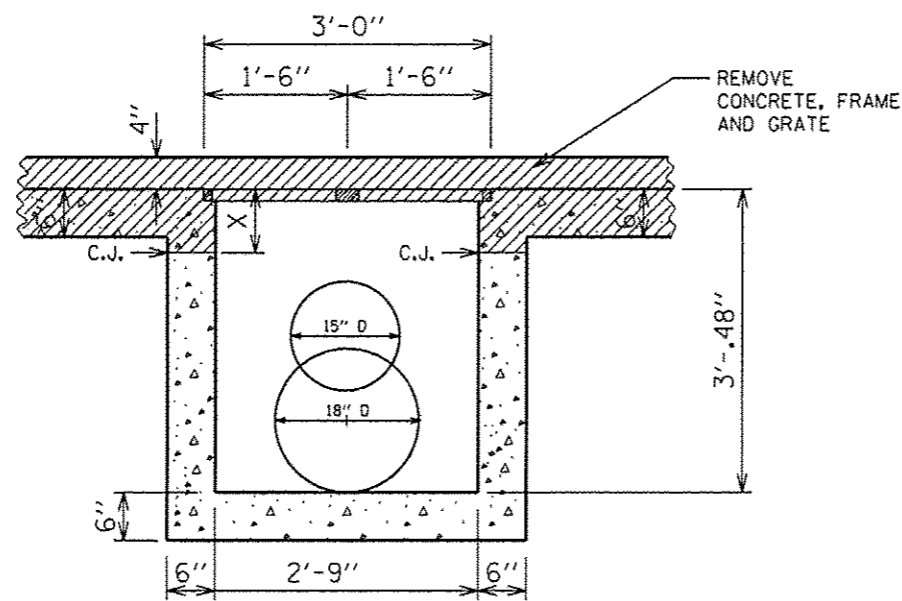


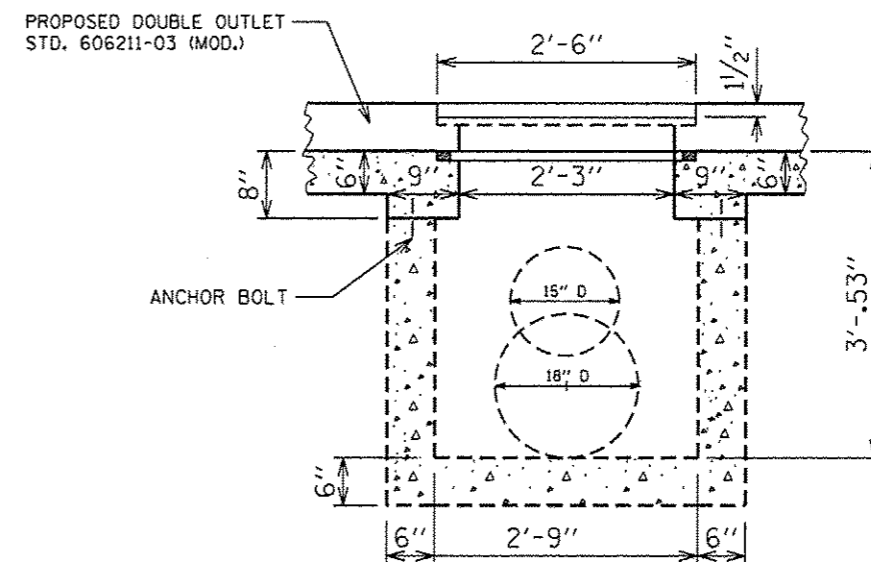
EXISTING SECTION THROUGH CENTERLINE



PROPOSED SECTION THROUGH CENTERLINE



EXISTING CROSS-SECTIONAL VIEW



PROPOSED CROSS-SECTIONAL VIEW

NOTES:

CONSTRUCT DOUBLE OUTLET TYPE B GUTTER (SECTION C-C & D-D). SEE SHEET NO. 13

NOTES:

REMOVE EXISTING 26.5' OF TYPE B GUTTER. SEE PLAN VIEW ON SHEET NO. 12

* ONLY DEPTH OF THE INLET WAS MODIFIED

C.J. - CONSTRUCTION JOINT
X - VARIES BY EACH LOCATION

STATE OF ILLINOIS
DEPARTMENT OF TRANSPORTATION

DRAINAGE STRUCTURE DETAILS
STA. 1041 + 31 (LT.)

| | | | | |
|--------------------|--------------------|-------------------|---------------------------|-----------------|
| F.A.P. RTE. 510 | SECTION (1201T) | COUNTY HANCOCK | TOTAL SHEETS 28 | SHEET NO. 26 |
| CONTRACT NO. 72F73 | | | ILLINOIS FED. AID PROJECT | |

| | | | |
|--|--------------------|-------------|-----------|
| FILE NAME = | USER NAME = shahdm | DESIGNED - | REVISED - |
| o:\p\work\p\dot\shahdm\d0316114\06xxxx | shh-wash.t.dgn | DRAWN - DMS | REVISED - |
| PLOT SCALE = 48.0000 1/16" | | CHECKED - | REVISED - |
| PLOT DATE = Nov-28-2012 10:04:11AM | | DATE - | REVISED - |

SCALE: SHEET 15 OF 17 SHEETS STA. TO STA.