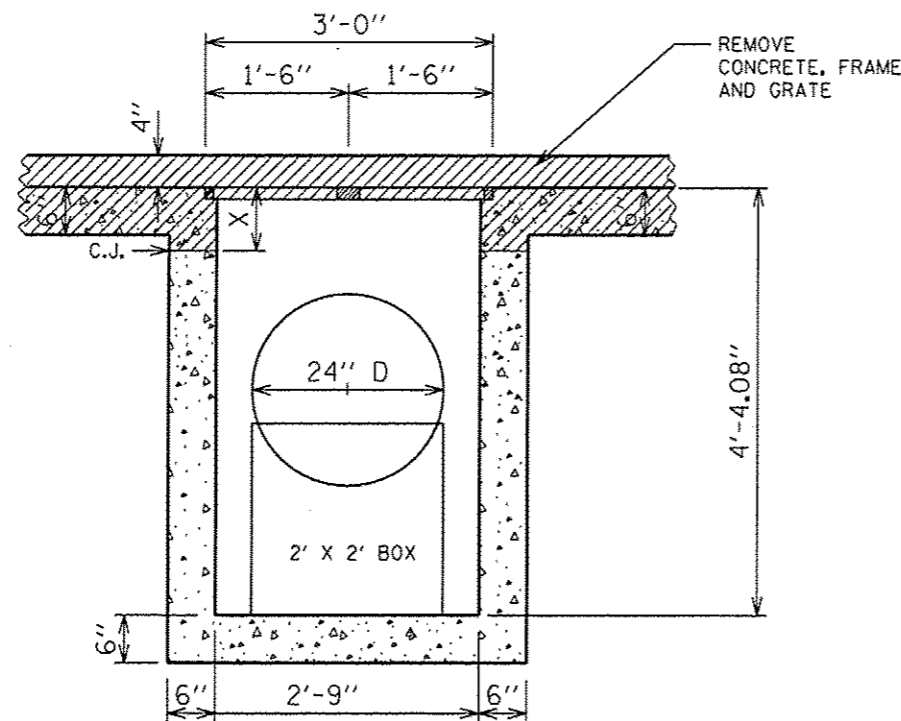


EXISTING SECTION THROUGH CENTERLINE



EXISTING CROSS-SECTIONAL VIEW

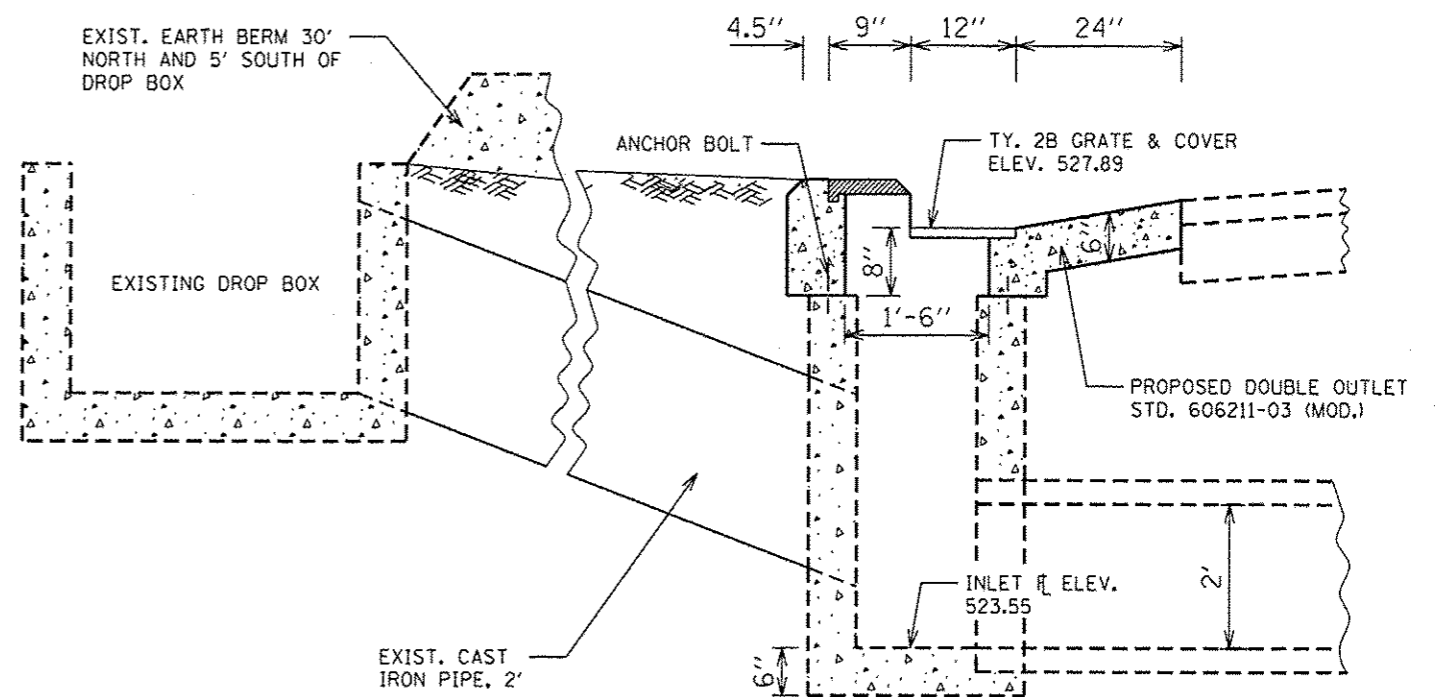
NOTES:

REMOVE EXISTING 26.5' OF TYPE B GUTTER. SEE PLAN VIEW ON SHEET NO. 12

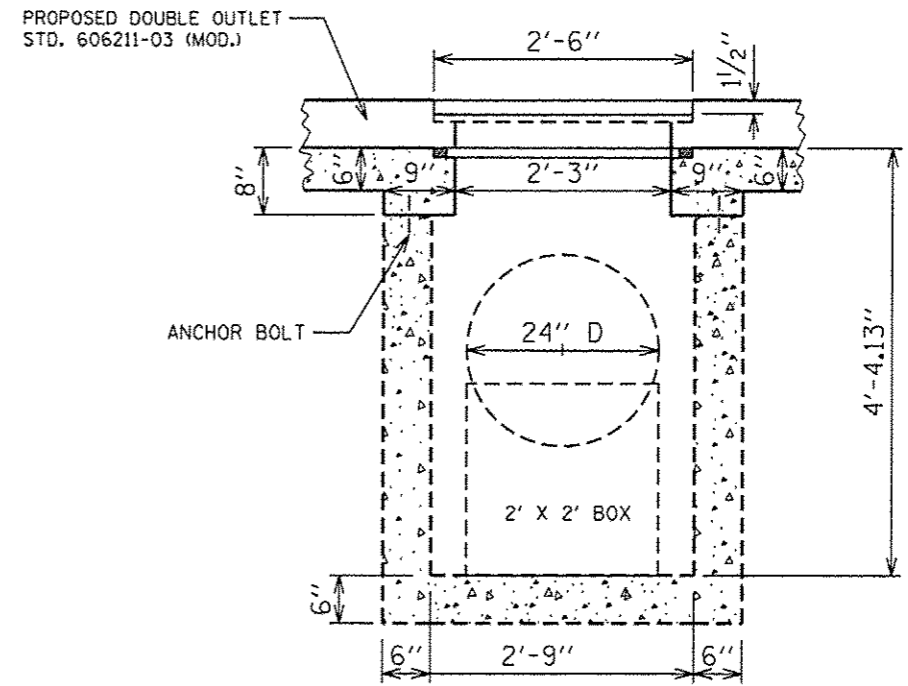
* ONLY DEPTH OF THE INLET WAS MODIFIED

C.J. - CONSTRUCTION JOINT

X - VARIES BY EACH LOCATION



PROPOSED SECTION THROUGH CENTERLINE



PROPOSED CROSS-SECTIONAL VIEW

NOTES:

CONSTRUCT DOUBLE OUTLET TYPE B GUTTER (SECTION C-C & D-D). SEE SHEET NO. 13

FILE NAME *	USER NAME * shehdm	DESIGNED -	REVISED -	STATE OF ILLINOIS DEPARTMENT OF TRANSPORTATION	DRAINAGE STRUCTURE DETAILS STA. 1049 + 75 (LT.)			F.A.P. RTE. *	SECTION	COUNTY	TOTAL SHEETS	SHEET NO.		
c:\pwwork\pwwork\shahdm\d8316114\06xxxx\shh-xash1.dgn	DRAWN - DMS	REVISED -	REVISED -		SCALE:	SHEET 17	OF 17 SHEETS	STA.	TO STA.	510	(120)T	HANCOCK	28	28
PLOT SCALE * 40.0000' / in.	CHECKED -	REVISED -	REVISED -		CONTRACT NO. 72F73									
Default	DATE -	REVISED -	REVISED -		ILLINOIS FED. AID PROJECT									
PLOT DATE * Nov-20-2012 10:04:20AM		DATE -	REVISED -											