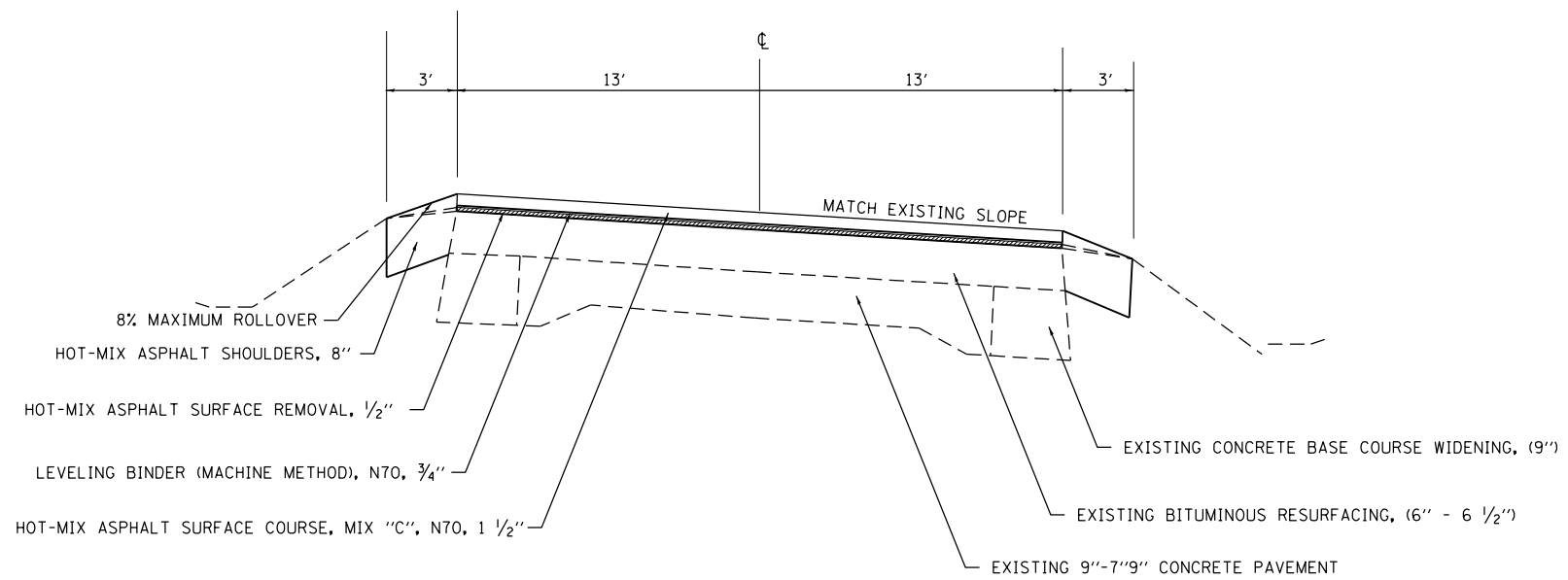


TYPICAL SECTION
 STA 619+70 TO 622+48 •
 • GUTTER CONTINUES TO STA 622+77 ON LEFT



TYPICAL SECTION
 STA. 744+56.3 TO STA. 802+74.7

FILE NAME =	USER NAME = teasleyck	DESIGNED -	REVISED -
ct:\pwork\pwork\teasleyck\0121473\0774156-sht-typicals.dgn		DRAWN -	REVISED -
	PLOT SCALE = 100.0000' / 1"	CHECKED -	REVISED -
	PLOT DATE = 10/30/2012	DATE -	REVISED -

STATE OF ILLINOIS
 DEPARTMENT OF TRANSPORTATION

TYPICAL SECTIONS			
SCALE:	SHEET 5	OF 5 SHEETS	STA. TO STA.

F.A. RTE.	SECTION	COUNTY	TOTAL SHEETS	SHEET NO.
••	•	Macon, Platt	44	13
CONTRACT NO. 74156			ILLINOIS FED. AID PROJECT	

•(125,126,126R)RS-2&(126BR)B
 ••FAS 1536 & FAU 7464