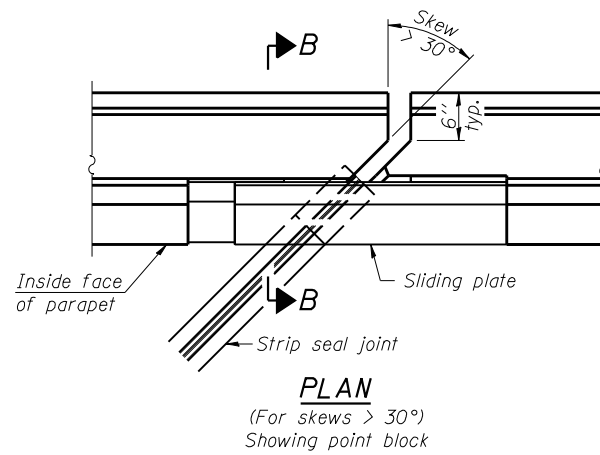
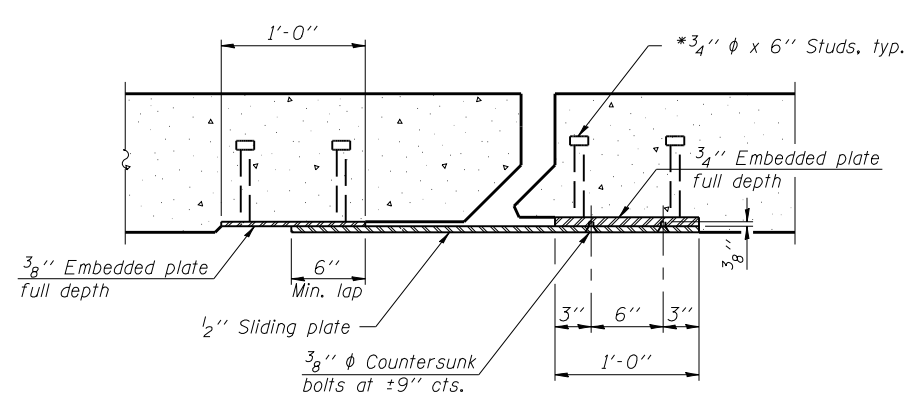


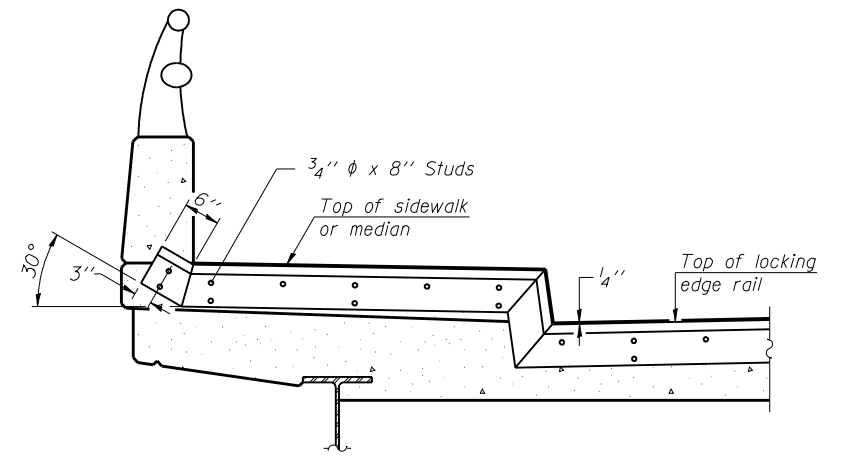
PLAN
(For skews $\leq 30^\circ$)



PLAN
(For skews $> 30^\circ$)
Showing point block

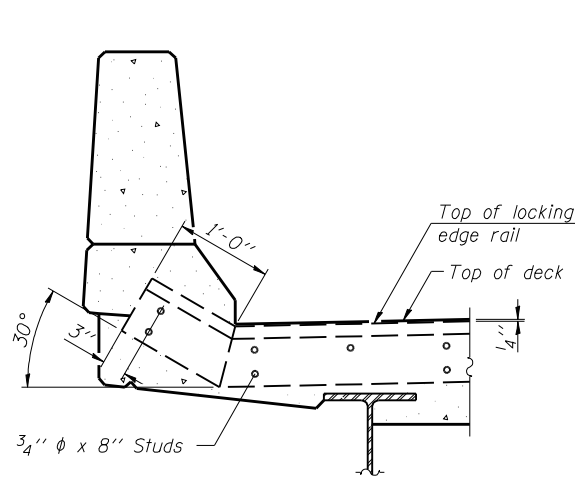


SECTION C-C

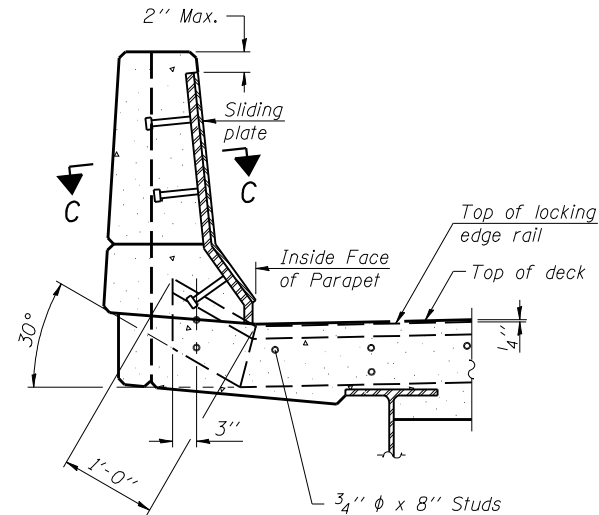


TYPICAL END TREATMENT AT SIDEWALK OR MEDIAN

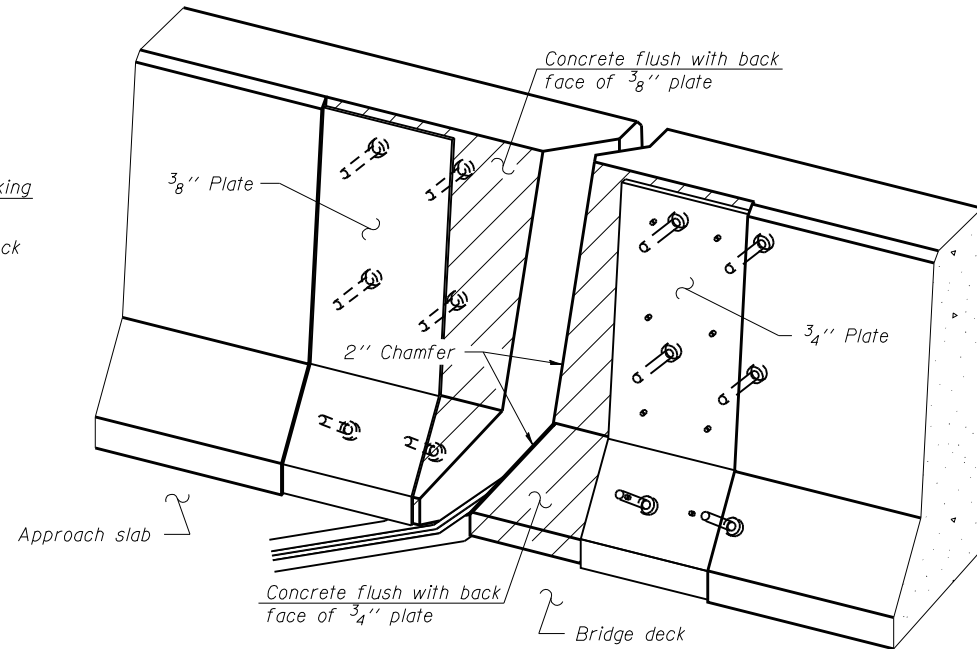
Shorter plates with a single row of studs at 12" cts. may be necessary on medians which are shallower than 9". See manufacturer's recommendation.



SECTION A-A



SECTION B-B



TRIMETRIC VIEW
(Showing back plates only)

Notes:

The strip seal shall be made continuous and shall have a minimum thickness of 1/4". The configuration of the strip seal shall match the configuration of the Locking Edge Rails.

The height and thickness of the Locking Edge Rails shown are minimum dimensions. The actual configuration of the Locking Edge Rails and matching strip seal may vary from manufacturer to manufacturer. Flanged edge rails will not be allowed.

The inside of the Locking Edge Rail groove shall be free of weld residue.

Locking Edge Rails may spliced at slope discontinuities and stage construction joints.

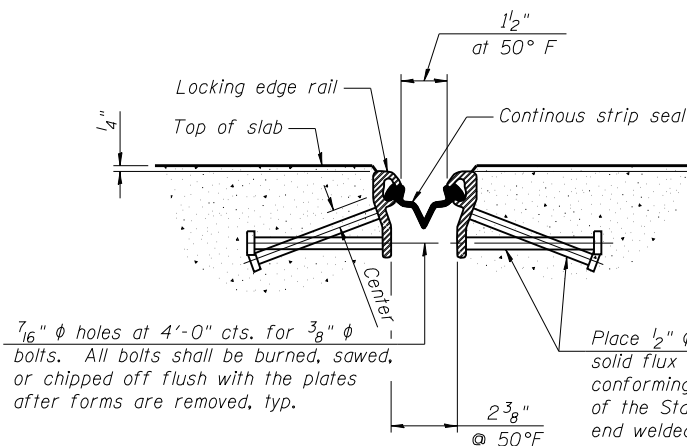
The manufacturer's recommended installation methods shall be followed.

All steel components shall be galvanized after fabrication according to Article 520.03 of the Standard Specifications.

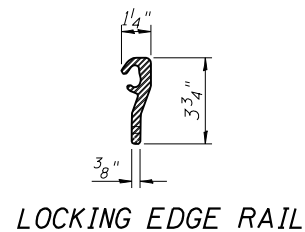
Maximum space between rail segments at stage lines shall be 3/16", sealed with a suitable sealant.

Parapet plates and anchorage studs for skews $> 30^\circ$ included in the cost of Preformed Joint Strip Seal.

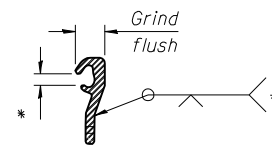
PRINT DATE: 9/27/2011 12:29:35 PM z:\11015_bld_idot_roads_roaddgn\brt\p\1\plotsheets\0790019-004-Strip_Seal_Details.dgn



SECTION THRU STRIP SEAL JOINT FOR OVERLAY OVER DECK BEAMS



LOCKING EDGE RAIL



LOCKING EDGE RAIL SPLICE

* Omit weld at seal opening

BILL OF MATERIAL

| Item | Unit | Total |
|----------------------------|------|-------|
| Preformed Joint Strip Seal | Foot | 77.9 |

EJ-SSJ

7-1-10

EFK Moen, LLC
Civil Engineering Design
331 Salem Place, Suite 225
Fairview Heights, IL 62208
Phone 618-206-4250

| | | |
|------------------------------|------------------|-----------|
| USER NAME = jo | DESIGNED - CTW | REVISED - |
| PLOT SCALE = 0:1' = 1/4" IN. | CHECKED - CDL | REVISED - |
| PLOT DATE = 9/27/2011 | DRAWN - DP | REVISED - |
| | DATE - 9/27/2011 | REVISED - |

| | |
|------------------|-----------|
| DESIGNED - CTW | REVISED - |
| CHECKED - CDL | REVISED - |
| DRAWN - DP | REVISED - |
| DATE - 9/27/2011 | REVISED - |

STATE OF ILLINOIS
DEPARTMENT OF TRANSPORTATION

PREFORMED JOINT STRIP SEAL
STRUCTURE NO. 079-0019

SHEET NO. 4 OF 13 SHEETS

| | | | | |
|---------------------------|---------|----------|--------------------|-----------|
| F.A.S. RTE. | SECTION | COUNTY | TOTAL SHEETS | SHEET NO. |
| 858 | 12VB-11 | RANDOLPH | 72 | 37 |
| ILLINOIS FED. AID PROJECT | | | CONTRACT NO. 76409 | |