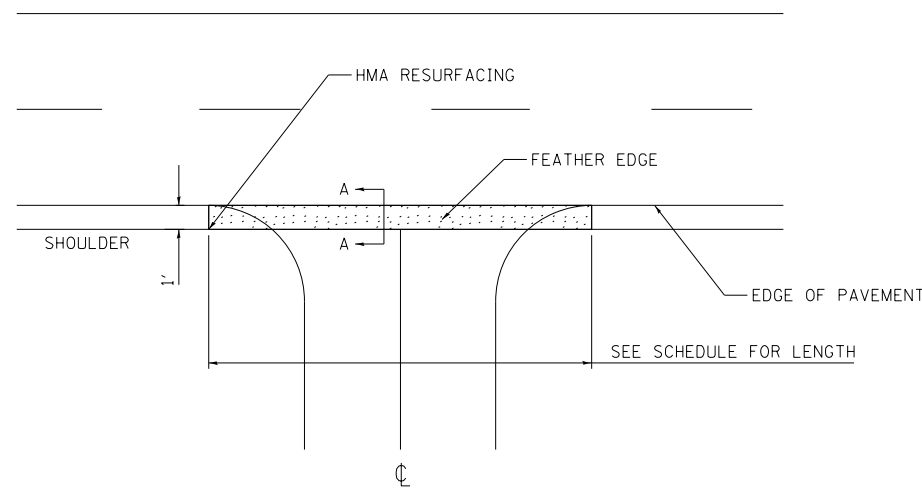
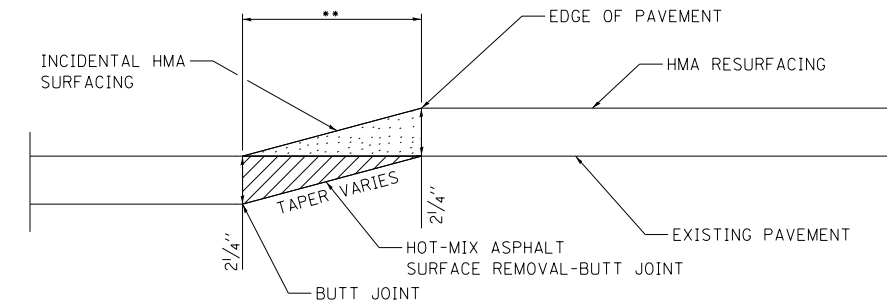


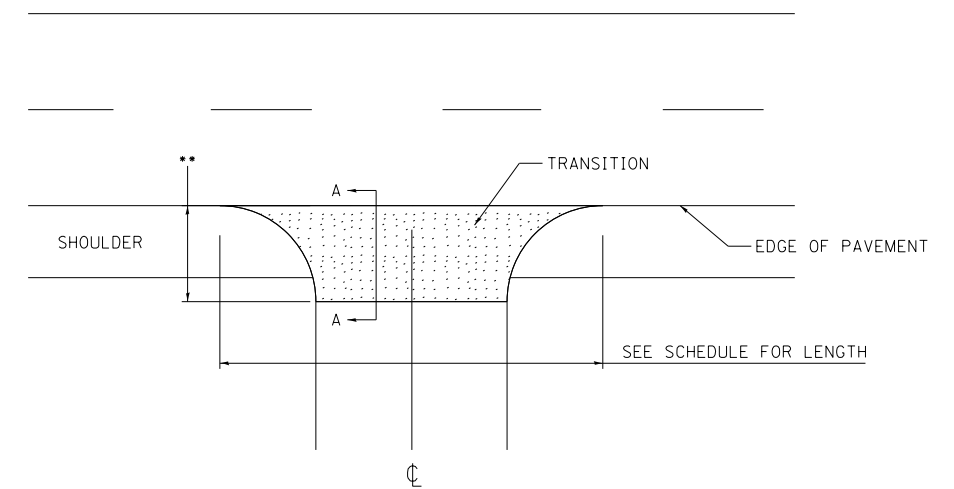
FEATHER EDGE DETAIL
SECTION A-A



ENTRANCE DETAIL
CE, PE, FE



TRANSITION DETAIL
SECTION A-A
BUTT-JOINT ADDITION



SIDEROAD DETAIL

•EOP ELEVATION CHANGE	••TOTAL TRANSITION LENGTH
3/4"	3.5'
1"	5'
1 1/2"	7.5'
2"	10'
2 1/2"	12.5'
3"	15'
3 1/2"	17.5'
4"	20'
4 1/2"	22.5'
5"	25'
5 1/2"	27.5'
6"	30'

NOTE:
WHERE THE HMA TRANSITION IS MATCHING INTO AN EXISTING HMA SIDE ROAD SURFACE, A MILLED BUTT JOINT SHALL BE CONSTRUCTED WITHIN THE LIMITS OF THE TOTAL TRANSITION LENGTH ON THE LOCAL ROUTE.

E:\10224\Plan_Sheets\0876479-sht-details.dgn

USER NAME = Plotted by Scott	DESIGNED - RK	REVISED -
	DRAWN - RK	REVISED -
PLOT SCALE = 2.0000' / in.	CHECKED - SEW	REVISED -
PLOT DATE =	DATE - 2-1-2013	REVISED -

F.A.P. RTE.	SECTION	COUNTY	TOTAL SHEETS	SHEET NO.
42	1-1BR-2	CLINTON	159	133
CONTRACT NO. 76479				
ILLINOIS FED. AID PROJECT				