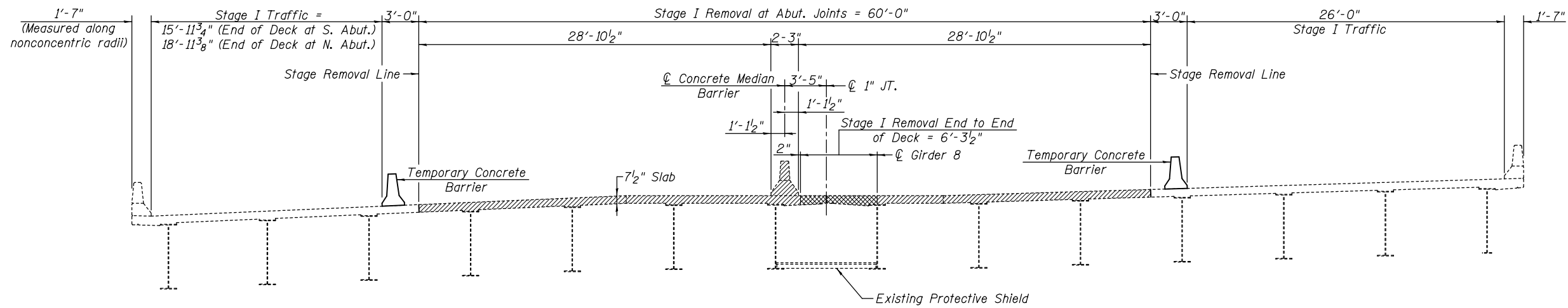
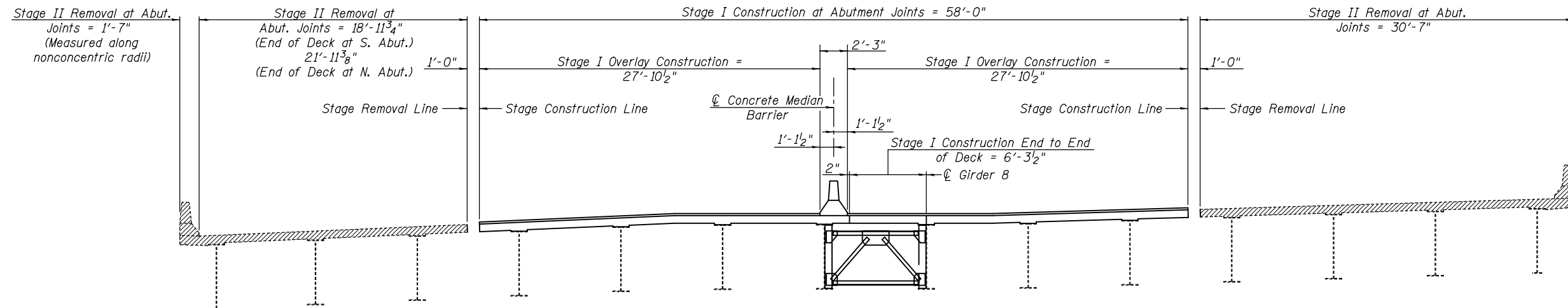


CROSS SECTIONS LOCATED AT ABUTMENT JOINTS



STAGE I REMOVAL & STAGE I TRAFFIC
(Southbound - Looking North)

- Concrete Removal End to End of deck and at Abutment Joints
- Concrete Removal at Abutment Joints



STAGE I CONSTRUCTION & STAGE II REMOVAL
(Southbound - Looking North)

Note: All transverse dimensions are measured along the radii of F.A.I. Rt. 255 curves except as noted.
For quantity of temporary concrete barrier, see Roadway Plans.
For details of temporary concrete barrier, see Sheets 7 of 22.
Staging is for information only.
Coordinate with roadway staging.

STAGE CONSTRUCTION DETAILS
SOUTH BOUND LANES
S.N. 082-0241 (NB) & S.N. 082-0242 (SB)

FILE NAME =	USER NAME =	DESIGNED -	REVISED -		Allen Henderson & Associates, Inc. Civil and Structural Engineers Springfield, IL 62703 Phone: (217)544-8033 IL Design Firm No. 184-001907	STAGE CONSTRUCTION DETAILS	F.A.I. RTE.	SECTION	COUNTY	TOTAL SHEETS	SHEET NO.
	PLOT SCALE =	DRAWN -	REVISED -				255	82-2HB-2-1	ST. CLAIR	54	35
PLOT DATE =	CHECKED -	REVISED -	REVISED -			SHEET NO. 3 OF 22 SHEETS	CONTRACT NO. 76B21		ILLINOIS FED. AID PROJECT		