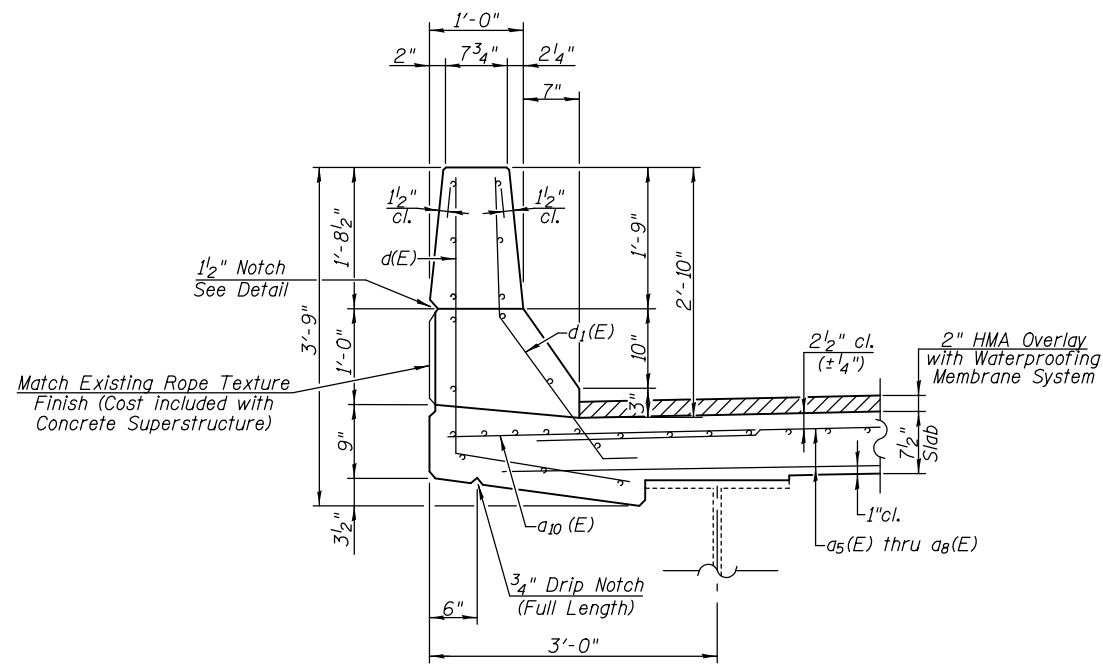
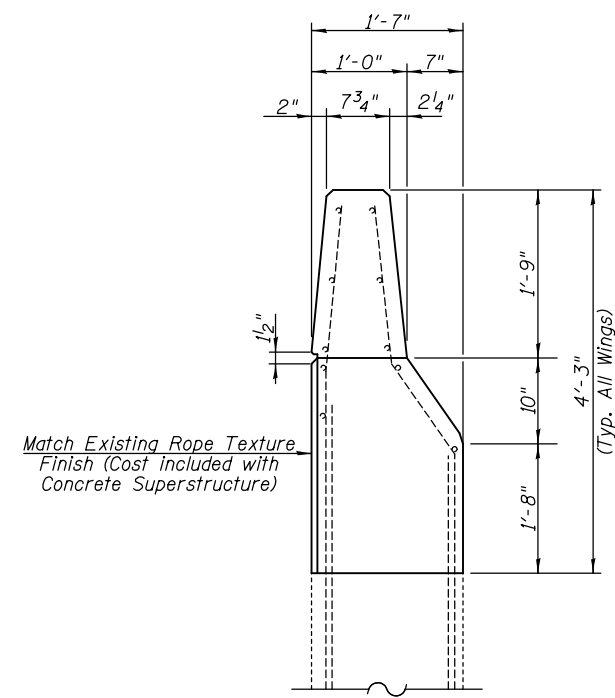


**SECTION A-A**  
(Horiz. dim. at Rt. L's)

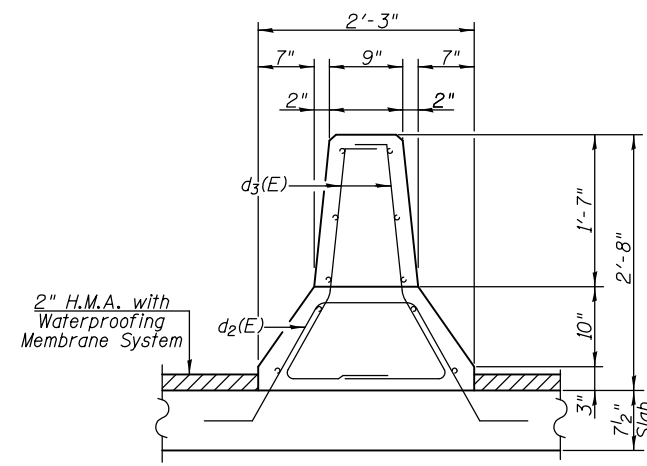


**SECTION THRU PARAPET**

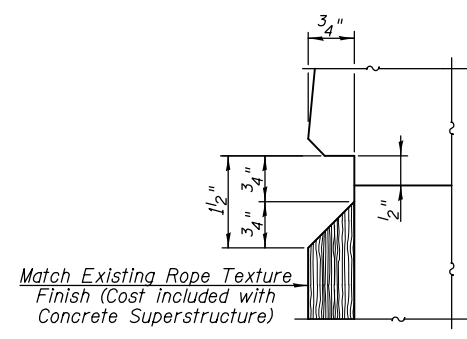
**NOTES**  
All transverse dimensions are measured along the radii of F.A.I. Rt. 255 curves except as noted.  
Dimensions are based on a Rolled Rail Strip Seal Joint. If the Contractor elects to use the Welded Strip Seal Joint, deck dimensions may require adjustments.  
See sheet 17 of 22 for Bill of Material and bar details.



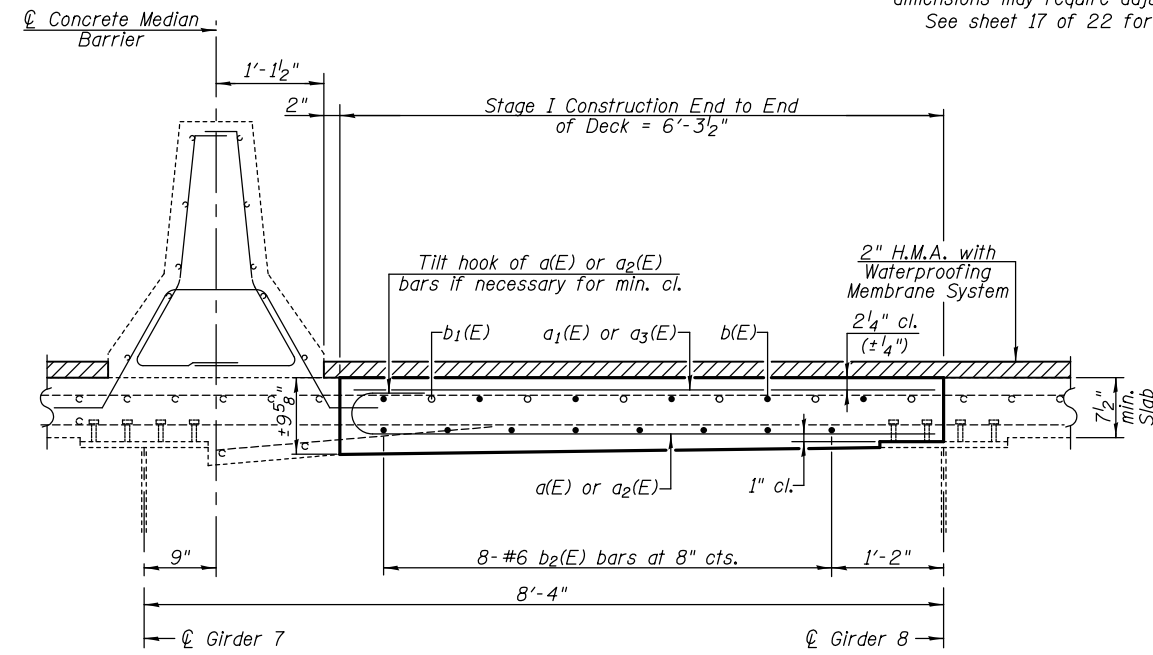
**SECTION THRU WINGWALL**



**SECTION THRU CONCRETE MEDIAN**



**NOTCH DETAIL**



**SECTION B-B**

**SOUTH BOUND LANES - SUPERSTRUCTURE DETAILS**  
S.N. 082-0241 (NB) & S.N. 082-0242 (SB)

FILE NAME =	USER NAME =	DESIGNED -	REVISED -	<p>Allen Henderson &amp; Associates, Inc. Civil and Structural Engineers Springfield, IL 62703 Phone: (217)544-8033 IL Design Firm No. 184-001907</p>	<p><b>SOUTH BOUND LANES - SUPERSTRUCTURE DETAILS</b></p> <p>SHEET NO. 15 OF 22 SHEETS</p>	F.A.I. RTE. 255	SECTION 82-2HB-2-1	COUNTY ST. CLAIR	TOTAL SHEETS 54	SHEET NO. 47		
PLOT SCALE =	DRAWN -	CHECKED -	REVISED -			CONTRACT NO. 76B21		ILLINOIS FED. AID PROJECT				
PLOT DATE =	CHECKED -	REVISED -	REVISED -									