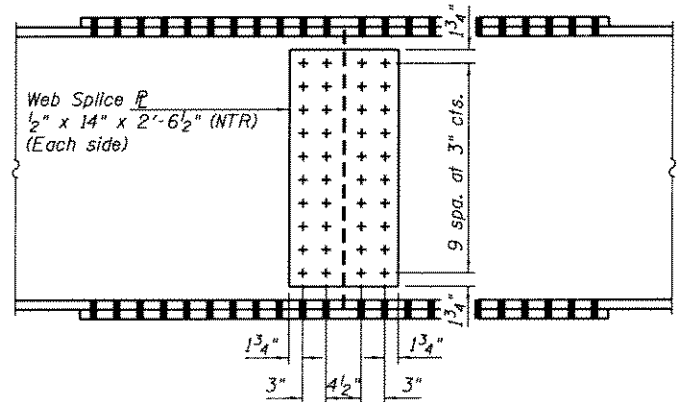
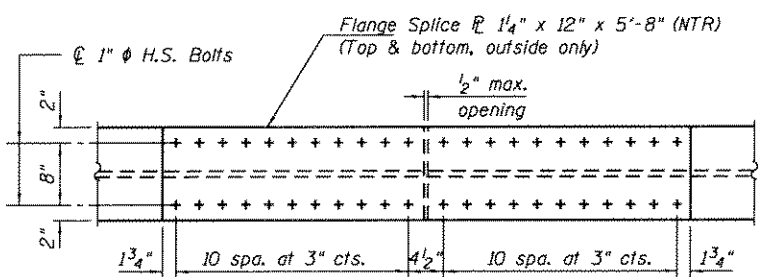
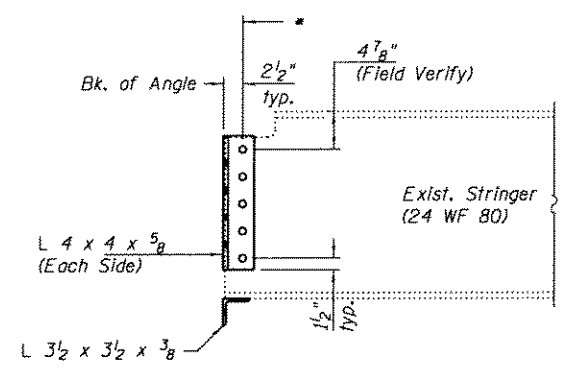


FLOORBEAM ELEVATION

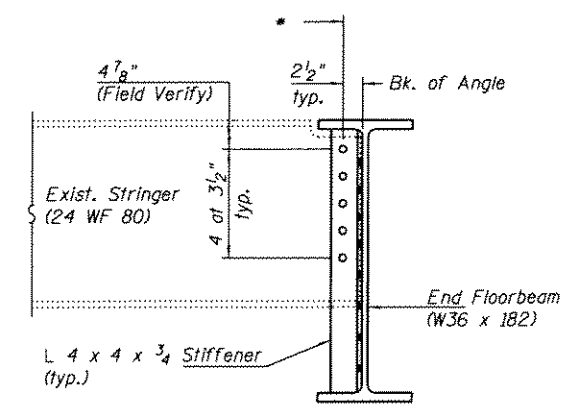


END FLOORBEAM SPLICE
(2 Splices Total)

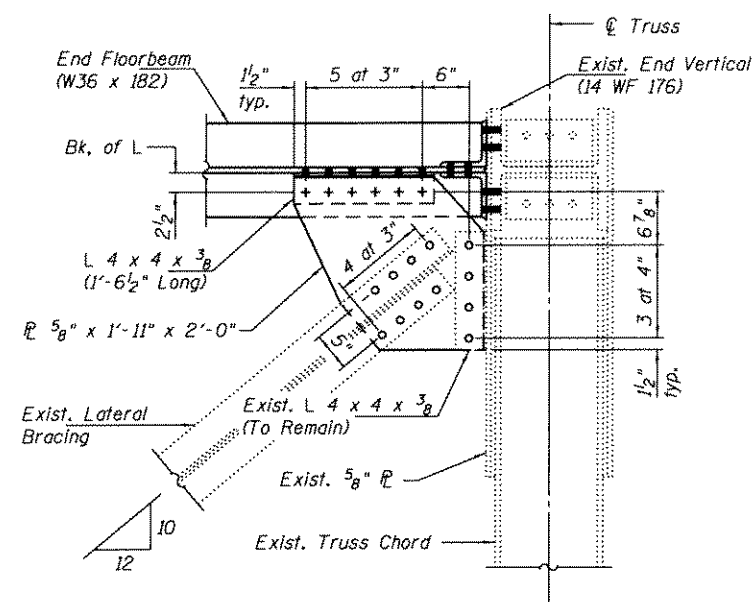


SECTION B-B
(End Floorbeam not shown for clarity)

* 7/8" ϕ H.S. bolts in 1 1/2" ϕ holes. Contractor may use existing rivet holes in stringer as a template.

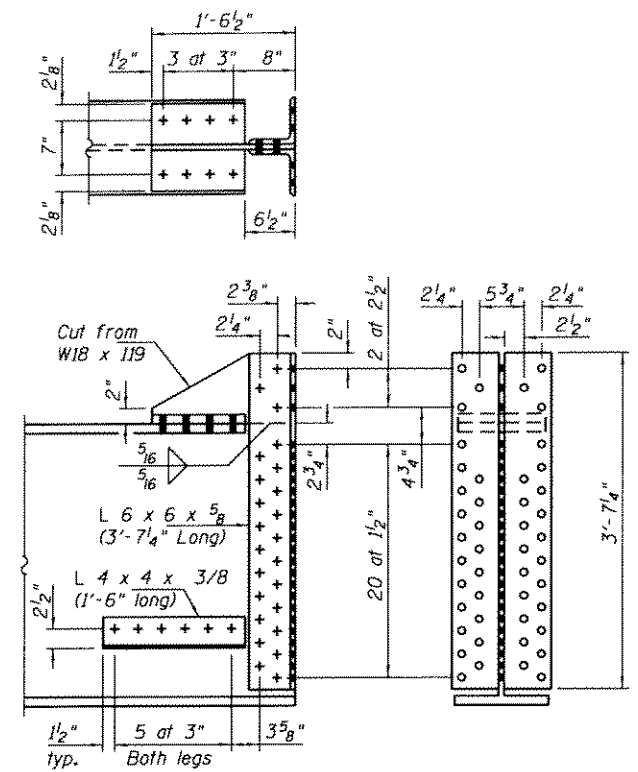


SECTION C-C



SECTION D-D
(Showing Gusset Plate Replacement)

- Notes:
- All splices are symmetrical about ϕ splice.
 - H.S. bolts in floorbeam splice shall be 1" ϕ AASHTO M235 (ASTM A490, Type 1) with threads excluded from the shear plane. All bolts shall be field painted.
 - The Contractor shall field verify the dimensions of the proposed gusset plates, connection angles, and the layout of the fastener holes prior to ordering materials.
 - The Contractor shall field verify the required bolt length and length of threads necessary to install all bolts in accordance with the Standard Specifications.
 - Load carrying components designated "NTR" shall conform to the Impact Testing Requirement, Zone 2.



END FLOORBEAM TO TRUSS CONNECTION

(Truss not shown for clarity, typical each end.)

LEGEND

- New 7/8" ϕ H.S. bolt thru new field drilled 1 1/2" ϕ hole.
- New 7/8" ϕ H.S. bolt thru existing 1 1/2" ϕ rivet hole. (See Note 3)
- ⊙ Existing 7/8" ϕ rivets to remain.
- + New 7/8" ϕ H.S. bolt thru new 1 1/2" ϕ hole. (Except floorbeam splice, See Note 2)

**TWO END FLOORBEAMS
TOTAL BILL OF MATERIAL**

ITEM	UNIT	TOTAL
Structural Steel Repair	Pound	16,730
Temporary Support System	Each	2

design firm
no. 184001036



USER NAME = OPERATOR	DESIGNED - FLL/SBC	REVISED
FILE NAME = 0020077-00000.dgn	CHECKED - CWC/SBC	REVISED
PLOT SCALE = 8/2" = 1" = 16'	DRAWN - FLL/DLH	REVISED
PLOT DATE = 11/14/2012	CHECKED - CWC	REVISED

STATE OF ILLINOIS
DEPARTMENT OF TRANSPORTATION

FLOORBEAM REPLACEMENT DETAILS
STRUCTURE NO. 082-0077

SHEET NO. 18 OF 28 SHEETS

F.A.P. RTE.	SECTION	COUNTY	TOTAL SHEETS	SHEET NO.
817	421 BR-1	ST. CLAIR	43	33
CONTRACT NO. 76F75			ILLINOIS FED. AID PROJECT	