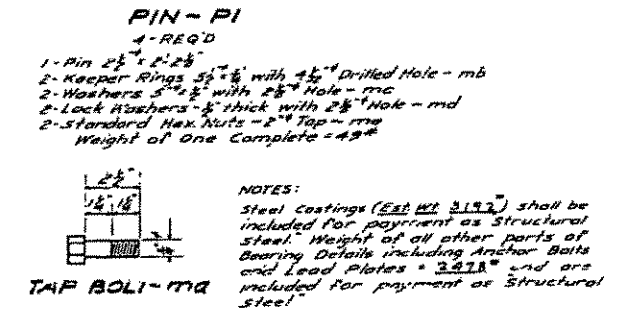
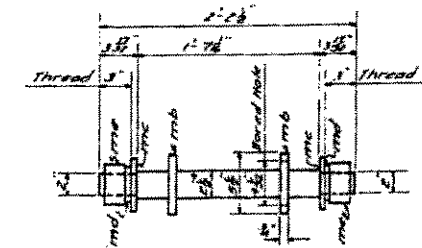
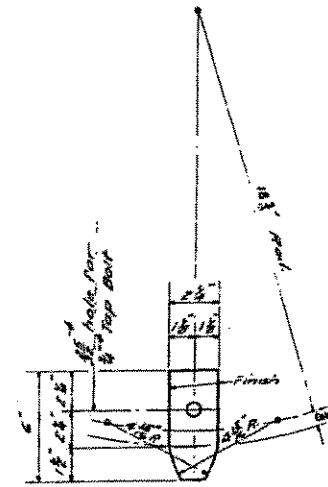
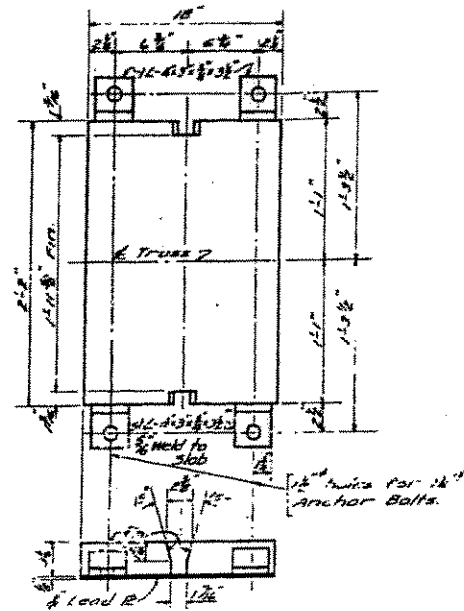
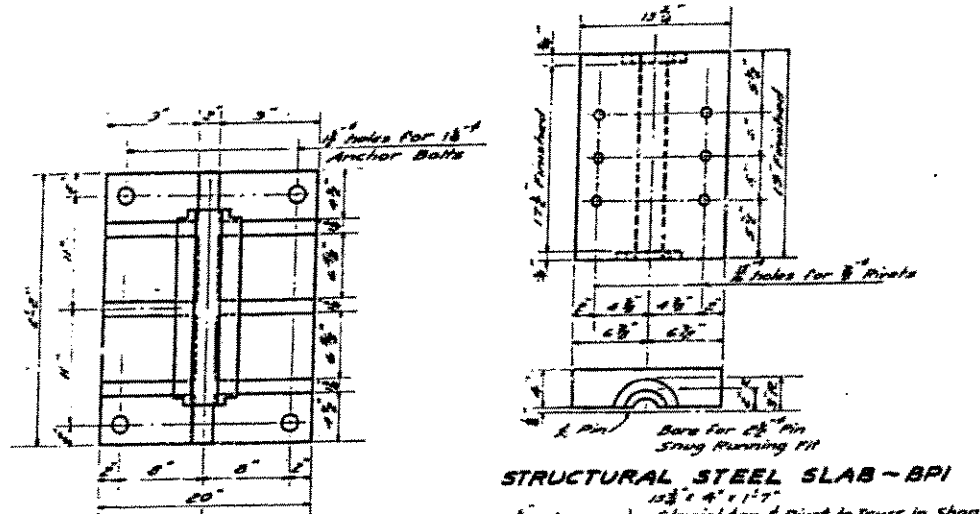
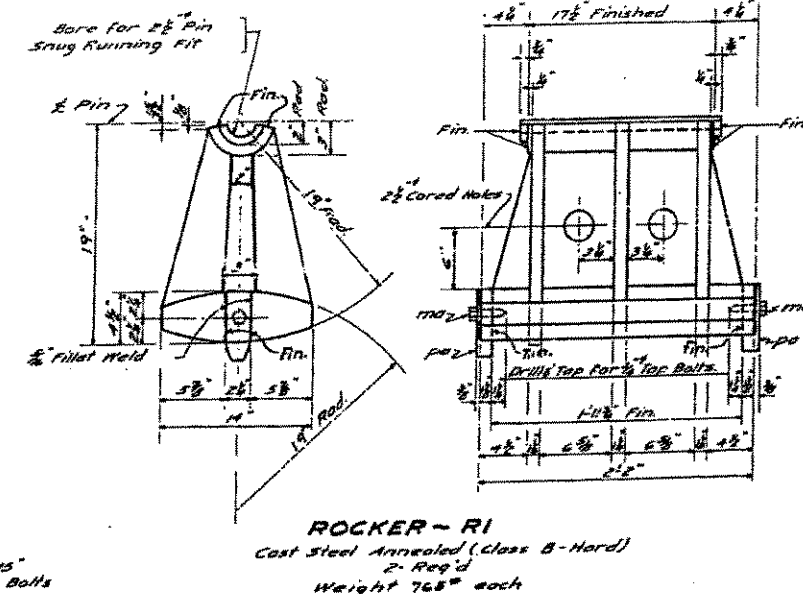
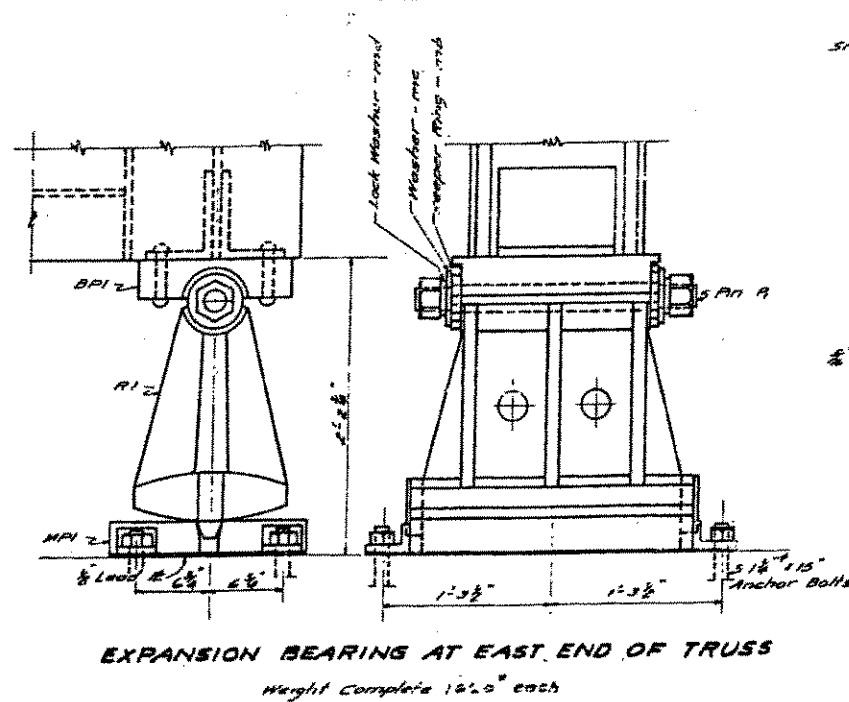
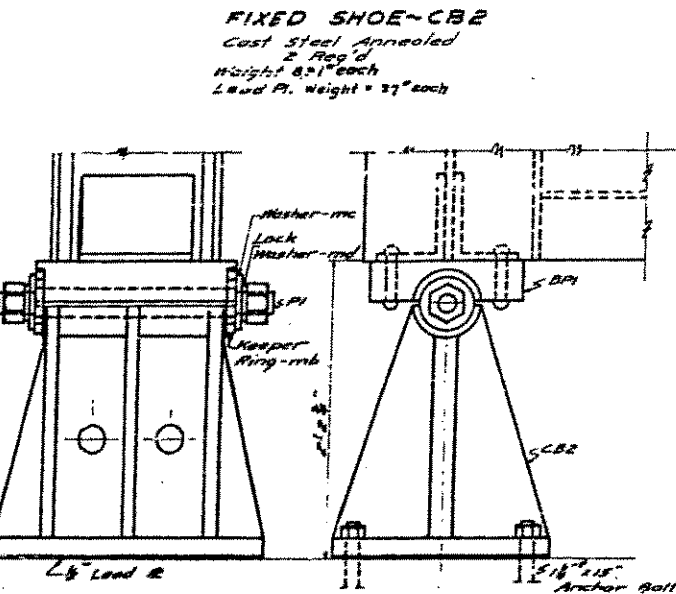
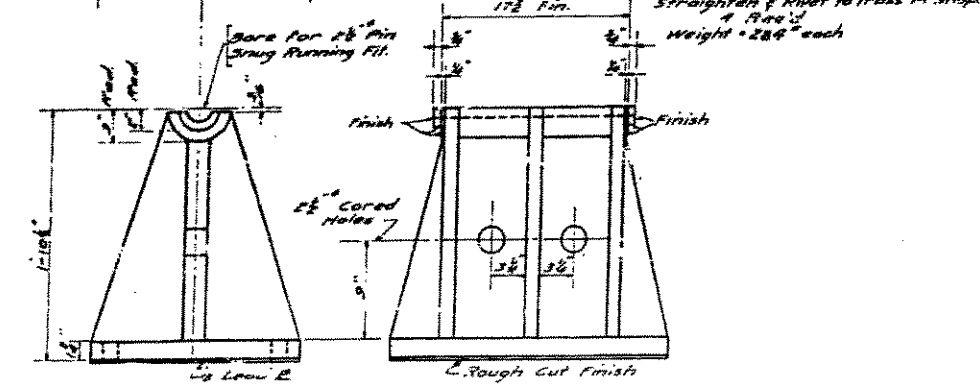


STATE OF ILLINOIS
DEPARTMENT OF PUBLIC WORKS & BUILDINGS
DIVISION OF HIGHWAYS

DATE	NO.	SECTION	COUNTY	SHEET	NO.
PR 68	4578	217	St Clair	41	7
SHEET NO. 5					
20 SHEETS					



Anchor Bolts -
1 1/2" x 15"
12 Req'd.
Weight = 6" each



COMPUTED	F.L. Traver	DATE	8-18-1977
CHECKED	C.C. Wood	DRAWN	L.F. Smith
DESIGN	005 at Union	PASSED	
CHECKED	C.C.W.	APPROVED	

Rev. A-3-66 C.C.W.

Design Firm
no. 184001036
whks
engineers + planners + land surveyors

USER NAME	*OPERATOR*	DESIGNED	FLL/SBC	REVISED	
FILE NAME	892877-88888.dgn	CHECKED	CWC/SBC	REVISED	
PLOT SCALE	0.2" = 1'	DRAWN	FLL/DLH	REVISED	
PLOT DATE	11/14/2012	CHECKED	CWC	REVISED	

STATE OF ILLINOIS
DEPARTMENT OF TRANSPORTATION

EXISTING PLANS
STRUCTURE NO. 082-0077

SHEET NO. 25 OF 28 SHEETS

TRUSS BEARINGS
BRIDGE OVER KASKASKIA RIVER
S.B.I.R.T. 150 (P.A.R.T. 68) SEC. 421-EEF
ST. CLAIR COUNTY
STA. 132+53.67

FOR INFORMATION ONLY

F.A.P. RTE.	SECTION	COUNTY	TOTAL SHEETS	SHEET NO.
B17	421 BR -1	ST. CLAIR	43	40
			CONTRACT NO. 76F75	
ILLINOIS FED. AID PROJECT				