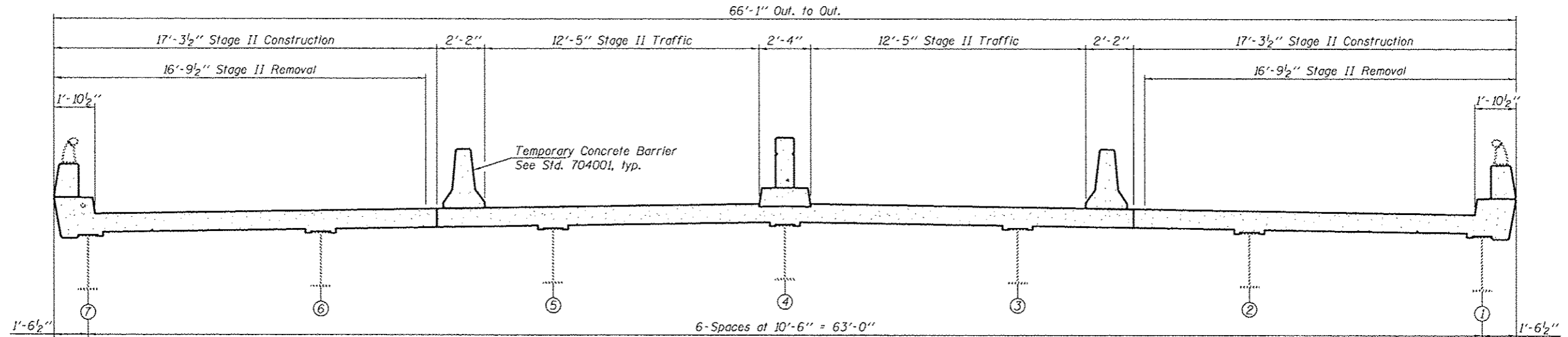


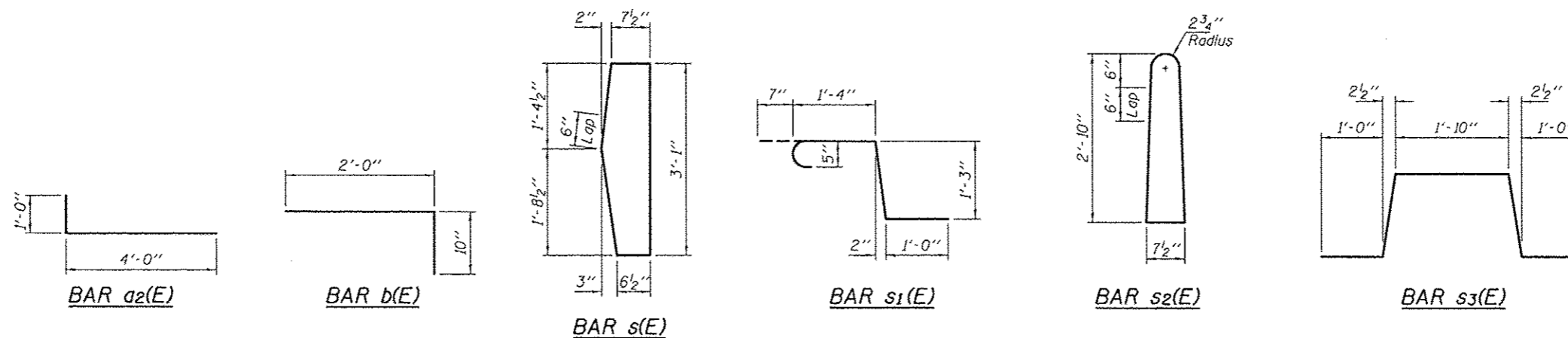
**STAGE I REMOVAL & CONSTRUCTION DETAILS**

(Looking South)



**STAGE II REMOVAL & CONSTRUCTION DETAILS**

(Looking South)



DESIGNED <i>ATH</i>	EXAMINED <i>Timothy A. Anselmi</i>	DATE - MARCH 14, 2013
CHECKED <i>SMR</i>	PASSED <i>ACTING ENGINEER OF STRUCTURAL SERVICES</i>	
DRAWN <i>Kyle M. Steffen</i>	<i>ACTING ENGINEER OF BRIDGES AND STRUCTURES</i>	
CHECKED <i>ATH SMR</i>		

STATE OF ILLINOIS  
DEPARTMENT OF TRANSPORTATION

STAGE CONSTRUCTION DETAILS  
SN 064-0035

F.A.I. RTE.	SECTION	COUNTY	TOTAL SHEETS	SHEET NO.
24	BSMART 2013-1	MASSAC	23	14
CONTRACT NO. 78293				

SHEET NO. 6 OF 15 SHEETS

ILLINOIS FED. AID PROJECT