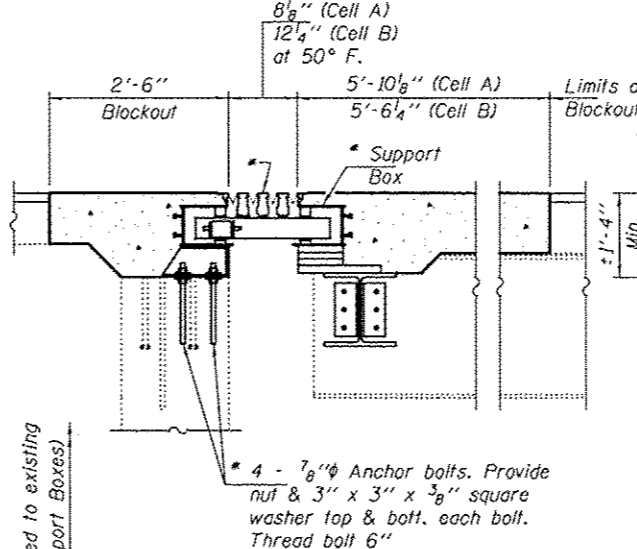


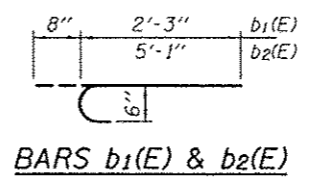
Note A:
No construction equipment or material allowed within 6' of cut after sawcut is made until new concrete pour is cured each stage.

Note:
For Parapet & Median details see sheet 7 of 15.

* Number of rails determined by manufacturer Support Boxes to be rigidly attached to diaphragms, beams and abutment wall by adjustable brackets, stools, or shims as determined by manufacturer.

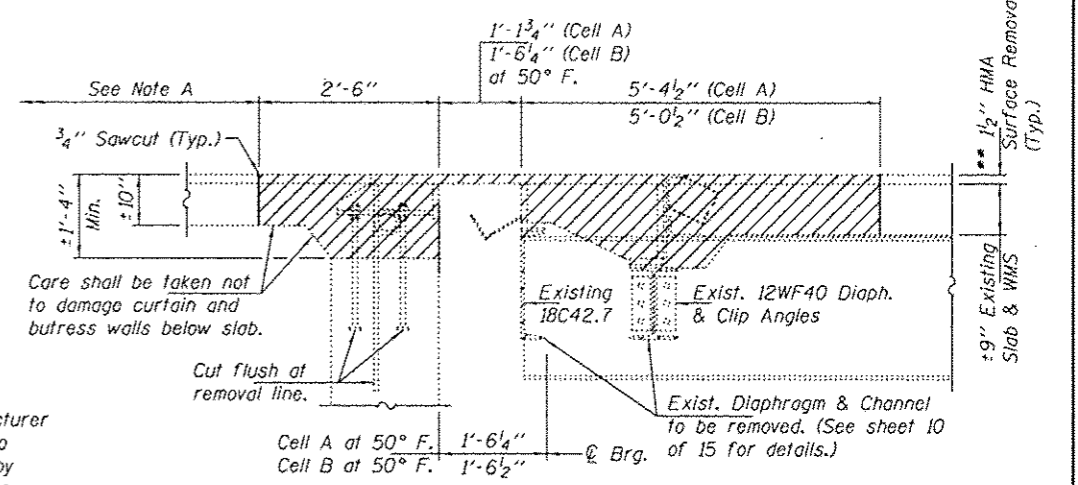


MODULAR JOINT AT CELL A & B
For Reinforcement see Section F-F.

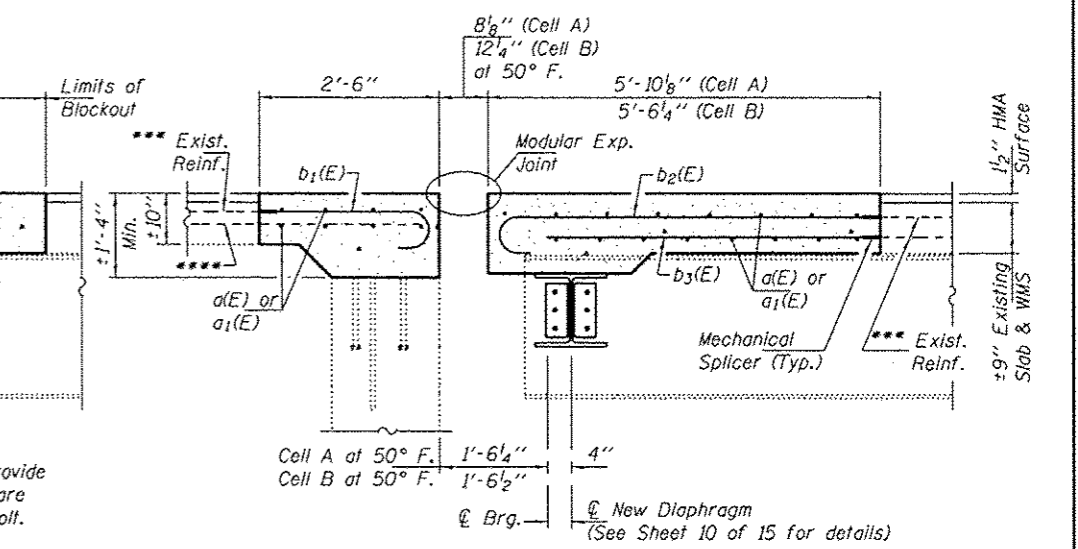


BARS b1(E) & b2(E)

*** Cut existing reinforcement 6" from removal line.
**** Existing reinforcement bars extending into the removal area shall be cleaned, straightened and incorporated into the new construction. Any reinforcement bars that are damaged during concrete removal shall be replaced with an approved bar splicer or anchorage system. Cost included with Concrete Removal.



SECTION E-E



SECTION F-F

** Care shall be taken not to damage the existing Waterproofing Membrane System. Any damage to the WMS shall be repaired at the Contractor's expense.

BILL OF MATERIAL FOR CELL A

Bar	No.	Size	Length	Shape
a(E)	24	#5	31'-3"	—
a1(E)	48	#5	18'-6"	—
a2(E)	48	#5	5'-0"	—
b1(E)	48	#6	2'-11"	U
b2(E)	48	#6	5'-9"	U
b3(E)	48	#6	4'-0"	—
s(E)	24	#5	7'-11"	—
s1(E)	24	#5	4'-3"	—
s2(E)	12	#6	7'-5"	—
s3(E)	12	#6	6'-7"	—
Concrete Removal		Cu. Yd.	26.3	
Concrete Superstructure		Cu. Yd.	27.7	
Bar Splicers		Each	48	
Mechanical Splicers		Each	144	
Reinforcement Bars, Epoxy Coated		Pounds	3430	

BILL OF MATERIAL FOR CELL B

Bar	No.	Size	Length	Shape
a(E)	24	#5	31'-3"	—
a1(E)	48	#5	18'-6"	—
a2(E)	48	#5	5'-0"	—
b1(E)	48	#6	2'-11"	U
b2(E)	48	#6	5'-9"	U
b3(E)	48	#6	4'-0"	—
s(E)	24	#5	7'-11"	—
s1(E)	24	#5	4'-3"	—
s2(E)	12	#6	7'-5"	—
s3(E)	12	#6	6'-7"	—
Concrete Removal		Cu. Yd.	25.2	
Concrete Superstructure		Cu. Yd.	26.7	
Bar Splicers		Each	48	
Mechanical Splicers		Each	144	
Reinforcement Bars, Epoxy Coated		Pounds	3430	

DESIGNED ATH
CHECKED SMR
DRAWN Kyle M. Steffen
CHECKED ATH SMR

EXAMINED
PASSED
ACTING ENGINEER OF BRIDGES AND STRUCTURES

DATE MARCH 14, 2013

STATE OF ILLINOIS
DEPARTMENT OF TRANSPORTATION

MODULAR EXPANSION JOINT DETAILS
SN 064-0035

SHEET NO. 9 OF 15 SHEETS

F.A.I. RTE. SECTION COUNTY TOTAL SHEETS SHEET NO.
24 BSMRT 2013-1 MASSAC 23 17
CONTRACT NO. 78293
ILLINOIS FED. AID PROJECT